



RC BRAKE PAD 07KA13RC

The 07KA13RC brake pad is synonymous with reliability

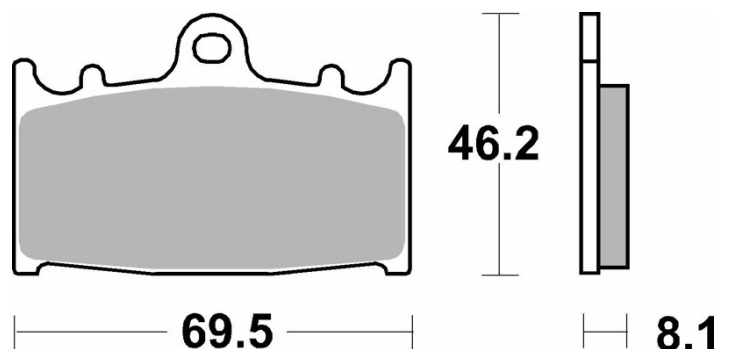
A compound designed solely for track use, a true racing pad ideal for all types of competition. The main characteristics of this compound are high friction and consistent performance, especially at high disc temperatures. These properties ensure excellent and uniform braking, making fading less likely to occur. The efficiency of this compound is limited at low temperatures and, consequently, it is not type-approved for road use.

- ✓ Brembo quality
- ✓ Safety
- ✓ Performance
- ✓ Comfort
- ✓ Sports driving



Technical specifications

Width	Height	Thickness
0 mm	46 mm	8 mm
Compound	Units per box	
Carbon ceramic	2	



COMPATIBLE VEHICLES