



# CC BRAKE PAD 07HO2807

The 07HO2807 brake pad is synonymous with reliability

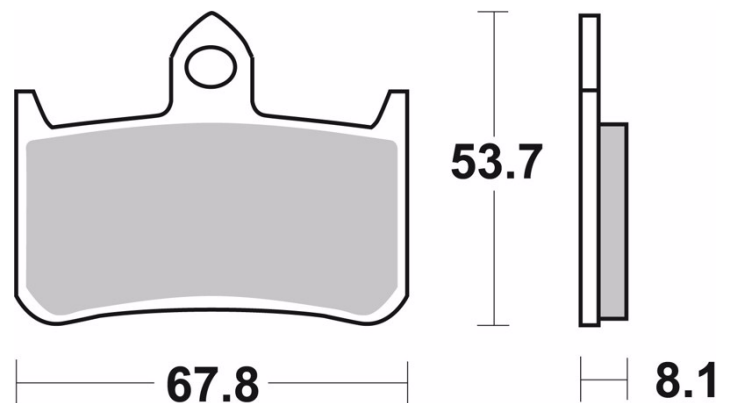
the evolution of the organic compound, using more carbon. High mileage, excellent hot and cold performance, in dry and wet conditions alike

- ✓ OE-equivalent
- ✓ Brembo quality
- ✓ ECE-R90 certificate
- ✓ Safety
- ✓ Comfort
- ✓ Durability



## Technical specifications

Width	Height	Thickness
<b>0 mm</b>	<b>54 mm</b>	<b>8 mm</b>
Compound	Units per box	
<b>Carbon ceramic</b>	<b>2</b>	



COMPATIBLE VEHICLES