

# ME 35

## supercardioid installed sound microphone

### FEATURES

- Supercardioid capsule for universal miking
- Low noise and large transponse range
- Smooth response across all frequencies
- Gold plated contact points for Maintenance-free long term operation
- Large range of high quality goosenecks and mounting options

The ME 35 is a permanently polarized condenser microphone capsule for use with Sennheiser MZH goosenecks. This supercardioid capsule achieves an optimum background noise rejection and is suitable for a very wide range of applications including: conference, public address, studio, broadcast, video and others.



### ARCHITECT'S SPECIFICATIONS

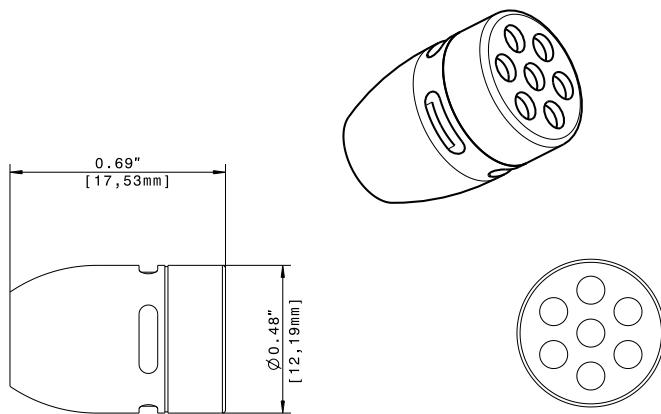
A gooseneck microphone for speech transmission shall be modular and streamlined in appearance. The microphone provides a supercardioid characteristic and shall be powered with 12 to 48V phantom powering. The microphone shall cover a frequency range of 50Hz to 20kHz, the equivalent noise level must not exceed 26 dB weighted A. For connection with Sennheiser MZH goosenecks a high quality screw thread shall be provided. The electrical contact points shall be gold plated. The housing of the microphone shall be made from metal, finished with a non reflective black coating. Various mounting options and goosenecks shall be available. The microphone shall be Sennheiser ME 35.

### TECHNICAL DATA

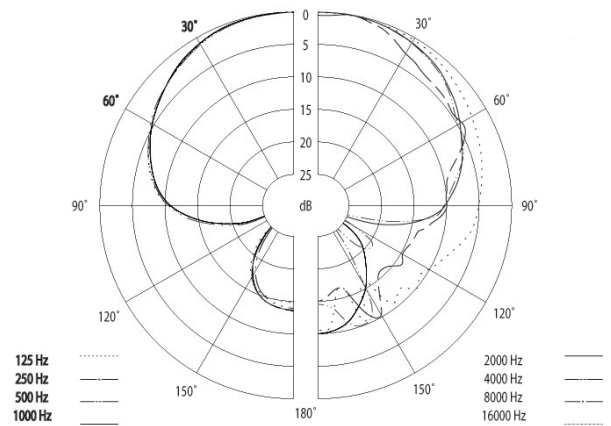
Transducer principle.....	pre-polarised condenser microphone
Acoustics .....	supercardioid
Frequency response .....	50Hz - 20 kHz
Impedance.....	50 Ohm
Minimal terminating impedance .....	1 kOhm
Maximum sound pressure level .....	130 dB SPL
Equivalent noise level .....	26 db (A)
Equivalent noise level weighted as per CCIR 468-3 .....	37 dB
Phantom powering.....	P12 - P48 V
Current consumption .....	250 µA
Weight .....	9g (3 oz.)
Dimensions .....	ø 12 x L18 mm (ø 0.47" x 0,71")
Coating.....	matte black
Delivery includes.....	ME 35 microphone MZW 34 windshield

# ME 35 supercardioid installed sound microphone

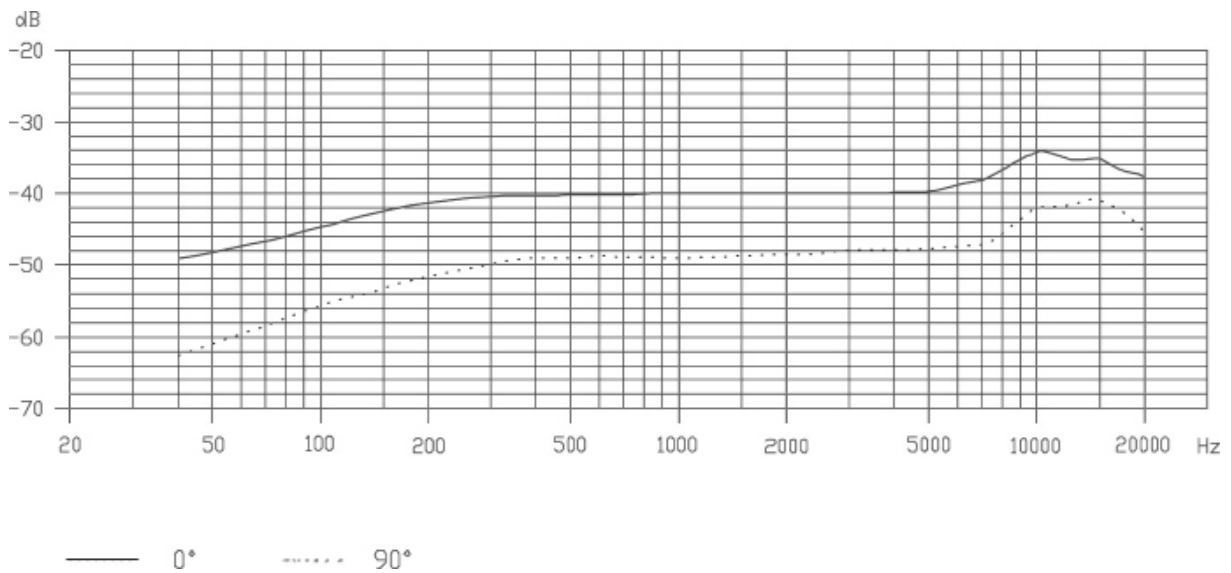
## DIMENSIONS



## POLAR PATTERN



## FREQUENCY RESPONSE



## PRODUCT VARIANTS

ME 35, black	Cat.No. 005063
ME 35 NX, Nextel grey	Cat.No. 500817
ME 35 W, white	Cat.No. 005064

## RECOMMENDED ACCESSORIES

MZH gooseneck series: MZH 3015, MZH 3040, MZH 3042, MZH 3062, MZH 3072

Sennheiser electronic GmbH & Co. KG  
Am Labor 1, 30900 Wedemark, Germany  
www.sennheiser.com

 **SENNHEISER**