

SWIMMING-POOL HIPPOCAMPE LEISURE WHEELCHAIR



Instructions for use and assembly

FRAMEWORK FOR USING

The Hippocampe is a swimming-pool wheelchair that must be only used in this area. It was not made to be used for outdoor activities.

The Hippocampe can be used alone or accompanied.

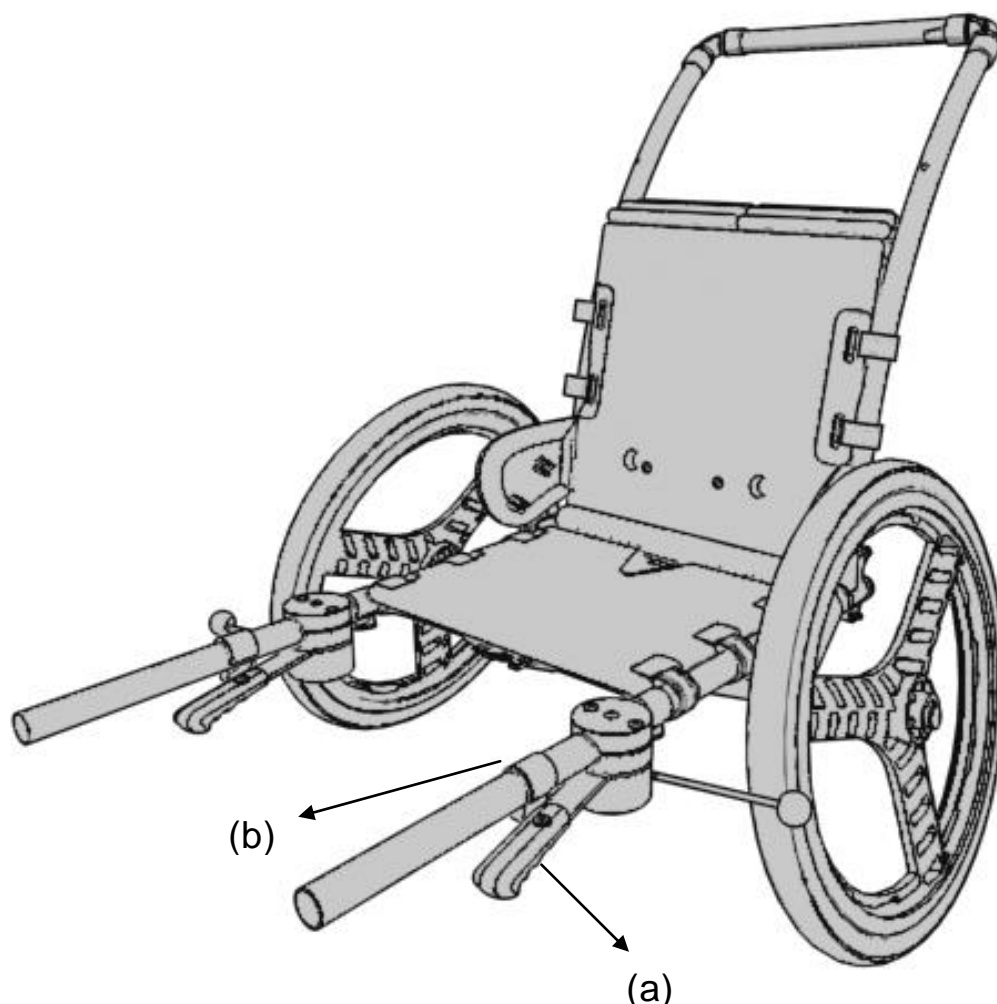
The Hippocampe is designed for disabled people.

FIRST USE

As a standard wheelchair, the usage of the Hippocampe requires you a little time to feel at ease.

The rear wheels are used as handrail.

Use the brakes to block the wheels for transfers. The stainless steel rod must block the wheels and the handle in polyethylene (a) must be blocked by the cam cleat (b).



SEAT MOUNTING

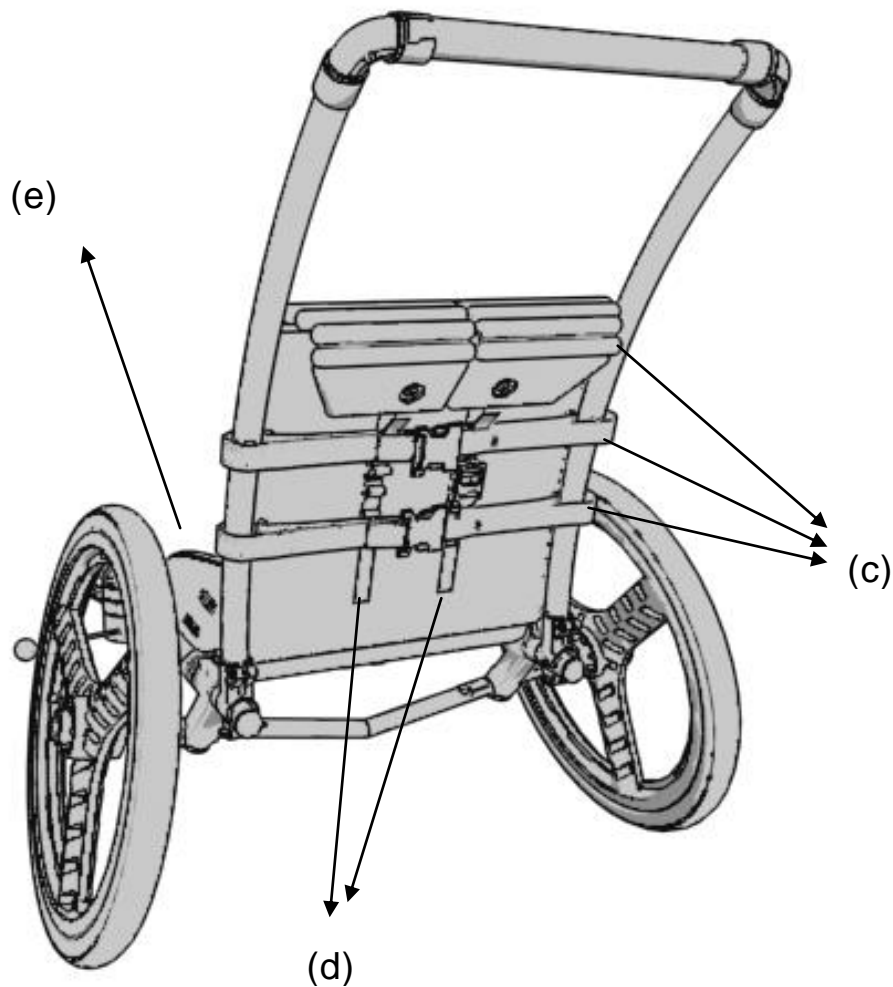
1 – Fasten the 3 horizontal straps of the backrest in making sure that they are well taut. **(c)**

2 – Tighten the 2 vertical straps of the top of the backrest. **(d)**

3 – Pass the small strap in the holes of the seat wings, pass it in the cam cleat and then in the removable buckle.

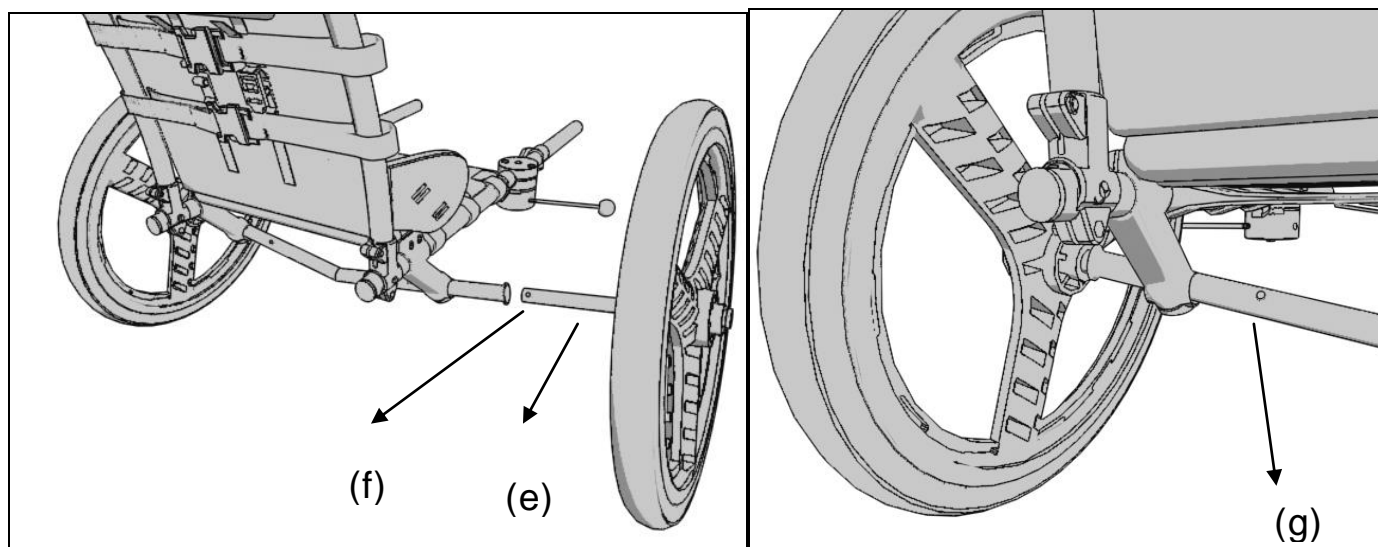
The strap must be taut to ensure a safe lateral support and to avoid that the buckle and the wing rub on the wheels. **(e)**

Important: Before each use you must ensure that the buckles are fastened and the straps well taut.



WHEELS MOUNTING

- 1 – Insert the wheel half-axle on the rear frame axle. **(e)**
- 2 – Press the clip **(f)** and insert fully the half-axle in the rear frame axle.
- 3 – Turn the half-axle to clip it in the drill hole of the rear frame axle. **(g)**



MAINTENANCE

- 1 – Rinse well the Hippocampe with fresh water after each use.

USUAL PRECAUTIONS

- 1 – This wheelchair is designed to facilitate the access to the indoor pool.
- 2 – This wheelchair is designed to support a maximum user weight of 130 kgs.
- 3 – Before each use, be sure that the wheels are well locked, the straps well taut, and the buckles well locked too.
- 4 – Some tests may be necessary before a good use of the Hippocampe.
- 5 – This is forbidden to be more than one person or to stand on the Hippocampe.
- 6 – This is forbidden to change the structure of the product.
- 7 – Only an adult having “the abilities” will be able to push or pull the Hippocampe.
- 8 – Avoid braking with hands when going down slopes due to the risk of warming and small wounds.
- 9 – Do not move the wheelchair in the case of tilting steeper than 15%.
- 10 – Do not try to cross the obstacles of more than 10 cm.
- 11 – Avoid passing under obstacles with the wheelchair.
- 12 – The seat is flammable (M1 Norm).
- 13 – This is forbidden to use the wheelchair in not listed conditions.
You must not continue to drive in case of a puncture.
- 14 – You must be accompanied when there is a slope or obstacles.

The Hippocampe may be used by whoever with or without disability to play safely if the conditions above are satisfied.

WARRANTY

This product is guaranteed **one year** “parts and labor” from purchase date (date of the invoice).

The warranty allows you to replace only the defect pieces. This warranty is not applicable in case of noncompliant use, and does not take into account the wear on parts due to the normal use of the wheelchair.

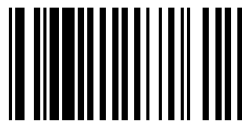


VIPAMAT

3 rue Gustave Eiffel
56 270 PLOEMEUR – France

Tel : +33 (0)2 97 86 24 87
Fax : +33(0)2 97 86 73 81

Email : contact@vipamat.com
www.vipamat.com



SARL with a capital of 40 000€ - Siret 44242884300035 – Code APE 3092 Z

