

TAP-IT-PLUS Hammer-in fixing for plasterboard with screw

Driven metal fixing for easy installation in plasterboard



Product information

Features and benefits

- Steel fixing for light weights
- Simple installation due to introductory thread
- Corrugated tip simplifies installation without drilling
- Expanding construction of the fixing prevents from its spin in the substrate during installation
- Flat head enables leveling fixing with the surface of the substrate
- Simple uninstallation without harming the substrate

Applications

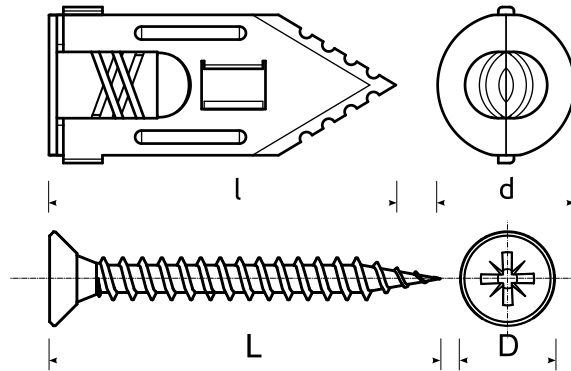
- Light shelving
- Pictures
- Towel rails
- Brackets, grips and hooks

Base materials

Approved for use in:

- Plasterboard

Product information



Product Code	Plug		Screw	
	Diameter	Length	Diameter	Length
	d	l	D	L
	[mm]			
R-GPB-PLUS	10.5	30	4	40

Product commercial data

Product Code	Plug	Screw	Quantity [pcs]			Weight [kg]			Bar Codes
	Diameter [mm]	Length [mm]	Box	Outer	Pallet	Box	Outer	Pallet	
R-GPB-PLUS	10.5	40	100	1600	38400	0.42	6.8	192.4	5906675235615