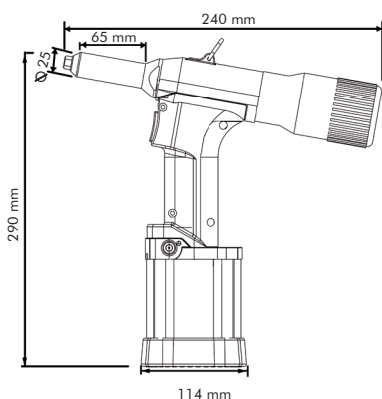


PNEUMATIC RIVETING TOOL BNT-4

REMACHADORA NEUMÁTICA BNT-4

English	Español	Français	Deutsch	Portugues
Riveting tool	Remachadora	Outil de pose	Blinnietzange	Rebitadora
for rivets	para remaches	pour rivets	Blindniete	para rebites

2000 gr.



REFERENCE	ARTICLE
BNT-4	02BNT4010

RIVET Ø m/m	MATERIALS			
	Aluminium	Steel	Inox	Copper
4,8	*	✓	✓	✓
5,0	*	✓	✓	✓
6,0 - 6,4	✓	✓	✓	✓
6,4 Hardlock	***	***	***	
4,8 Hardgrip		✓	✓	
6,0 Hardgrip		✓	✓	
4,8 Structural	*	*	*	
6,5 Structural	**	**	**	
5,2-6,4 S-Trebol	*			
7,5 S-Trebol	**			

* It needs special nosepiece that is supplied as accessory.

** It needs special nosepiece and jaws that are supplied as accessories.

*** It needs special jaws that are supplied as accessory.



The total or partial reproduction of this document is prohibited. The figures showed in this catalogue are typical values and they could be changed as a result of the continuous improvement of products. Please, do not hesitate to contact us if you need an updated information. Queda prohibida la reproducción total o parcial de este documento. Los datos que aparecen en este catálogo son valores típicos y están sujetos a modificaciones como consecuencia de la mejora continua de los productos. Consúltenos si necesita información actualizada.