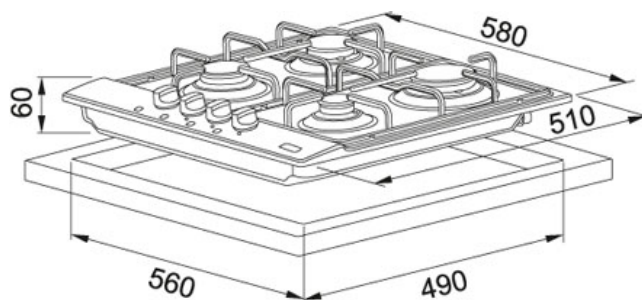


Stainless Steel | 106.0489.620



FAMILY : Hobs | FINISH : Stainless Steel | INSTALLATION TYPE : Built-in Gas Hobs | INSTALLATION TYPE : Inset | SERIE : New Linear | MODEL : FHNL 604 4G XS E



TECHNICAL DATA

Number of Burners	4
Length overall	580.00 mm
Width overall	510.00 mm
Cutout Length	560.00 mm
Cutout Width	490.00 mm
Width Hob in cm	60.00 cm
Safety valve	Yes

FEATURES

	Incorporated electronic ignition		Safety valve
---	----------------------------------	---	--------------