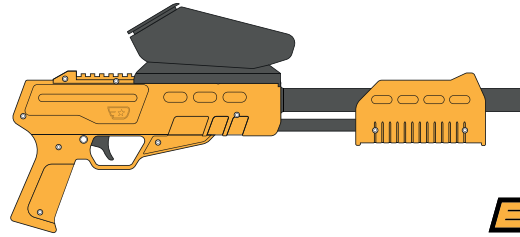


BLASTER SHOTGUN USER'S MANUAL



BLASTER

⚠ WARNING:

Paintball markers are not toys. Not to be used by persons under the age of 8. Misuse or careless use may cause serious injury, especially to the eye. Full eye protection designed for paintball markers must be worn by the user and any person within range. Adult (age 18+) supervision is required. May be dangerous up to 50 yds [45.72m].

Read and understand all cautions, warnings, and operating manuals before using any paintball gun or paintball marker accessory.

⚠ WARNING:

Do not brandish, change the color or display this or any paintball marker in public, it may confuse people and may be considered a crime. Police and others may think it's a firearm. Your paintball marker was designed to work with **EXE branded paintballs**. Use of other paintballs may cause your gun to malfunction and may void your warranty. Buyer and user have the duty to obey all laws about the use and ownership of this paintball marker. Use common sense and have fun.

⚠ WARNING:

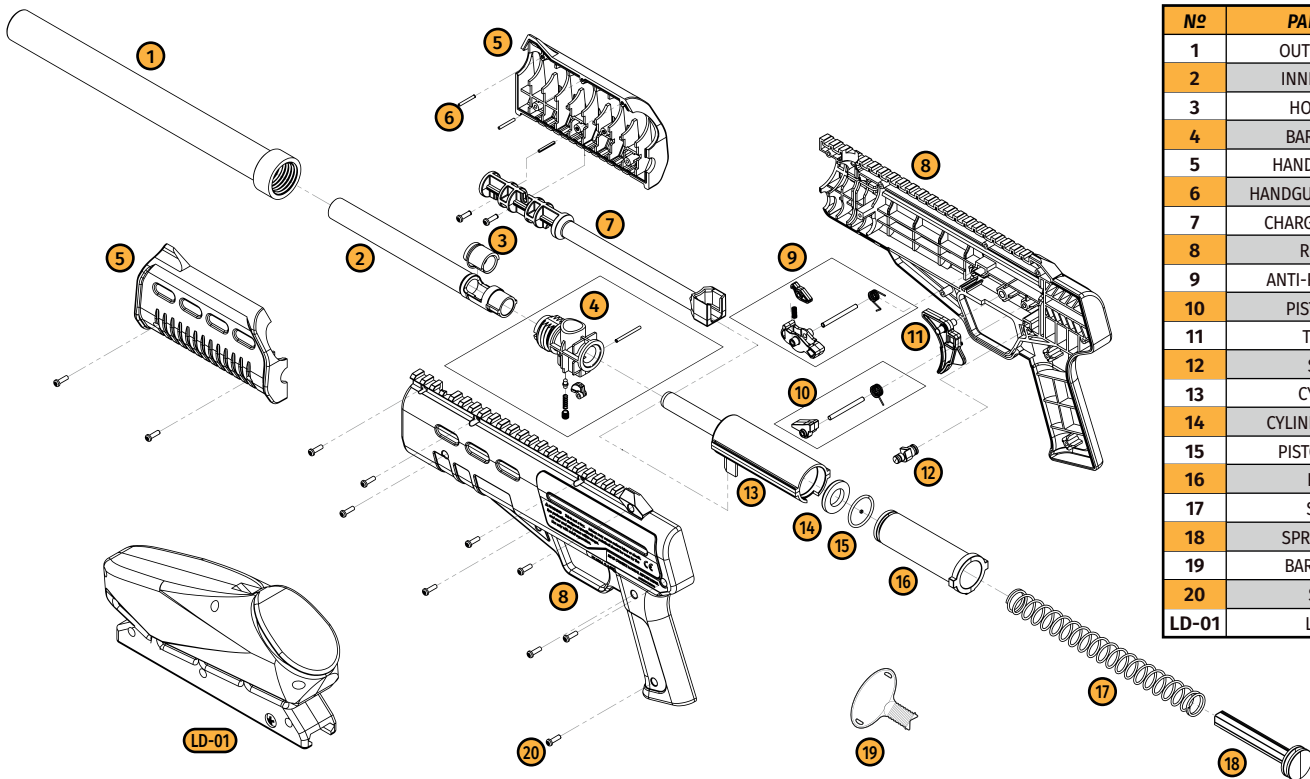
This product may contain one or more chemicals known to the state of California to cause cancer and birth defects or other reproductive harm. Wash hands after handling. You must be at least 18 years of age to purchase this product. This product may be mistaken for a firearm by law enforcement officers or others.

HANDLING

- Handle and operate the paintball marker safely.
- Select safe and proper targets.
- Care for and maintain the marker properly.
- Treat every paintball marker as if it were loaded. Using a barrel plug is strongly advised.
- Always wear eye protection designed for paintball markers when handling or shooting or in range of any paintball marker, and wear them over prescription glasses.
- Keep your finger out of the trigger guard and away from the trigger until you are ready to shoot.
- Never point the paintball marker at anything you do not wish to shoot.
- Keep the paintball marker on "SAFE" until ready to shoot.
- Avoid ricochet. Never shoot at a hard or flat surface or at water.
- Store the marker unloaded in a safe and proper manner, and check to see that the marker is unloaded when removed from storage or received from another person.
- Paintball nets should be inspected for wear before and after each use. Discontinue use if the mesh shows signs of failure. Since net surfaces eventually fail, always place them in a safe location. Discontinue the use of a paintball net if the projectile rebounds or ricochets.
- Perform routine inspection and maintenance including:
 - **The paintball marker was modified internally.** Modification of the paintball marker's internal mechanisms may cause it to malfunction. Such tampering with a paintball marker may make it unsafe to use.
 - **The paintball marker suddenly operates differently.** Any change in the performance, such as lowered trigger force and shortened trigger travel, grinding, or severely lowered FPS indicates possible wear and that such guns should be inspected. Repairs should only be performed by qualified personnel.
 - **The paintball marker is dropped or externally damaged.** Check any paintball marker that has been dropped to ensure that its function has not been affected.

PARTS

Visit www.fieldpb.com for detailed informations



Nº	PART NAME
1	OUTER BARREL
2	INNER BARREL
3	HOP-UP SET
4	BARREL BASE
5	HANDGUARD SET
6	HANDGUARD PIN (1pcs)
7	CHARGING HANDLE
8	RECEIVER
9	ANTI-REVERSE SET
10	PISTON LOCK
11	TRIGGER
12	SAFETY
13	CYLINDER
14	CYLINDER RUBBER
15	PISTON O-RING
16	PISTON
17	SPRING
18	SPRING GUIDE
19	BARREL PLUG
20	SCREW
LD-01	LOADER



SAFETY

The Safety button should be engaged at all times when the shotgun is not being fired.

- To **engage** the Safety, push the **PUSH SAFE** button. **A**
- To **disengage** the Safety, push the **PUSH FIRE** button. **E**

INSTALL BARREL PLUG

- Ensure the Safety is engaged before installing the barrel plug. **A**
- Insert the Barrel Plug into the barrel and press firmly until you achieve a tight fit. **B**

REMOVE BARREL PLUG

- Ensure the Safety is engaged before removing the barrel plug. **A**
- Pull the Barrel Plug out of the barrel. **C**

⚠ WARNING:

The Barrel Plug device should be installed at all times until ready to fire. Always wear paintball designed and certified eye protection while playing.

HOW TO INSTALL THE LOADER

- Find the Loader guide and slide it over the body and onto the rail and push it on **until the end**. **D**
- Tighten the set screw to lock the Loader in place.

HOW TO FIRE THE SHOTGUN

Always keep your Shotgun pointed in a safe direction!

Make sure the Safety is on and that the Barrel Plug is installed before following the steps below: **A B**

1. Fill the loader with EXE .50 caliber paintballs. Approximately 100 paintballs.
2. Remove the Barrel Plug. **C**
3. Pull the pump handle all the way towards the marker body until you hear a click. **F**
4. Push the pump handle forwards, towards the end of the barrel until it stops. **G**
5. **DISENGAGE THE SAFETY.** **E**
6. Pull the trigger to fire.
7. After the first shot is fired, pump again. Repeat this for each shot.

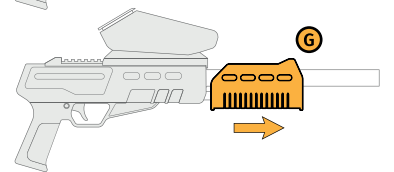
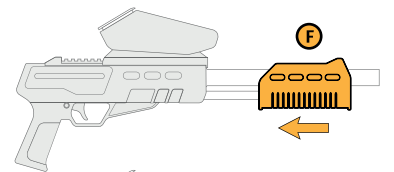
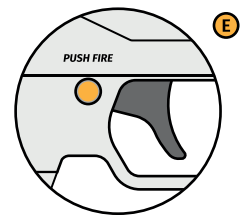
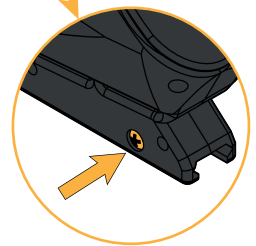
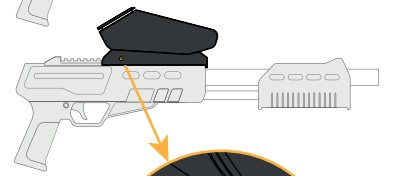
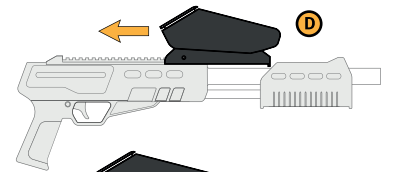
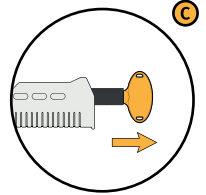
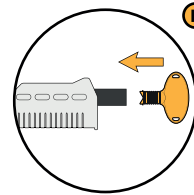
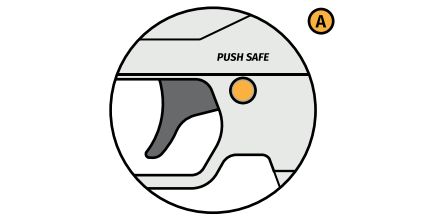
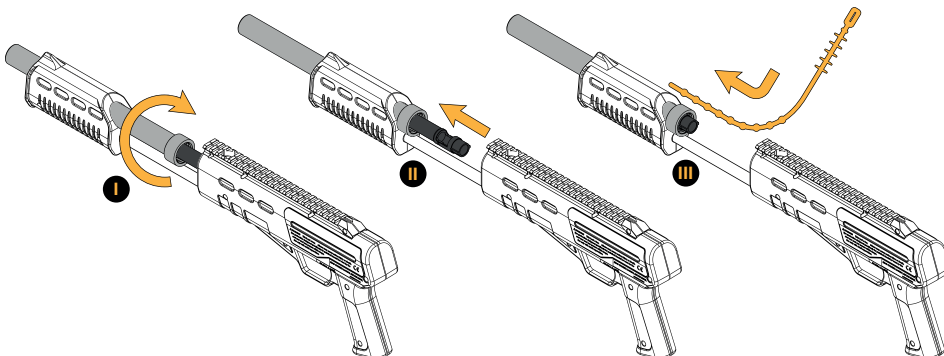
⚠ WARNING:

Always use EXE branded paintballs to ensure best function.

HOW TO CLEAN THE BARREL

Ensure safety is engaged and remove the loader.

- Unscrew the barrel and push it forward. **I**
- Unplug the inner barrel. **II**
- Pull the Squeegee through the barrel and repeat if necessary. **III**



MADE IN TAIWAN

