

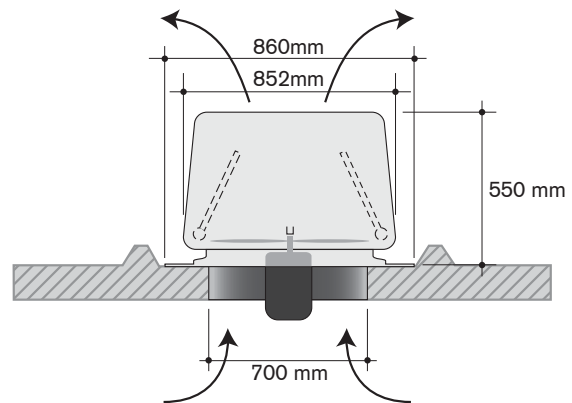


# Ventilator INDUSTRIAL

Integration on roofs of various materials

**Description:** High performance industrial fans with the ability to integrate into any kind of coverage.

- Automatic blinds successfully, integral airflow.
- Anti-vibration mount.
- Unalterable and fire-resistant color.
- Shutter two shutters fiberglass, which automatically opens with the start of the fan and closes by gravity when the stop, preventing the entry of rain and dust.
- Turbine in high yield polypropylene, unchanging and unsalable in contact with acids.
- 400AC electric motors, with protection
- IP55 mechanical and isolation class F.
- Simple mounting on all types of roofs.
- Maximum operating temperature 50 ° C



Model	Turbine	Flow	R.P.M	Power	Tension	Weight
VT1	600 mm	9650 m <sup>3</sup> /h	900	0,5 Cv	400AC	35 Kg



Construction kit:



**Factory:** Travessa da Zona Industrial - I, n° 95 Rossio, 3730-601 Vila Cova do Perrinho, Vale de Cambra.

**Tel. (+351) 256 472 888**  
**Fax: (+351) 256 425 794**  
**Email: comercial@chatron.pt**  
**Url: www.chatron.pt**

Distribuidor: