

EV-T2G3PC-3AC32A-5,0M6,0ESBK01 - AC charging cable



1627692

<https://www.phoenixcontact.com/pt/produtos/1627692>

Note que os dados aqui indicados foram obtidos a partir do catálogo online. Para informações e dados completos, consulte a documentação do utilizador. Aplicam-se as condições gerais de utilização para downloads da Internet.



CHARX connect comfort, Mobile AC charging cable, with vehicle charging connector and infrastructure charging plug, for charging electric vehicles (EV) with alternating current (AC) via type 2 vehicle charging inlets, with protective cap, Type 2, IEC 62196-2, housing: black, gray, PHOENIX CONTACT logo, cable: 5 m, black, straight

Descrição do produto

Mobile AC charging cable with vehicle charging connector and infrastructure charging plug for charging electric vehicles (EV) with alternating current (AC) via type 2 vehicle charging inlets, compatible with type 2 infrastructure charging sockets at charging stations for e-mobility (EVSE)

Vantagens

- Complete product range
- Convenient handling due to the ergonomic, triple award-winning design
- Available with your logo on request – for consistent branding of your charging station
- Longitudinal water tightness reliably prevents water ingress
- Developed and produced in accordance with the IATF 16949 automotive standard and ISO 9001
- Tested in accordance with automotive standards LV124, LV214, and LV215-2
- Tested in accordance with EV Ready 37 requirements
- Laser-marked mating face in accordance with DIN EN 17186

Dados comerciais

N.º de artigo	1627692
Pcs./Emb	1 Unidade
Quantidade mínima de pedido	1 Unidade
Chave comercial	XWB
Chave de produto	XWBAEC
Página de catálogo	Página 29 (C-7-2019)
GTIN	4063151785789
Peso por unidade (inclusive embalagem)	2 709 g
Peso por unidade (excluindo embalagem)	2 709 g
Número do imposto alfandegário	85444290
País de origem	PL

EV-T2G3PC-3AC32A-5,0M6,0ESBK01 - AC charging cable



1627692

<https://www.phoenixcontact.com/pt/produtos/1627692>

Dados técnicos

Product properties

Product type	AC charging cable
Product family	CHARX connect comfort
Application	for charging electric vehicles (EV) with alternating current (AC) via type 2 vehicle charging inlets compatible with type 2 infrastructure charging sockets at charging stations for electromobility (EVSE)
Type	Mobile AC charging cable with vehicle charging connector and infrastructure charging plug
Design	with protective cap
Affixed logo	PHOENIX CONTACT logo
Charging mode	Mode 3, Case B
Charging standard	Type 2

Electrical properties

Type of signal transmission	Pulse width modulation
Note on the connection method	Crimp connection, cannot be disconnected
Coding	220 Ω (between PE and PP)
Type of charging current	AC 3-phase
Charging power	26.6 kW
Charging current	32 A

Power contact

Number	5 (L1, L2, L3, N, PE)
Rated voltage	480 V AC
Rated current	32 A

Signal contact

Number	2 (CP, PP)
Rated voltage	30 V AC
Rated current	2 A

Material specifications

Color (Housing)	black (9005)
Color (Handle area)	gray (7042)
Color (Mating face)	black (9005)
Color (Protective cap)	black (9005)
Color (Cable)	black (9005)
Material (Vehicle charging connector)	Plastic
Material (Cable outer sheath)	TPE-U
Material (Infrastructure charging plug)	Plastic
Material (Contact surface)	Silver

EV-T2G3PC-3AC32A-5,0M6,0ESBK01 - AC charging cable



1627692

<https://www.phoenixcontact.com/pt/produtos/1627692>

Cable/line

Cable length	5 m
Wiring standards/regulations	prEN 50620 / DIN EN 50620
Wiring certifications	VDE
Cable weight	max. 505 kg/km
Cable type	Class 5
Cable type	straight
Cable structure	5 x 4.0 mm ² + 1 x 0.5 mm ²
External cable diameter	14.2 mm ±0.3 mm
Outer sheath, material	TPE-U
Cable resistance	≤ 0.0033 Ω/m (based on a power core, at an ambient temperature of 20°C)
Wiring standards/regulations	prEN 50620 / DIN EN 50620
Wiring certifications	VDE
Cable weight	max. 505 kg/km
Cable type	Class 5
Cable type	straight
Cable structure	5 x 4.0 mm ² + 1 x 0.5 mm ²
External cable diameter	14.2 mm ±0.3 mm
Outer sheath, material	TPE-U
Cable resistance	≤ 0.0033 Ω/m (based on a power core, at an ambient temperature of 20°C)
Bending radius	min. 127.5 mm (7.5x diameter)

Mechanical properties

Mechanical data

Insertion/withdrawal cycles	> 10000
Insertion force	< 100 N
Withdrawal force	< 100 N

Environmental and real-life conditions

Ambient conditions

Degree of protection (Vehicle charging connector)	IP44 (plugged in; when plugged in and ready to operate, the degree of protection is only ensued if both plug-in components are original products from Phoenix Contact or suitable standard-compliant products)
Degree of protection (Infrastructure charging plug)	IP44 (plugged in; when plugged in and ready to operate, the degree of protection is only ensued if both plug-in components are original products from Phoenix Contact or suitable standard-compliant products)
Degree of protection (Protective cap)	IP54
Ambient temperature (operation)	-40 °C ... 50 °C
Ambient temperature (storage/transport)	-40 °C ... 80 °C
Altitude	5000 m (above sea level)

EV-T2G3PC-3AC32A-5,0M6,0ESBK01 - AC charging cable



1627692

<https://www.phoenixcontact.com/pt/produtos/1627692>

Standards and regulations

Standards

Standards/regulations
IEC 62196-2

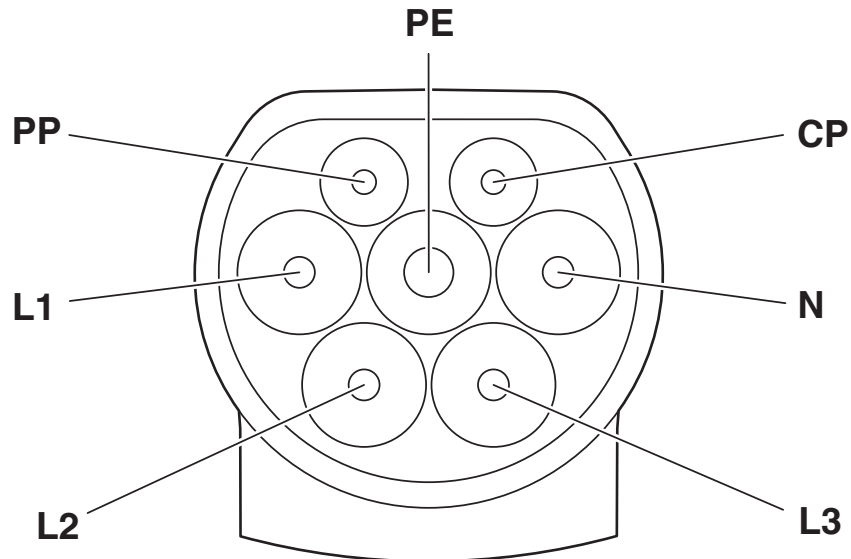
EV-T2G3PC-3AC32A-5,0M6,0ESBK01 - AC charging cable

1627692

<https://www.phoenixcontact.com/pt/produtos/1627692>

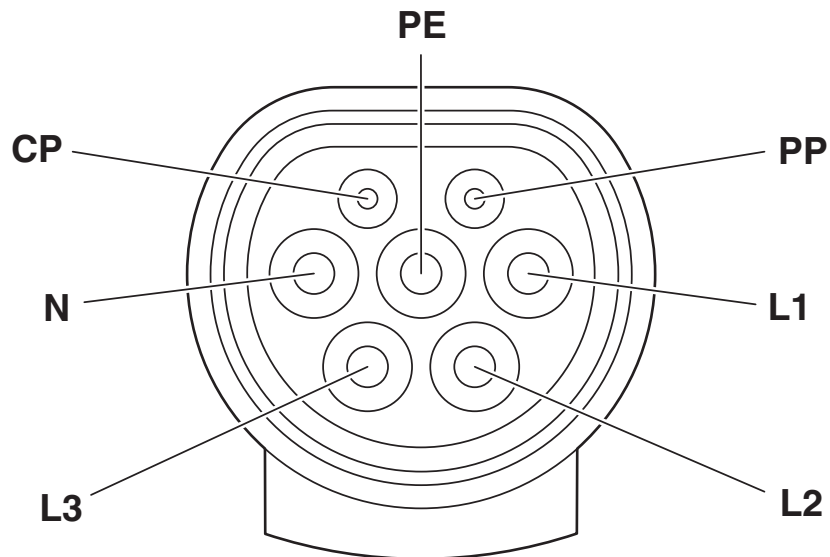
Desenhos

Connection diagram



Pin assignment of Infrastructure Plug

Schematic diagram



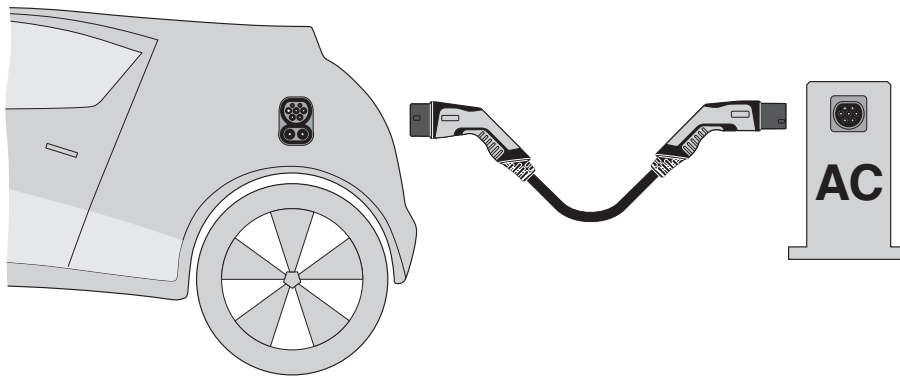
Pin assignment of the Vehicle Connector

EV-T2G3PC-3AC32A-5,0M6,0ESBK01 - AC charging cable

1627692

<https://www.phoenixcontact.com/pt/produtos/1627692>

Schematic diagram

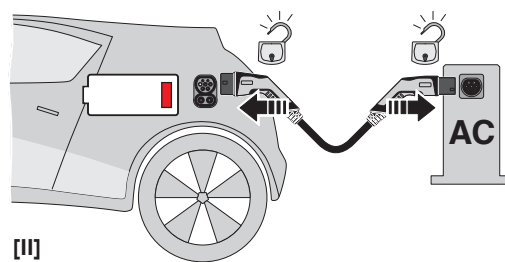


Terminology definition

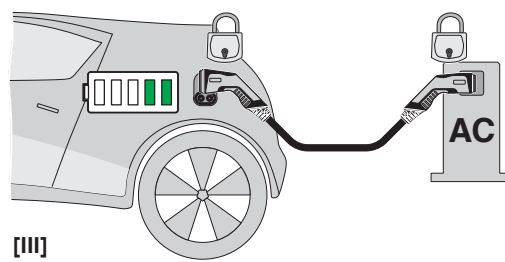
Schematic diagram



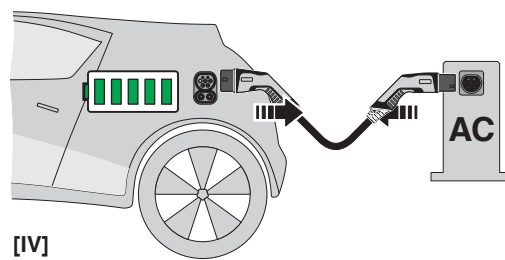
[I]



[II]



[III]



[IV]



[V]

Operating instructions

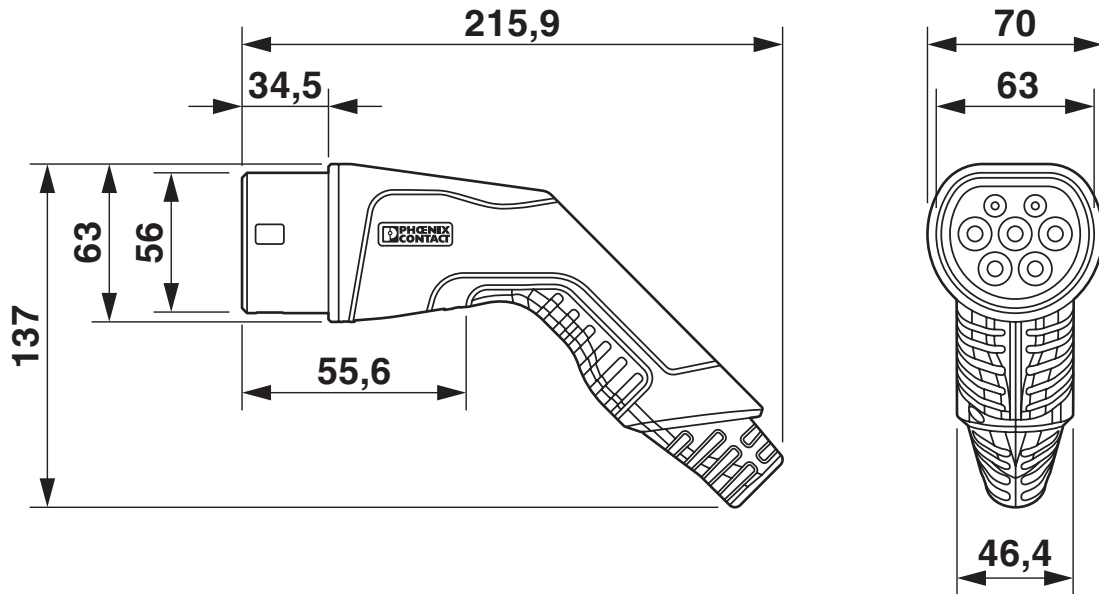
EV-T2G3PC-3AC32A-5,0M6,0ESBK01 - AC charging cable



1627692

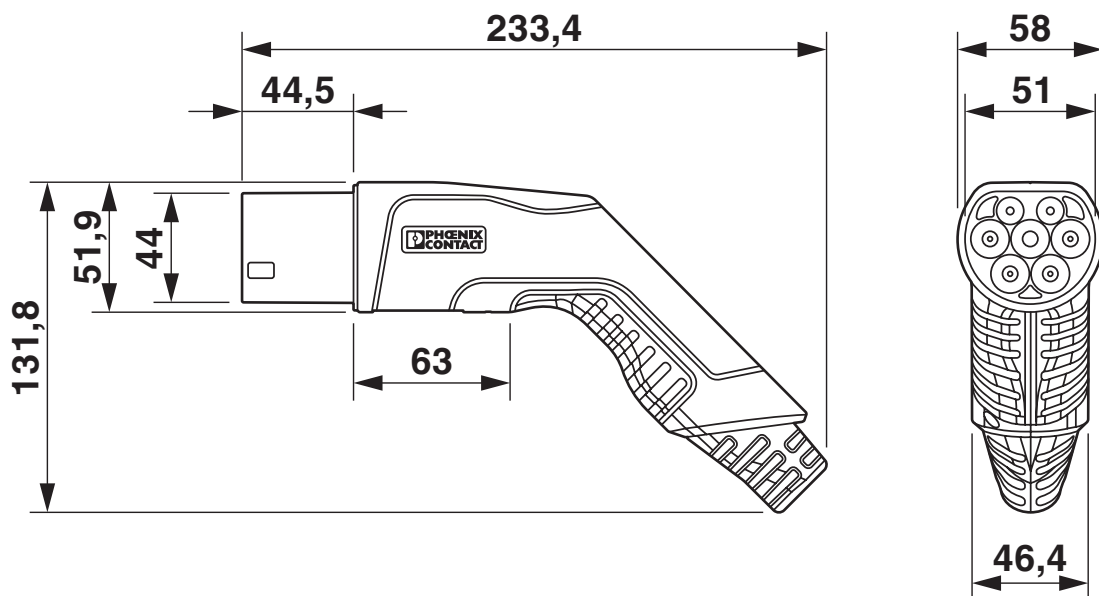
<https://www.phoenixcontact.com/pt/produtos/1627692>

Dimensional drawing



Vehicle connector

Dimensional drawing



Infrastructure plug

EV-T2G3PC-3AC32A-5,0M6,0ESBK01 - AC charging cable



1627692

<https://www.phoenixcontact.com/pt/produtos/1627692>

Certificações



IECEE CB Scheme

ID de certificação: DE1-65890



VDE Zeichengenehmigung

ID de certificação: 40045394

EV-T2G3PC-3AC32A-5,0M6,0ESBK01 - AC charging cable



1627692

<https://www.phoenixcontact.com/pt/produtos/1627692>

Classificações

ECLASS

ECLASS-10.0.1	27144705
ECLASS-11.0	27144705

ETIM

ETIM 8.0	EC002897
----------	----------

UNSPSC

UNSPSC 21.0	39121500
-------------	----------

EV-T2G3PC-3AC32A-5,0M6,0ESBK01 - AC charging cable



1627692

<https://www.phoenixcontact.com/pt/produtos/1627692>

Environmental Product Compliance

REACH SVHC	Lead 7439-92-1
China RoHS	Environmentally Friendly Use Period = 10; For information on hazardous substances, refer to the manufacturer's declaration available under "Downloads"

EV-T2G3PC-3AC32A-5,0M6,0ESBK01 - AC charging cable



1627692

<https://www.phoenixcontact.com/pt/produtos/1627692>

Acessórios

EV-T2AC-PARK - Charging connector holder

1624148

<https://www.phoenixcontact.com/pt/produtos/1624148>



CHARX connect, Charging connector holder, Accessories, for vehicle charging connectors on charging stations (EVSE), Type 2, IEC 62196-2, Front mounting, housing: black, PHOENIX CONTACT logo

EV-T2M3SO12-3P-P-SET - Infrastructure charging socket

1164422

<https://www.phoenixcontact.com/pt/produtos/1164422>



CHARX connect modular, Infrastructure charging socket, square, Premium, Set, with square protective cover, with temperature sensors, with LED (common cathode connection), for charging electric vehicles (EV) with alternating current (AC), Type 2, IEC 62196-2, 32 A / 480 V (AC), without single-core wires, locking actuator: 12 V, 3-pos., Rear panel mounting, M5 thread, housing: black, PHOENIX CONTACT logo

EV-T2G3PC-3AC32A-5,0M6,0ESBK01 - AC charging cable



1627692

<https://www.phoenixcontact.com/pt/produtos/1627692>

EV-T2M3SO12-4P-P-SET - Infrastructure charging socket

1164423

<https://www.phoenixcontact.com/pt/produtos/1164423>



CHARX connect modular, Infrastructure charging socket, square, Premium, Set, with square protective cover, with temperature sensors, with LED (common cathode connection), for charging electric vehicles (EV) with alternating current (AC), Type 2, IEC 62196-2, 32 A / 480 V (AC), without single-core wires, locking actuator: 12 V, 4-pos., Rear panel mounting, M5 thread, housing: black, PHOENIX CONTACT logo

EV-T2M3SO12-3P-BL-SET - Infrastructure charging socket

1268358

<https://www.phoenixcontact.com/pt/produtos/1268358>



CHARX connect modular, Infrastructure charging socket, square, Basic, Set, with square protective cover, with LED (common cathode connection), for charging electric vehicles (EV) with alternating current (AC), Type 2, IEC 62196-2, 32 A / 480 V (AC), without single-core wires, locking actuator: 12 V, 3-pos., Rear panel mounting, M5 thread, housing: black, PHOENIX CONTACT logo

EV-T2G3PC-3AC32A-5,0M6,0ESBK01 - AC charging cable



1627692

<https://www.phoenixcontact.com/pt/produtos/1627692>

EV-T2M3SO12-4P-BL-SET - Infrastructure charging socket

1268355

<https://www.phoenixcontact.com/pt/produtos/1268355>



CHARX connect modular, Infrastructure charging socket, square, Basic, Set, with square protective cover, with LED (common cathode connection), for charging electric vehicles (EV) with alternating current (AC), Type 2, IEC 62196-2, 32 A / 480 V (AC), without single-core wires, locking actuator: 12 V, 4-pos., Rear panel mounting, M5 thread, housing: black, PHOENIX CONTACT logo

EV-T2M3SO12-3P-B-SET - Infrastructure charging socket

1164420

<https://www.phoenixcontact.com/pt/produtos/1164420>



CHARX connect modular, Infrastructure charging socket, square, Basic, Set, with square protective cover, for charging electric vehicles (EV) with alternating current (AC), Type 2, IEC 62196-2, 32 A / 480 V (AC), without single-core wires, locking actuator: 12 V, 3-pos., Rear panel mounting, M5 thread, housing: black, PHOENIX CONTACT logo

EV-T2G3PC-3AC32A-5,0M6,0ESBK01 - AC charging cable



1627692

<https://www.phoenixcontact.com/pt/produtos/1627692>

EV-T2M3SO12-4P-B-SET - Infrastructure charging socket

1164417

<https://www.phoenixcontact.com/pt/produtos/1164417>



CHARX connect modular, Infrastructure charging socket, square, Basic, Set, with square protective cover, for charging electric vehicles (EV) with alternating current (AC), Type 2, IEC 62196-2, 32 A / 480 V (AC), without single-core wires, locking actuator: 12 V, 4-pos., Rear panel mounting, M5 thread, housing: black, PHOENIX CONTACT logo

EV-LABEL-C - Label

1309766

<https://www.phoenixcontact.com/pt/produtos/1309766>



CHARX connect, Label, Accessories, for AC type 2 vehicle charging connector and for AC type 2 vehicle charging inlet, DIN EN 17186

EV-T2G3PC-3AC32A-5,0M6,0ESBK01 - AC charging cable



1627692

<https://www.phoenixcontact.com/pt/produtos/1627692>

EV-LABEL-C-SO - Label

1315521

<https://www.phoenixcontact.com/pt/produtos/1315521>

CHARX connect, Label, Accessories, for AC type 2 infrastructure charging socket and for AC type 2 infrastructure charging plug, DIN EN 17186



Phoenix Contact 2023 © - Todos os direitos reservados

<https://www.phoenixcontact.com>

Phoenix Contact S.A.

Sintra Business Park, Edifício n°1, Zona Industrial da Abrunheira

2710-089 SINTRA

(+351) 21 911 2760

pt-info@phoenixcontact.com