

Luminaire

Code PX-0129-NEG
 Name Aplique 45 leds 2W 4000K

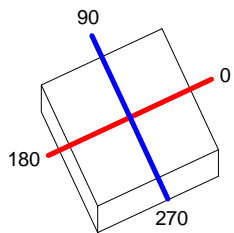
Measur.

Code PX-0129-NEG
 Name Aplique 45 leds 2W 4000K

Luminaire Flux	171.89 lm	Luminaire Power	3.00 W	Efficacy	57.30 lm/W	Efficiency	100.00%
Lamps Flux	171.89 lm	Maximum value	286.45 cd/klm	Position	C=0.00 G=0.00	CG	Double Symmetrical
Rectangular Luminaire Rectangular Luminous Area	Length Length	125 mm 80 mm	Width Width	125 mm 80 mm	Height Height	35 mm 10 mm	
Horizontal Luminous Area Emitting area on Plane 0° Emitting area on Plane 90°	0.006400 m2 0.000800 m2 0.000800 m2		Emitting area on Plane 180° Emitting area on Plane 270° Glare area at 76°	0.000800 m2 0.000800 m2 0.002325 m2			
Coordinate system Date Measurement Distance	CG 25-07-2016 0.00		Symmetry Type Maximum Gamma Angle Measurement Flux	Double Symmetrical 180 171.89 lm			
Operator Temperature Humidity Notes	Asselum T3 25.00 °C 60.00 %		Source Voltage [V] Source current [A] Photocell				

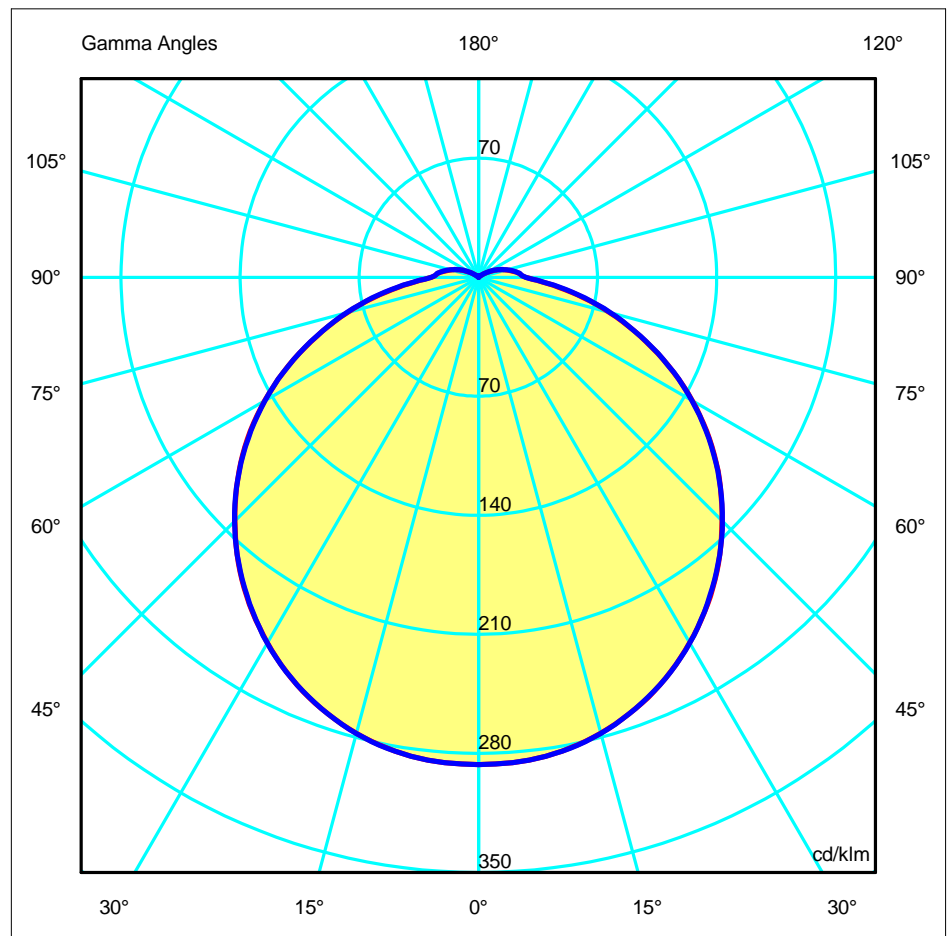
Line		Code	Luminaire Lamps Name	Flux [lm]	Pow. [W]	Q.ty
		PX-0129-NEG	PX-0129-NEG - 3.00 W	171.89	3.00	1
C.I.E.	42 72 91 94 100		D DIN 5040	A31		
F UTE	0.94 G + 0.06 T		B NBN	BZ 5		

125mm x 125mm



C Halfplanes
 180.0 — 0.0
 270.0 — 90.0

ULOR 5.53 %
 DLOR 94.47 %
 RN 5.53 %





Luminaire

Code PX-0129-NEG
 Name Aplique 45 leds 2W 4000K

Measur.

Code PX-0129-NEG
 Name Aplique 45 leds 2W 4000K

Luminaire Flux	171.89 lm	Luminaire Power	3.00 W	Efficacy	57.30 lm/W	Efficiency	100.00%
Lamps Flux	171.89 lm	Maximum value	286.45 cd/klm	Position	C=0.00 G=0.00	CG	Double Symmetrical

Luminous Intensity Table cd/klm Table 1/1

	C 0.00	C 15.00	C 30.00	C 45.00	C 60.00	C 75.00	C 90.00
G 0.0	286.45	286.45	286.45	286.45	286.45	286.45	286.45
G 5.0	285.72	285.80	285.92	285.87	285.85	285.83	285.73
G 10.0	282.83	283.13	283.30	283.36	283.27	283.03	282.89
G 15.0	277.53	278.05	278.33	278.47	278.25	277.88	277.63
G 20.0	269.93	270.68	271.17	271.15	270.94	270.55	269.87
G 25.0	260.15	261.20	261.76	261.80	261.36	260.79	260.12
G 30.0	248.13	249.56	250.00	250.45	249.89	249.09	248.31
G 35.0	234.71	236.14	236.81	236.78	236.47	235.78	234.35
G 40.0	219.44	220.99	221.80	221.92	221.52	220.68	219.25
G 45.0	202.39	204.32	205.02	205.59	204.85	203.66	202.77
G 50.0	184.79	186.47	187.54	187.59	187.00	186.13	184.70
G 55.0	165.78	167.33	168.50	168.69	168.24	167.03	165.22
G 60.0	145.06	147.02	148.55	149.34	148.04	146.20	144.88
G 65.0	123.23	125.55	127.75	128.66	127.50	125.37	123.32
G 70.0	101.16	103.98	106.26	106.95	106.31	103.78	101.32
G 75.0	79.86	82.46	85.11	85.93	84.95	82.03	80.20
G 80.0	59.00	62.39	64.85	65.78	64.73	61.91	59.67
G 85.0	40.63	43.40	45.97	46.92	46.02	43.46	41.08
G 90.0	27.79	29.51	31.69	32.47	31.71	29.45	27.91
G 95.0	24.33	24.76	26.40	27.12	26.36	24.76	24.53
G100.0	20.61	19.86	20.59	21.22	20.64	19.96	20.90
G105.0	16.87	15.94	14.91	15.26	14.85	16.10	17.14
G110.0	13.02	12.22	9.46	9.45	9.52	12.38	13.28
G115.0	9.37	8.58	6.10	4.05	6.23	8.79	9.57
G120.0	5.87	5.14	3.06	1.03	3.08	5.26	5.96
G125.0	2.56	1.98	1.01	1.04	1.07	2.09	2.72
G130.0	0.95	0.98	1.01	1.04	1.07	1.08	1.05
G135.0	0.96	1.00	1.02	1.03	1.07	1.08	1.06
G140.0	0.98	1.01	1.02	1.03	1.07	1.08	1.07
G145.0	0.99	1.03	1.04	1.05	1.08	1.08	1.06
G150.0	1.00	1.04	1.05	1.06	1.08	1.08	1.06
G155.0	0.00	0.00	0.00	0.00	0.00	0.00	0.00
G160.0	0.00	0.00	0.00	0.00	0.00	0.00	0.00
G165.0	0.00	0.00	0.00	0.00	0.00	0.00	0.00
G170.0	0.00	0.00	0.00	0.00	0.00	0.00	0.00
G175.0	0.00	0.00	0.00	0.00	0.00	0.00	0.00
G180.0	0.00	0.00	0.00	0.00	0.00	0.00	0.00

Luminaire

Code PX-0129-NEG
 Name Aplique 45 leds 2W 4000K

Measur.

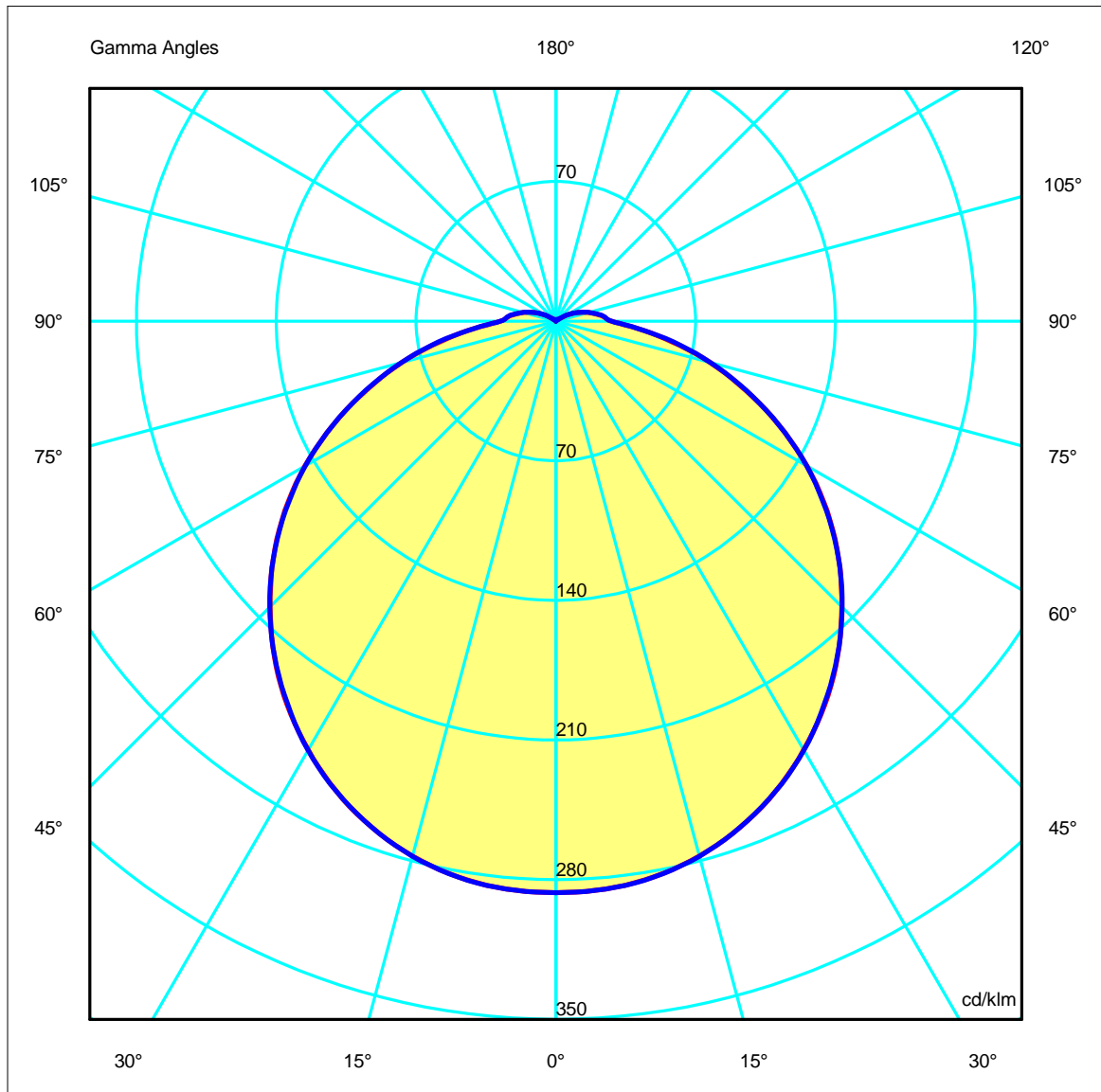
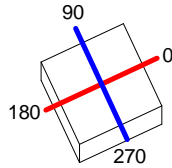
Code PX-0129-NEG
 Name Aplique 45 leds 2W 4000K

Luminaire Flux	171.89 lm	Luminaire Power	3.00 W	Efficacy	57.30 lm/W	Efficiency	100.00%
Lamps Flux	171.89 lm	Maximum value	286.45 cd/klm	Position	C=0.00 G=0.00	CG	Double Symmetrical

125mm x 125mm

C Halfplanes

180.0 ——— 0.0
 270.0 ——— 90.0



Luminaire

Code PX-0129-NEG
Name Aplique 45 leds 2W 4000K

Measur.

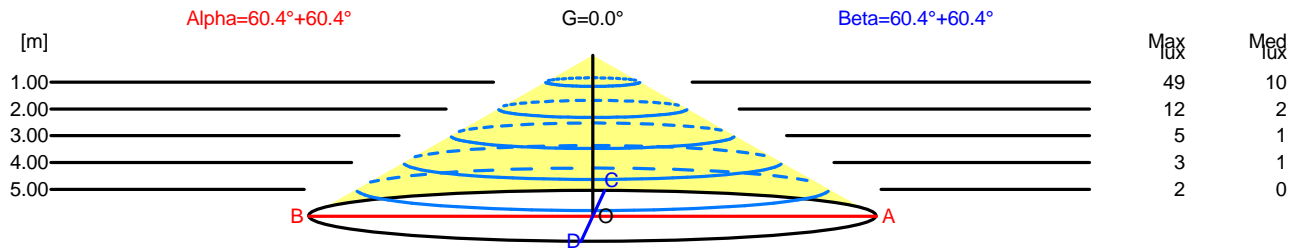
Code PX-0129-NEG
Name Aplique 45 leds 2W 4000K

Luminaire Flux	171.89 lm	Luminaire Power	3.00 W	Efficacy	57.30 lm/W	Efficiency	100.00%
Lamps Flux	171.89 lm	Maximum value	286.45 cd/klm	Position	C=0.00 G=0.00	CG	Double Symmetrical

Width at 50.00 % of Max Intensity

H[m]	1.00	2.00	3.00	4.00	5.00	H[m]	1.00	2.00	3.00	4.00	5.00
OA	1.76	3.52	5.29	7.05	8.81	OC	1.76	3.52	5.28	7.04	8.80
OB	1.76	3.52	5.29	7.05	8.81	OD	1.76	3.52	5.28	7.04	8.80

	Luminous Intensities [cd/klm]									
	0	5	15	25	35	45	55	65	75	85
OA	49.24	49.11	47.70	44.72	40.34	34.79	28.50	21.18	13.73	6.98
OB	49.24	49.11	47.70	44.72	40.34	34.79	28.50	21.18	13.73	6.98
OC	49.24	49.11	47.72	44.71	40.28	34.85	28.40	21.20	13.79	7.06
OD	49.24	49.11	47.72	44.71	40.28	34.85	28.40	21.20	13.79	7.06



H[m]	D[m]	Max lux	Med lux	Alpha=60.4°+60.4°	G=0.0
1.00	3.52	49	10		
2.00	7.05	12	2		
3.00	10.57	5	1		
4.00	14.10	3	1		
5.00	17.62	2	0		

H[m]	D[m]	Max lux	Med lux	Beta=60.4°+60.4°	G=0.0
1.00	3.52	49	10		
2.00	7.04	12	2		
3.00	10.56	5	1		
4.00	14.08	3	1		
5.00	17.60	2	0		

Luminaire

 Code PX-0129-NEG
 Name Aplique 45 leds 2W 4000K

Measurement

 Code PX-0129-NEG
 Name Aplique 45 leds 2W 4000K

Luminaire Flux	171.89 lm	Luminaire Power	3.00 W	Efficacy	57.30 lm/W	Efficiency	100.00%
Lamps Flux	171.89 lm	Maximum value	286.45 cd/klm	Position	C=0.00 G=0.00	CG	Double Symmetrical

UGR
S = 0.250

Reflectancies										
Ceiling/Cavity	0.7	0.7	0.5	0.5	0.3	0.7	0.7	0.5	0.5	0.3
Walls	0.5	0.3	0.5	0.3	0.3	0.5	0.3	0.5	0.3	0.3
WorkingPlane	0.2	0.2	0.2	0.2	0.2	0.2	0.2	0.2	0.2	0.2
RoomDimensions	ViewedCrosswise					ViewedEndwise				
x=2H y=2H	18.5	19.9	18.9	20.2	20.6	18.5	19.9	18.9	20.2	20.6
x=2H y=3H	20.4	21.6	20.8	21.9	22.3	20.3	21.5	20.7	21.9	22.3
x=2H y=4H	21.2	22.3	21.6	22.7	23.1	21.2	22.3	21.6	22.7	23.1
x=2H y=6H	21.9	22.9	22.3	23.3	23.8	21.9	22.9	22.3	23.3	23.8
x=2H y=8H	22.2	23.2	22.6	23.6	24.0	22.1	23.2	22.6	23.6	24.0
x=2H y=12H	22.4	23.4	22.9	23.8	24.3	22.4	23.4	22.9	23.8	24.3
x=4H y=2H	19.4	20.5	19.8	20.9	21.3	19.3	20.5	19.8	20.9	21.3
x=4H y=3H	21.3	22.3	21.8	22.8	23.2	21.3	22.3	21.8	22.8	23.2
x=4H y=4H	22.3	23.2	22.8	23.6	24.1	22.3	23.2	22.8	23.6	24.1
x=4H y=6H	23.1	23.9	23.6	24.4	24.9	23.1	23.9	23.6	24.4	24.9
x=4H y=8H	23.5	24.2	24.0	24.7	25.3	23.5	24.2	24.0	24.7	25.3
x=4H y=12H	23.8	24.5	24.4	25.0	25.6	23.8	24.5	24.4	25.0	25.6
x=8H y=4H	22.7	23.5	23.3	23.9	24.5	22.7	23.4	23.2	23.9	24.5
x=8H y=6H	23.8	24.4	24.3	24.9	25.5	23.8	24.4	24.3	24.9	25.5
x=8H y=8H	24.3	24.8	24.8	25.3	25.9	24.3	24.8	24.8	25.3	25.9
x=8H y=12H	24.7	25.2	25.3	25.7	26.4	24.7	25.2	25.3	25.7	26.4
x=12H y=4H	22.8	23.4	23.3	24.0	24.5	22.8	23.4	23.3	23.9	24.5
x=12H y=6H	23.9	24.4	24.5	25.0	25.6	23.9	24.4	24.4	25.0	25.6
x=12H y=8H	24.4	24.9	25.0	25.5	26.1	24.4	24.9	25.0	25.5	26.1

Luminaire

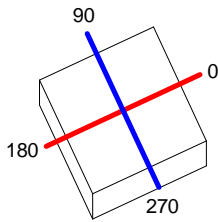
Code PX-0129-NEG
 Name Aplique 45 leds 2W 4000K

Measur.

Code PX-0129-NEG
 Name Aplique 45 leds 2W 4000K

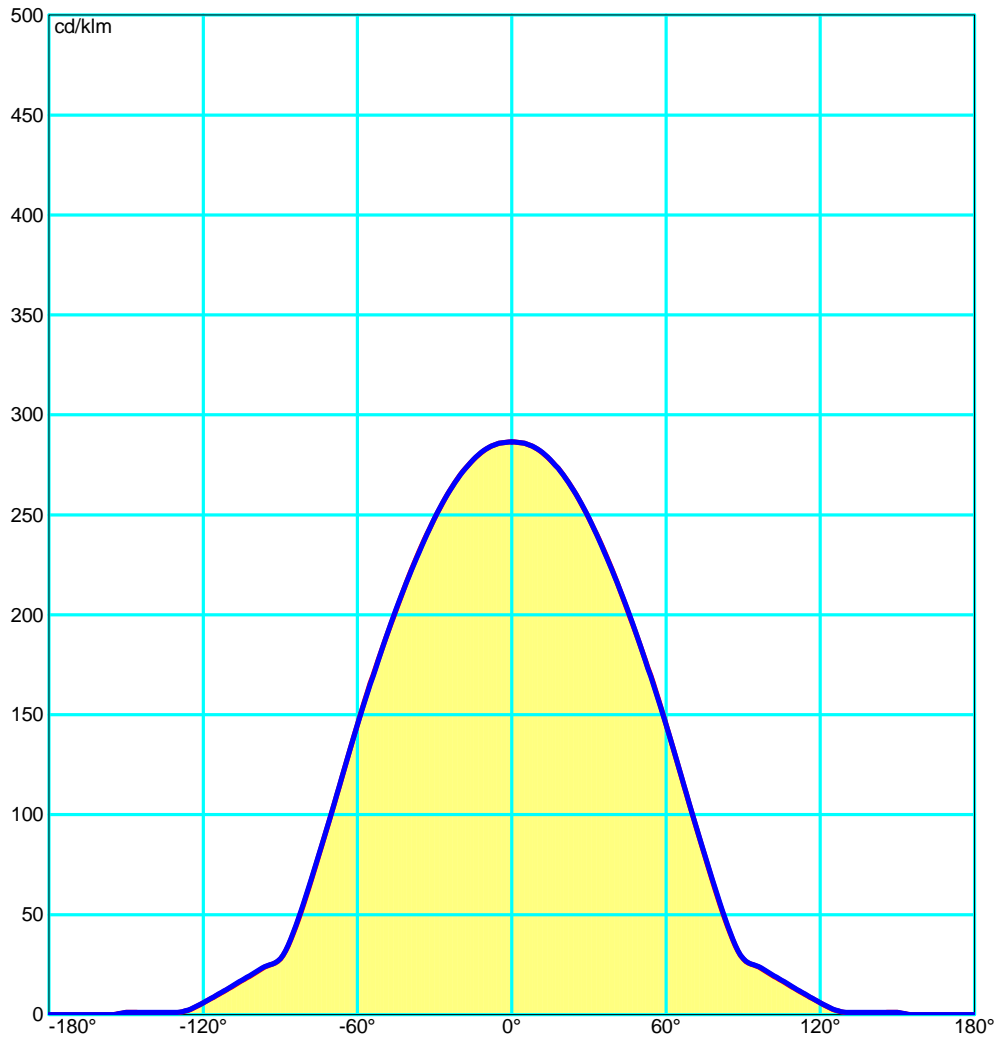
Luminaire Flux	171.89 lm	Luminaire Power	3.00 W	Efficacy	57.30 lm/W	Efficiency	100.00%
Lamps Flux	171.89 lm	Maximum value	286.45 cd/klm	Position	C=0.00 G=0.00	CG	Double Symmetrical

125mm x 125mm



C Halfplanes

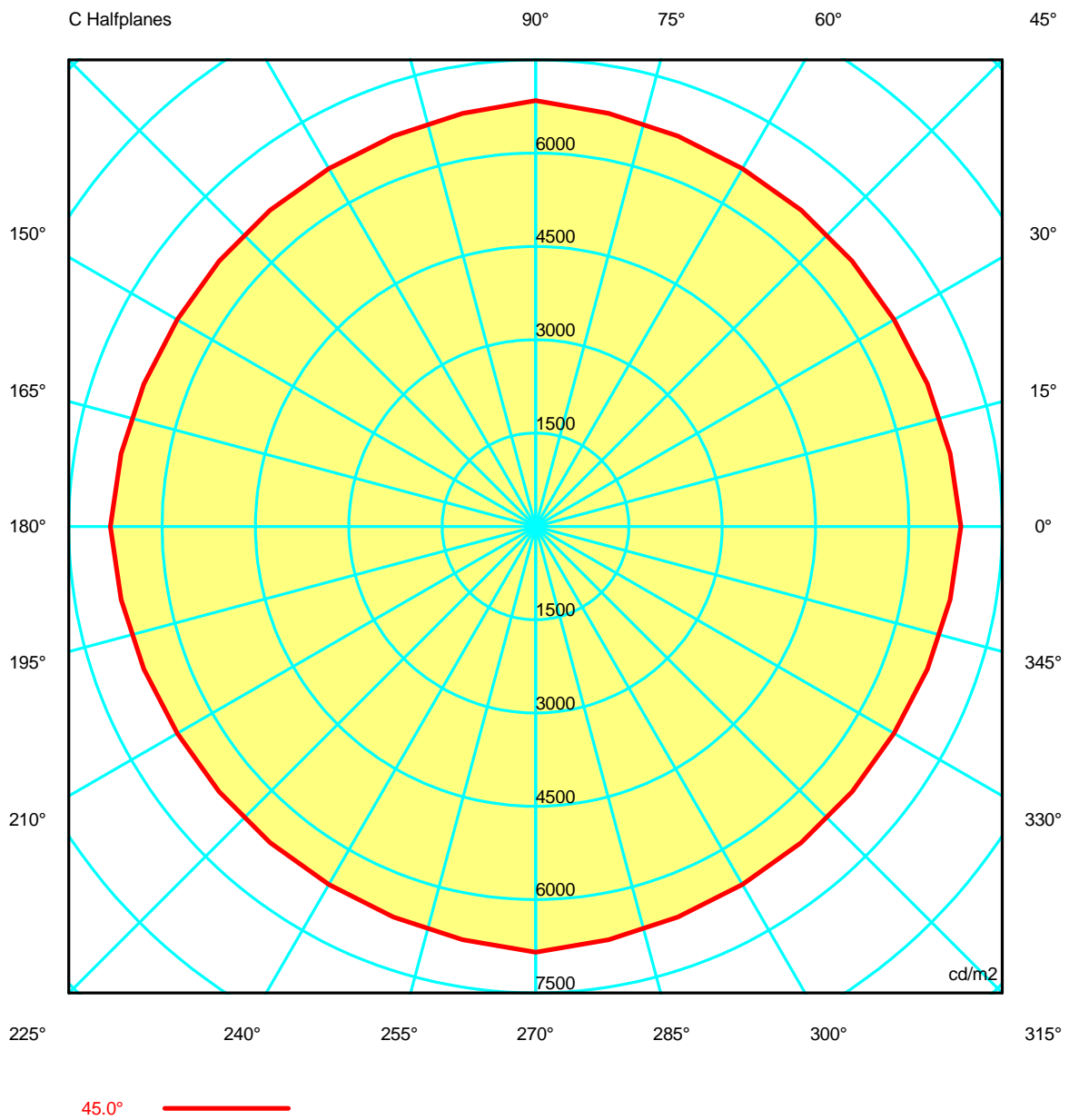
180.0 ———— 0.0
 270.0 ———— 90.0



Luminaire
 Code PX-0129-NEG
 Name Aplique 45 leds 2W 4000K
Measur.
 Code PX-0129-NEG
 Name Aplique 45 leds 2W 4000K

Luminaire Flux	171.89 lm	Luminaire Power	3.00 W	Efficacy	57.30 lm/W	Efficiency	100.00%
Lamps Flux	171.89 lm	Maximum value	286.45 cd/klm	Position	C=0.00 G=0.00	CG	Double Symmetrical

Luminance





Luminaire

Code PX-0129-NEG
Name Aplique 45 leds 2W 4000K

Measurment

Code PX-0129-NEG
Name Aplique 45 leds 2W 4000K

Luminaire Flux	171.89 lm	Luminaire Power	3.00 W	Efficacy	57.30 lm/W	Efficiency	100.00%
Lamps Flux	171.89 lm	Maximum value	286.45 cd/klm	Position	C=0.00 G=0.00	CG	Double Symmetrical

Luminance cd/m2 Table 1/3

	C 0.00	C 10.00	C 20.00	C 30.00	C 40.00	C 50.00	C 60.00	C 70.00	C 80.00	C 90.00	C 100.00	C 110.00	C 120.00
G 0.0	7693.36	7693.36	7693.36	7693.36	7693.36	7693.36	7693.36	7693.36	7693.36	7693.36	7693.36	7693.36	7693.36
G 5.0	7619.89	7608.09	7600.11	7595.05	7590.94	7589.93	7593.22	7599.90	7608.93	7620.01	7608.93	7599.90	7593.22
G 10.0	7547.11	7526.87	7511.30	7500.50	7494.97	7494.81	7499.53	7508.82	7525.08	7548.77	7525.08	7508.82	7499.53
G 15.0	7466.71	7438.43	7416.05	7400.38	7393.62	7393.13	7398.29	7411.61	7435.31	7469.28	7435.31	7411.61	7398.29
G 20.0	7379.28	7342.70	7315.87	7296.91	7284.19	7281.45	7290.79	7311.08	7340.16	7377.76	7340.16	7311.08	7290.79
G 25.0	7284.85	7242.13	7209.10	7184.90	7170.79	7166.54	7174.02	7196.61	7233.58	7283.96	7233.58	7196.61	7174.02
G 30.0	7177.08	7131.88	7090.25	7057.35	7047.91	7048.02	7054.27	7078.33	7121.50	7182.37	7121.50	7078.33	7054.27
G 35.0	7076.18	7017.20	6970.96	6935.27	6912.80	6908.79	6925.35	6959.95	7006.57	7065.22	7006.57	6959.95	6925.35
G 40.0	6963.21	6894.19	6840.95	6801.79	6779.71	6776.45	6793.39	6830.96	6885.44	6957.15	6885.44	6830.96	6793.39
G 45.0	6833.13	6761.94	6699.49	6651.50	6636.35	6636.27	6645.83	6679.58	6746.03	6845.93	6746.03	6679.58	6645.83
G 50.0	6720.07	6626.03	6558.09	6510.94	6481.21	6473.04	6492.28	6542.38	6617.48	6716.94	6617.48	6542.38	6492.28
G 55.0	6586.68	6473.03	6394.28	6343.37	6312.53	6308.38	6333.36	6383.40	6459.00	6564.40	6459.00	6383.40	6333.36
G 60.0	6405.07	6287.32	6205.30	6158.11	6144.29	6137.39	6136.90	6171.48	6257.45	6397.28	6257.45	6171.48	6136.90
G 65.0	6176.07	6050.48	5975.94	5942.52	5931.42	5926.71	5931.11	5964.73	6045.29	6180.28	6045.29	5964.73	5931.11
G 70.0	5912.84	5789.62	5717.90	5679.74	5655.89	5658.84	5682.64	5709.52	5781.01	5922.69	5781.01	5709.52	5682.64
G 75.0	5650.61	5493.70	5418.14	5394.33	5376.20	5374.83	5384.33	5390.71	5474.48	5675.08	5474.48	5390.71	5384.33
G 80.0	5340.14	5208.07	5133.73	5095.51	5081.36	5082.11	5086.11	5095.56	5186.19	5400.70	5186.19	5095.56	5086.11
G 85.0	5155.42	4928.90	4826.90	4799.18	4787.87	4790.56	4804.15	4829.81	4946.08	5211.57	4946.08	4829.81	4804.15
G 90.0	5971.89	5353.83	5074.12	4984.53	4939.04	4942.08	4987.73	5065.93	5348.37	5997.24	5348.37	5065.93	4987.73



Luminaire

Code PX-0129-NEG
 Name Applique 45 leds 2W 4000K

Measur.

Code PX-0129-NEG
 Name Applique 45 leds 2W 4000K

Luminaire Flux	171.89 lm	Luminaire Power	3.00 W	Efficacy	57.30 lm/W	Efficiency	100.00%
Lamps Flux	171.89 lm	Maximum value	286.45 cd/klm	Position	C=0.00 G=0.00	CG	Double Symmetrical

Luminance cd/m2 Table 2/3

	C 130.00	C 140.00	C 150.00	C 160.00	C 170.00	C 180.00	C 190.00	C 200.00	C 210.00	C 220.00	C 230.00	C 240.00	C 250.00
G 0.0	7693.36	7693.36	7693.36	7693.36	7693.36	7693.36	7693.36	7693.36	7693.36	7693.36	7693.36	7693.36	7693.36
G 5.0	7589.93	7590.94	7595.05	7600.11	7608.09	7619.89	7608.09	7600.11	7595.05	7590.94	7589.93	7593.22	7599.90
G 10.0	7494.81	7494.97	7500.50	7511.30	7526.87	7547.11	7526.87	7511.30	7500.50	7494.97	7494.81	7499.53	7508.82
G 15.0	7393.13	7393.62	7400.38	7416.05	7438.43	7466.71	7438.43	7416.05	7400.38	7393.62	7393.13	7398.29	7411.61
G 20.0	7281.45	7284.19	7296.91	7315.87	7342.70	7379.28	7342.70	7315.87	7296.91	7284.19	7281.45	7290.79	7311.08
G 25.0	7166.54	7170.79	7184.90	7209.10	7242.13	7284.85	7242.13	7209.10	7184.90	7170.79	7166.54	7174.02	7196.61
G 30.0	7048.02	7047.91	7057.35	7090.25	7131.88	7177.08	7131.88	7090.25	7057.35	7047.91	7048.02	7054.27	7078.33
G 35.0	6908.79	6912.80	6935.27	6970.96	7017.20	7076.18	7017.20	6970.96	6935.27	6912.80	6908.79	6925.35	6959.95
G 40.0	6776.45	6779.71	6801.79	6840.95	6894.19	6963.21	6894.19	6840.95	6801.79	6779.71	6776.45	6793.39	6830.96
G 45.0	6636.27	6636.35	6651.50	6699.49	6761.94	6833.13	6761.94	6699.49	6651.50	6636.35	6636.27	6645.83	6679.58
G 50.0	6473.04	6481.21	6510.94	6558.09	6626.03	6720.07	6626.03	6558.09	6510.94	6481.21	6473.04	6492.28	6542.38
G 55.0	6308.38	6312.53	6343.37	6394.28	6473.03	6566.68	6473.03	6394.28	6343.37	6312.53	6308.38	6333.36	6383.40
G 60.0	6137.39	6144.29	6158.11	6205.30	6287.32	6405.07	6287.32	6205.30	6158.11	6144.29	6137.39	6136.90	6171.48
G 65.0	5926.71	5931.42	5942.52	5975.94	6050.48	6176.07	6050.48	5975.94	5942.52	5931.42	5926.71	5931.11	5964.73
G 70.0	5658.84	5655.89	5679.74	5717.90	5789.62	5912.84	5789.62	5717.90	5679.74	5655.89	5658.84	5682.64	5709.52
G 75.0	5374.83	5376.20	5394.33	5418.14	5493.70	5650.61	5493.70	5418.14	5394.33	5376.20	5374.83	5384.33	5390.71
G 80.0	5082.11	5081.36	5095.51	5133.73	5208.07	5340.14	5208.07	5133.73	5095.51	5081.36	5082.11	5086.11	5095.56
G 85.0	4790.56	4787.87	4799.18	4826.90	4928.90	5155.42	4928.90	4826.90	4799.18	4787.87	4790.56	4804.15	4829.81
G 90.0	4942.08	4939.04	4984.53	5074.12	5353.83	5971.89	5353.83	5074.12	4984.53	4939.04	4942.08	4987.73	5065.93

Luminaire

Code PX-0129-NEG
Name Aplique 45 leds 2W 4000K

Measur.

Code PX-0129-NEG
Name Aplique 45 leds 2W 4000K

Luminaire Flux	171.89 lm	Luminaire Power	3.00 W	Efficacy	57.30 lm/W	Efficiency	100.00%
Lamps Flux	171.89 lm	Maximum value	286.45 cd/klm	Position	C=0.00 G=0.00	CG	Double Symmetrical

Luminance cd/m2 Table 3/3

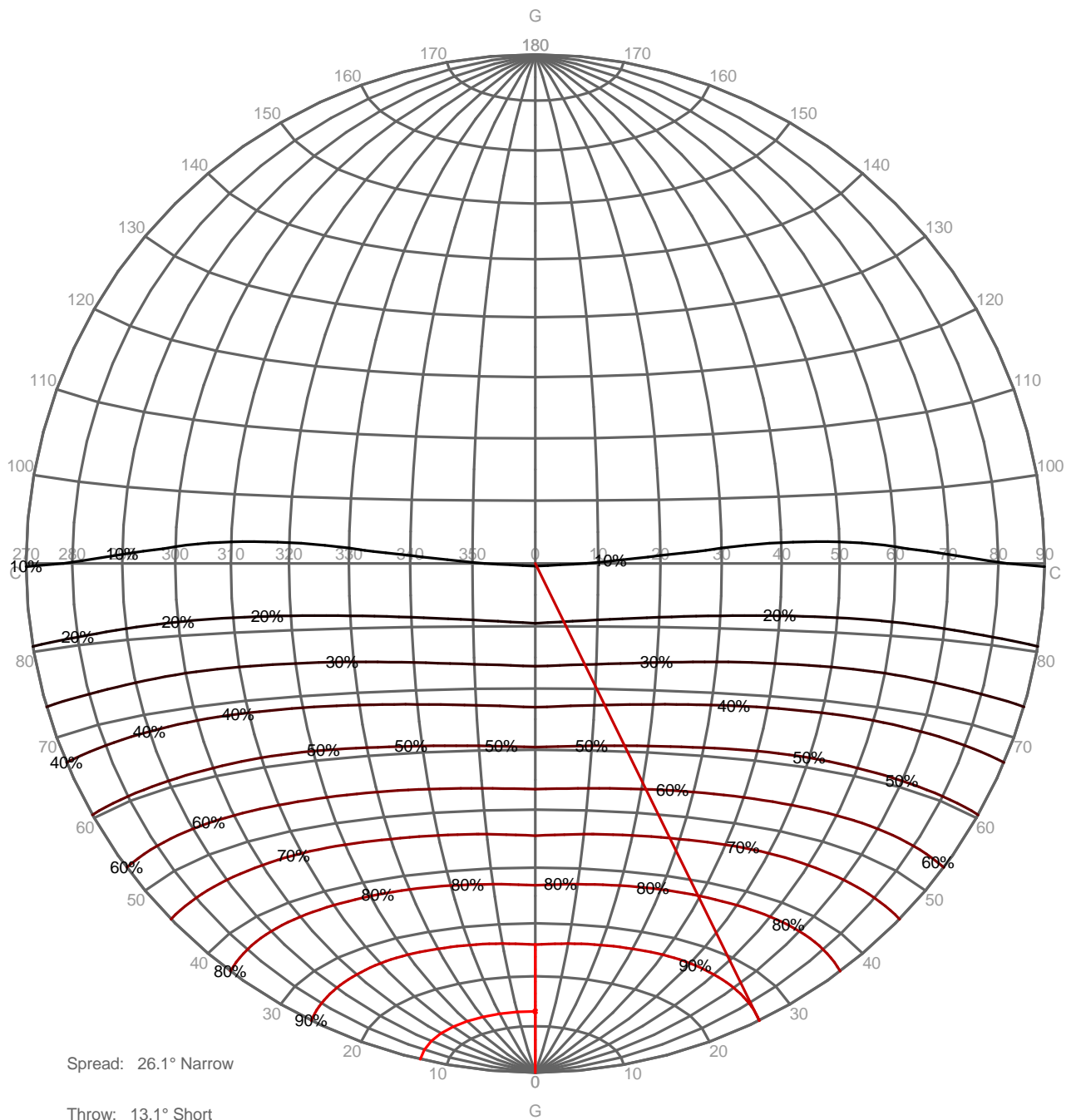
	C 260.00	C 270.00	C 280.00	C 290.00	C 300.00	C 310.00	C 320.00	C 330.00	C 340.00	C 350.00
G 0.0	7693.36	7693.36	7693.36	7693.36	7693.36	7693.36	7693.36	7693.36	7693.36	7693.36
G 5.0	7608.93	7620.01	7608.93	7599.90	7593.22	7589.93	7590.94	7595.05	7600.11	7608.09
G 10.0	7525.08	7548.77	7525.08	7508.82	7499.53	7494.81	7494.97	7500.50	7511.30	7526.87
G 15.0	7435.31	7469.28	7435.31	7411.61	7398.29	7393.13	7393.62	7400.38	7416.05	7438.43
G 20.0	7340.16	7377.76	7340.16	7311.08	7290.79	7281.45	7284.19	7296.91	7315.87	7342.70
G 25.0	7233.58	7283.96	7233.58	7196.61	7174.02	7166.54	7170.79	7184.90	7209.10	7242.13
G 30.0	7121.50	7182.37	7121.50	7078.33	7054.27	7048.02	7047.91	7057.35	7090.25	7131.88
G 35.0	7006.57	7065.22	7006.57	6959.95	6925.35	6908.79	6912.80	6935.27	6970.96	7017.20
G 40.0	6885.44	6957.15	6885.44	6830.96	6793.39	6776.45	6779.71	6801.79	6840.95	6894.19
G 45.0	6746.03	6845.93	6746.03	6679.58	6645.83	6636.27	6636.35	6651.50	6699.49	6761.94
G 50.0	6617.48	6716.94	6617.48	6542.38	6492.28	6473.04	6481.21	6510.94	6558.09	6626.03
G 55.0	6459.00	6564.40	6459.00	6383.40	6333.36	6308.38	6312.53	6343.37	6394.28	6473.03
G 60.0	6257.45	6397.28	6257.45	6171.48	6136.90	6137.39	6144.29	6158.11	6205.30	6287.32
G 65.0	6045.29	6180.28	6045.29	5964.73	5931.11	5926.71	5931.42	5942.52	5975.94	6050.48
G 70.0	5781.01	5922.69	5781.01	5709.52	5682.64	5658.84	5655.89	5679.74	5717.90	5789.62
G 75.0	5474.48	5675.08	5474.48	5390.71	5384.33	5374.83	5376.20	5394.33	5418.14	5493.70
G 80.0	5186.19	5400.70	5186.19	5095.56	5086.11	5082.11	5081.36	5095.51	5133.73	5208.07
G 85.0	4946.08	5211.57	4946.08	4829.81	4804.15	4790.56	4787.87	4799.18	4826.90	4928.90
G 90.0	5348.37	5997.24	5348.37	5065.93	4987.73	4942.08	4939.04	4984.53	5074.12	5353.83

Luminaire
 Code PX-0129-NEG
 Name Aplique 45 leds 2W 4000K
Measur.
 Code PX-0129-NEG
 Name Aplique 45 leds 2W 4000K

Luminaire Flux	171.89 lm	Luminaire Power	3.00 W	Efficacy	57.30 lm/W	Efficiency	100.00%
Lamps Flux	171.89 lm	Maximum value	286.45 cd/klm	Position	C=0.00 G=0.00	CG	Double Symmetrical

PERCENTAGE ISOCANDLES

Projection: Equal Area SLI (glare) 7.8 Tight Tilting Angle:0°

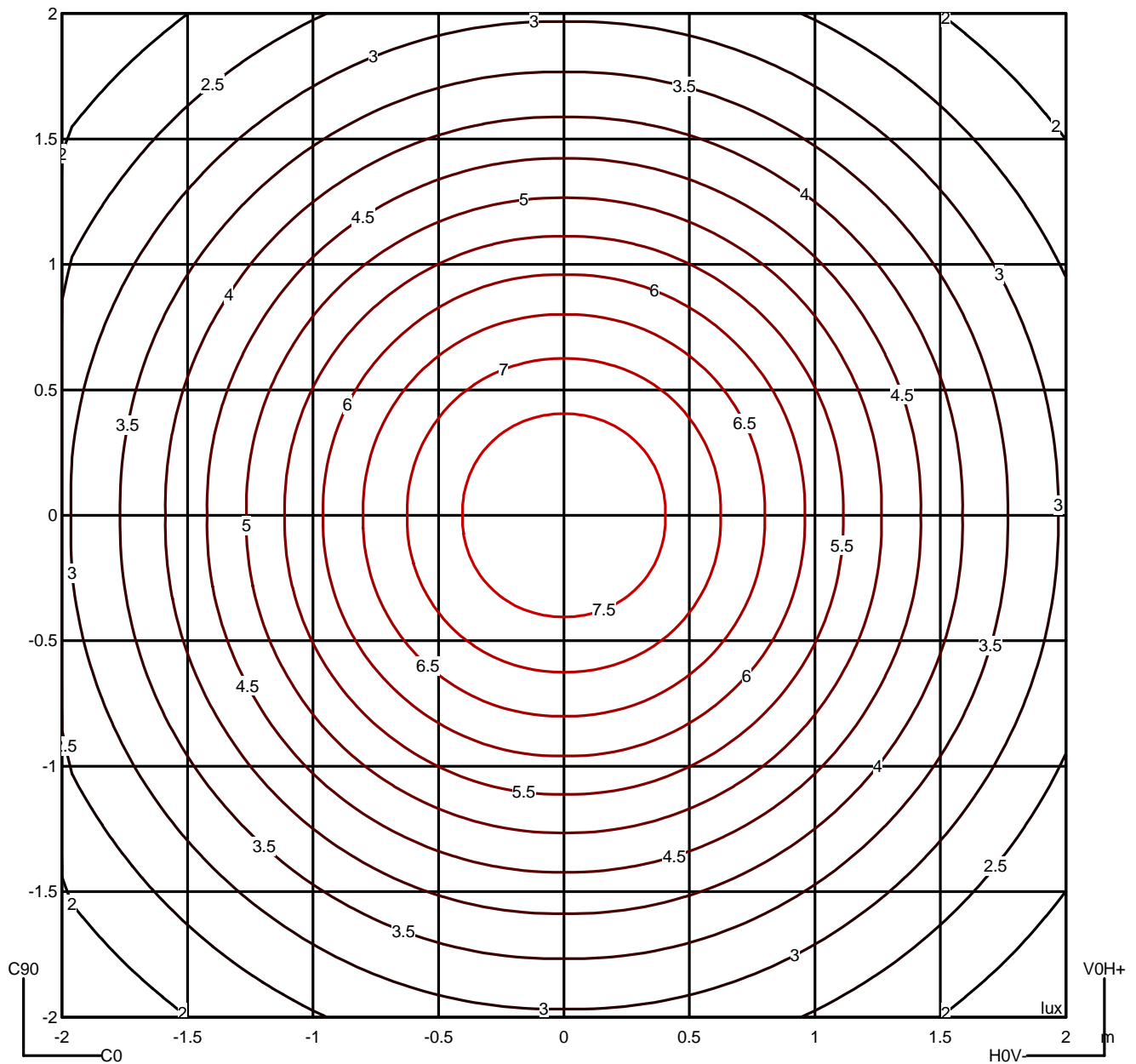


Luminaire
 Code PX-0129-NEG
 Name Aplique 45 leds 2W 4000K
Measur.
 Code PX-0129-NEG
 Name Aplique 45 leds 2W 4000K

Luminaire Flux	171.89 lm	Luminaire Power	3.00 W	Efficacy	57.30 lm/W	Efficiency	100.00%
Lamps Flux	171.89 lm	Maximum value	286.45 cd/klm	Position	C=0.00 G=0.00	CG	Double Symmetrical

Isolux (Floor)

Luminaire position X=0.00m Y=0.00m Z=2.50m

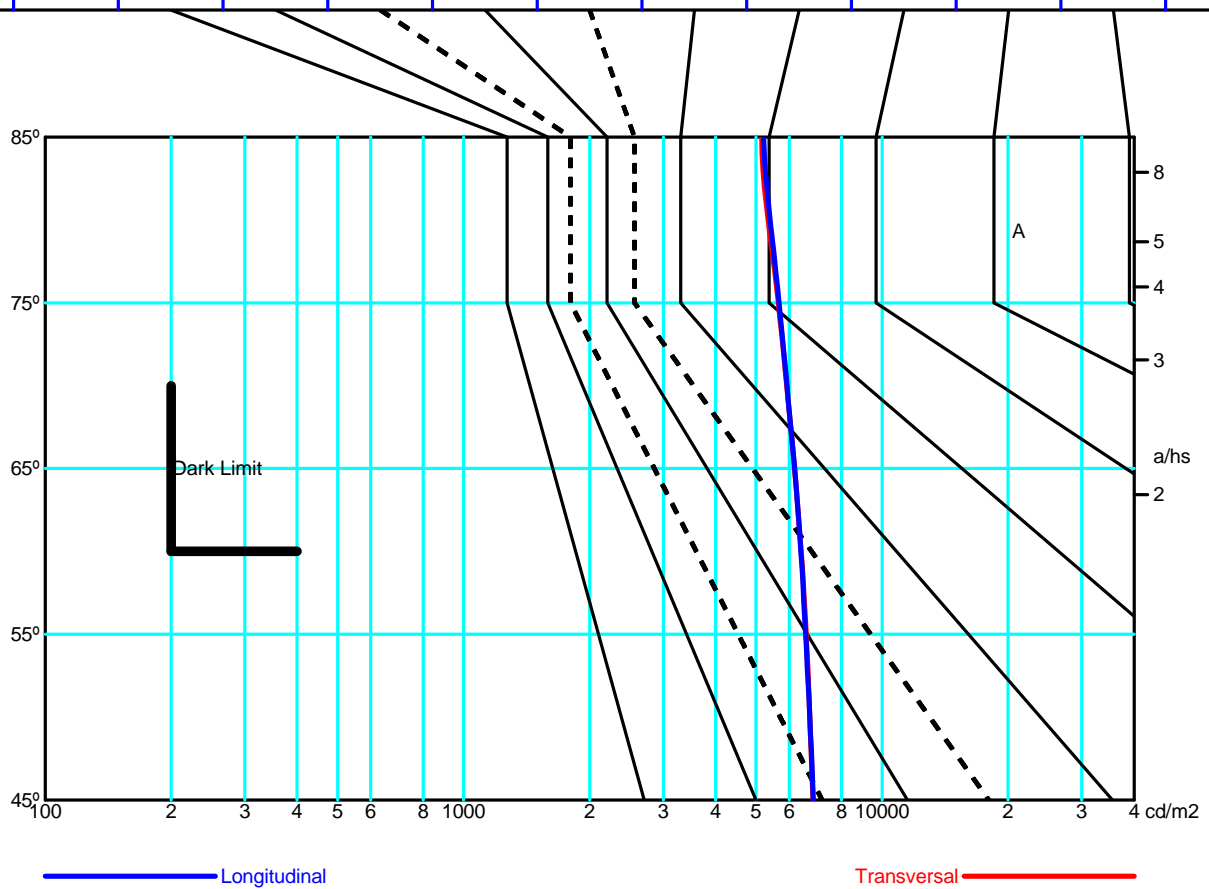


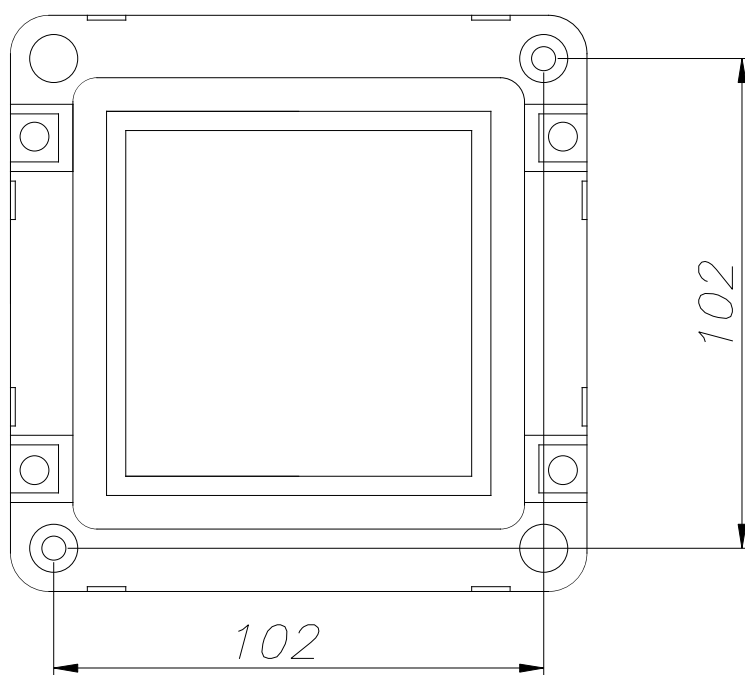
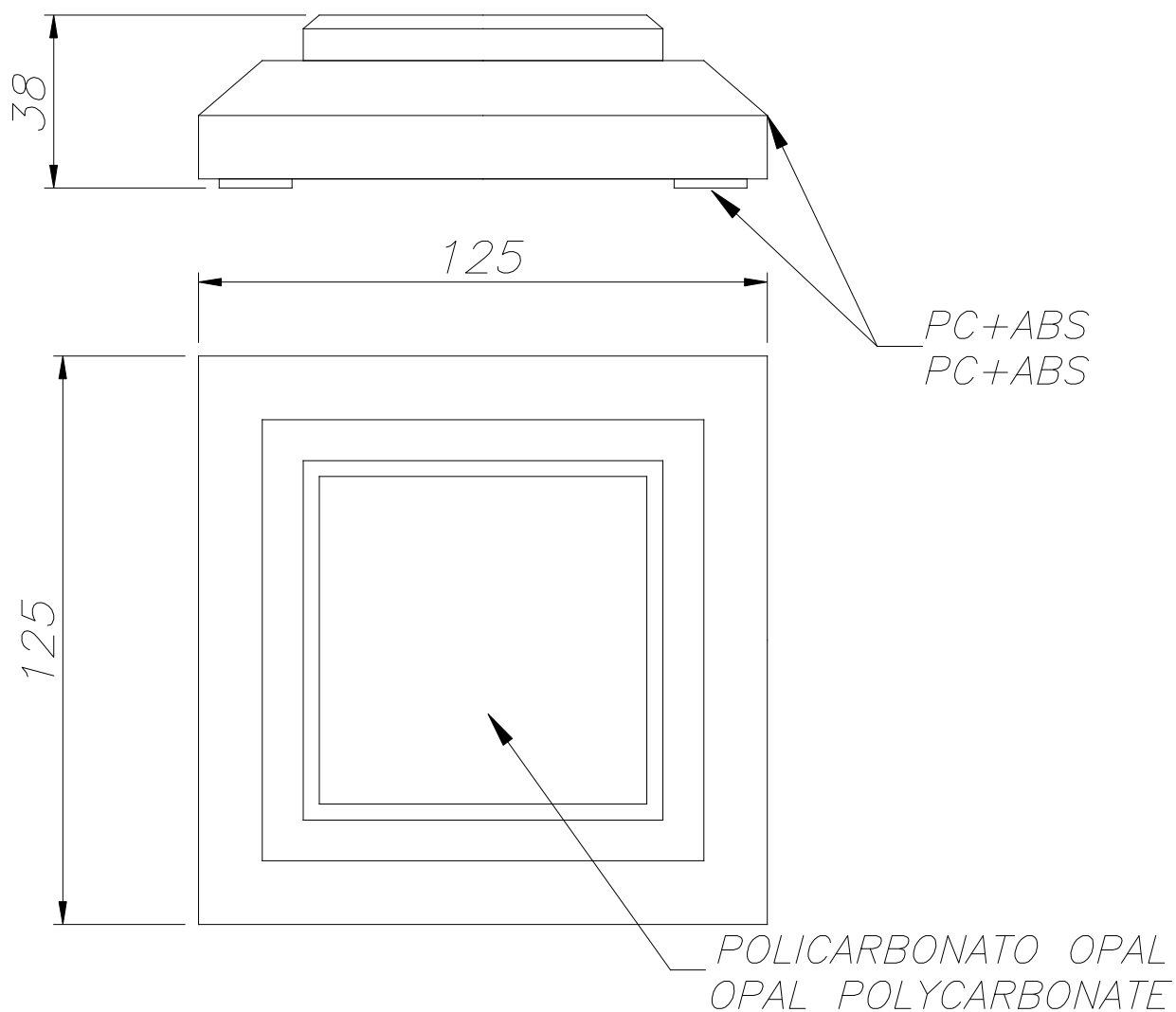
Luminaire
 Code PX-0129-NEG
 Name Aplique 45 leds 2W 4000K
Measur.
 Code PX-0129-NEG
 Name Aplique 45 leds 2W 4000K

Luminaire Flux	171.89 lm	Luminaire Power	3.00 W	Efficacy	57.30 lm/W	Efficiency	100.00%
Lamps Flux	171.89 lm	Maximum value	286.45 cd/klm	Position	C=0.00 G=0.00	CG	Double Symmetrical

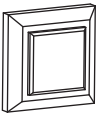
		Average Luminance [cd/m ²]									
		45°	50°	55°	60°	65°	70°	75°	80°	85°	
0.0°	6833	6720	6587	6405	6176	5913	5651	5340	5155	---	
90.0°	6846	6717	6564	6397	6180	5923	5675	5401	5212	--	

Flush mounted or longitudinal view												
		Illumination(lx)										
A	A	2000	1000	750	500		<300					1.15
B	1		2000	1500	1000	750	500	<300				1.5
C					2000		1000	500	<300			1.85
D	2						2000	1000	500	<300		2.2
E	3							2000	1000	500	<300	2.55





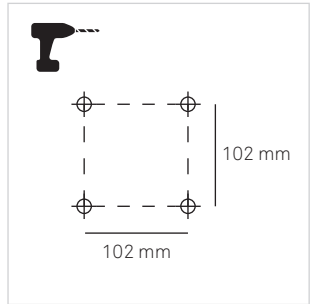
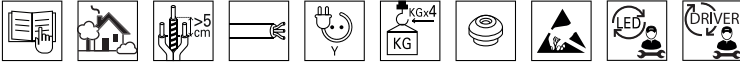
PLANTILLA DE INSTALACIÓN
INSTALLATION TEMPLATE



Grovè

PX-0129

FOR
LIGHT



1

2

3

4

x4

5

L L
N N

6

7

CLICK!

ON

