



PX-0395-GRI

V0

Loyd One Emission Wall fixture

Designer: N/A



Description

Wall light for outdoor use.

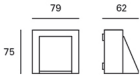
For downlighting. Structure material: Aluminium. Structure finish: Grey. Diffuser material: Glass. Diffuser finish: Transparent. Warranty: 5 Years.

Finish

Grey
Transparent

Material

Aluminium
Glass



IP54

Check Photometric file



20

TECHNICAL CHARACTERISTICS

Light source

Light source: LED CREE
Output (W): 2.1W
Total power consumption (W): 3.4
Color temperature: LED warm-white
3000K
CRI: 80
Photobiological risk: RG2
Real Lumen: 96
Qty Leds: 1
Lm/Real W: 28
Life Time: 36.000h L70B30
Bin / Grup: 7C1/7B4
MacAdam steps: 3
UGR: 10

GEAR

Brand: SINOBASE
Gear included: Yes, electronic
Voltage / Frequency: 100-240/50-60Hz
Power Factor: 0.40

Luminaire

Warranty: 5 Years

Logistics

Energy Efficiency: LED A++
EAN Code: 8435381493882
Net Weight (Kg): 0.300
Weight in Kg (packaged): 0.350
Packing: 85 x 70 x 85
Masterbox: 20

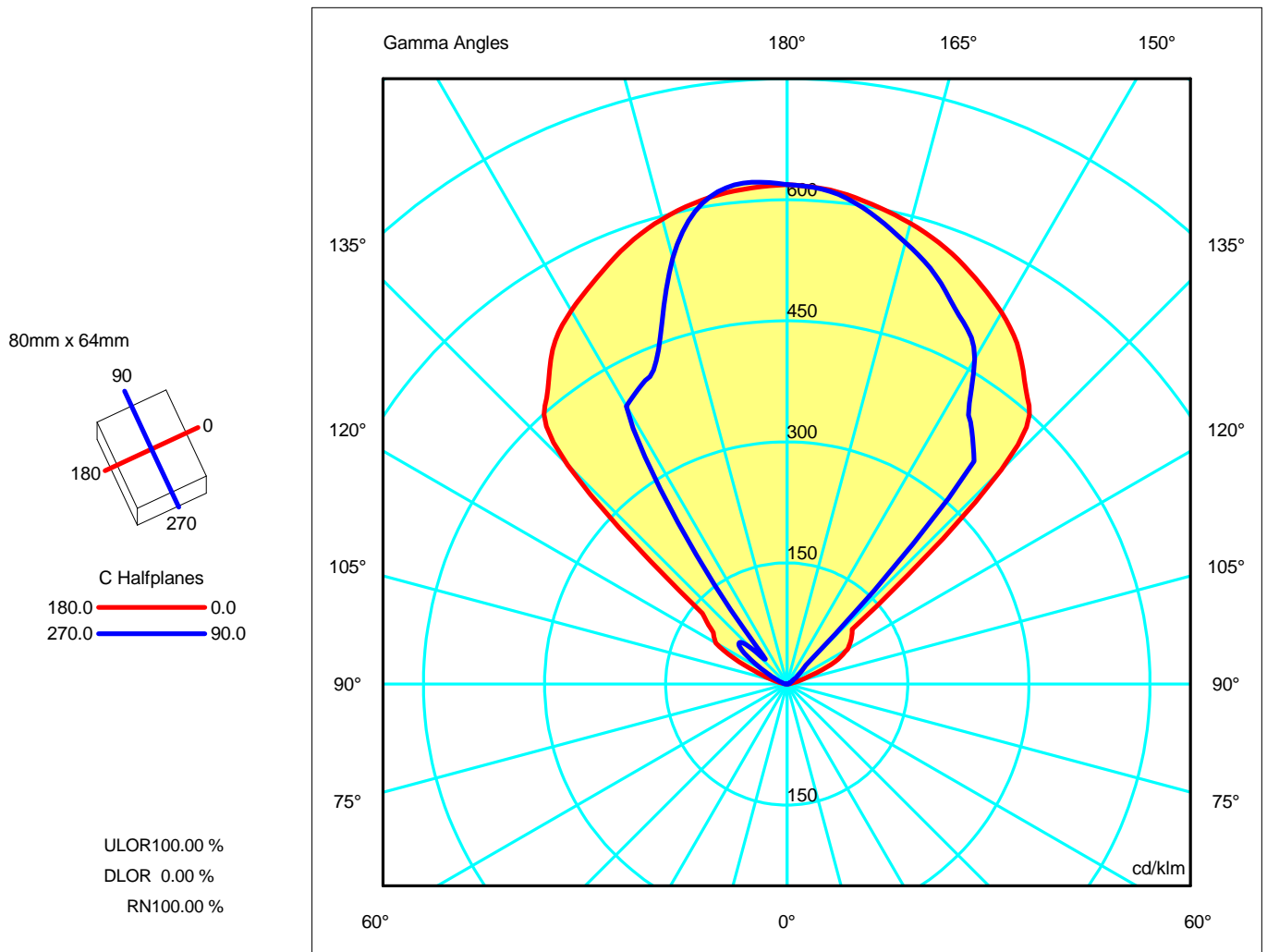
The photograph may not match the reference exactly. Please read the product description to identify the finish.

Luminaire

Code PX-0395-GRI
 Name Aplique led
Measur.
 Code PX-0395-GRI
 Name Aplique led

Luminaire Flux	96.36 lm	Luminaire Power	0.00 W	Efficacy	---	Efficiency	100.00%
Lamps Flux	96.36 lm	Maximum value	623.06 cd/klm	Position	C=270.00 G=175.00	CG	Asymmetrical
Rectangular Luminaire		Length	80 mm	Width	64 mm	Height	76 mm
Rectangular Luminous Area		Length	28 mm	Width	38 mm	Height	0 mm
Horizontal Luminous Area		0.001064 m2		Emitting area on Plane 180°		0.000000 m2	
Emitting area on Plane 0°		0.000000 m2		Emitting area on Plane 270°		0.000000 m2	
Emitting area on Plane 90°		0.000000 m2		Glare area at 76°		0.000257 m2	
Coordinate system		CG		Symmetry Type		Asymmetrical	
Date		07-09-2017		Maximum Gamma Angle		180	
Measurement Distance		0.00		Measurement Flux		96.36 lm	
Operator		LEDS		Source Voltage [V]			
Temperature		25.00 °C		Source current [A]			
Humidity		60.00 %		Photocell			
Notes							

Line	Code	Luminaire Lamps Name	Flux [lm]	Pow. [W]	Q.ty
	PX-0395-GRI	PX-0395-GRI	96.36	0.00	1
C.I.E.	0 0 0 0 100	D DIN 5040	--		
F UTE	1.00 T	B NBN	BZ 10		



Luminaire
 Code PX-0395-GRI
 Name Applique led
Measuram.
 Code PX-0395-GRI
 Name Applique led

Luminaire Flux	96.36 lm	Luminaire Power	0.00 W	Efficacy	---	Efficiency	100.00%
Lamps Flux	96.36 lm	Maximum value	623.06 cd/klm	Position	C=270.00 G=175.00	CG Asymmetrical	

Luminous Intensity Table cd/klm Table 1/1

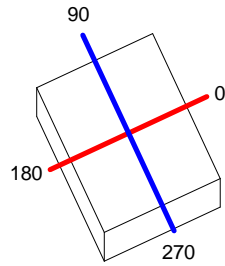
	C 0.00	C 15.00	C 30.00	C 45.00	C 60.00	C 75.00	C 90.00	C 105.00	C 120.00	C 135.00	C 150.00	C 165.00
G 0.0	0.00	0.00	0.00	0.00	0.00	0.00	0.00	0.00	0.00	0.00	0.00	0.00
G 5.0	0.00	0.00	0.00	0.00	0.00	0.00	0.00	0.00	0.00	0.00	0.00	0.00
G 10.0	0.00	0.00	0.00	0.00	0.00	0.00	0.00	0.00	0.00	0.00	0.00	0.00
G 15.0	0.00	0.00	0.00	0.00	0.00	0.00	0.00	0.00	0.00	0.00	0.00	0.00
G 20.0	0.00	0.00	0.00	0.00	0.00	0.00	0.00	0.00	0.00	0.00	0.00	0.00
G 25.0	0.00	0.00	0.00	0.00	0.00	0.00	0.00	0.00	0.00	0.00	0.00	0.00
G 30.0	0.00	0.00	0.00	0.00	0.00	0.00	0.00	0.00	0.00	0.00	0.00	0.00
G 35.0	0.00	0.00	0.00	0.00	0.00	0.00	0.00	0.00	0.00	0.00	0.00	0.00
G 40.0	0.00	0.00	0.00	0.00	0.00	0.00	0.00	0.00	0.00	0.00	0.00	0.00
G 45.0	0.00	0.00	0.00	0.00	0.00	0.00	0.00	0.00	0.00	0.00	0.00	0.00
G 50.0	0.00	0.00	0.00	0.00	0.00	0.00	0.00	0.00	0.00	0.00	0.00	0.00
G 55.0	0.00	0.00	0.00	0.00	0.00	0.00	0.00	0.00	0.00	0.00	0.00	0.00
G 60.0	0.00	0.00	0.00	0.00	0.00	0.00	0.00	0.00	0.00	0.00	0.00	0.00
G 65.0	0.00	0.00	0.00	0.00	0.00	0.00	0.00	0.00	0.00	0.00	0.00	0.00
G 70.0	0.00	0.00	0.00	0.00	0.00	0.00	0.00	0.00	0.00	0.00	0.00	0.00
G 75.0	0.00	0.00	0.00	0.00	0.00	0.00	0.00	0.00	0.00	0.00	0.00	0.00
G 80.0	0.00	0.00	0.00	0.00	0.00	0.00	0.00	0.00	0.00	0.00	0.00	0.00
G 85.0	0.00	0.00	0.00	0.00	0.00	0.00	0.00	0.00	0.00	0.00	0.00	0.00
G 90.0	0.02	0.02	0.02	0.02	0.01	0.02	0.02	0.02	0.01	0.01	0.01	0.02
G 95.0	0.81	0.54	0.38	0.26	0.21	0.19	0.21	0.22	0.23	0.26	0.40	0.45
G100.0	5.03	3.92	2.13	1.49	1.24	1.27	1.27	1.36	1.39	1.54	2.08	3.50
G105.0	15.10	13.41	5.28	3.07	2.48	2.35	2.27	2.41	2.62	3.20	4.94	12.21
G110.0	33.24	32.34	12.44	5.42	3.81	3.43	3.31	3.49	4.03	5.71	10.85	31.31
G115.0	66.08	63.46	32.72	8.74	5.89	5.28	4.98	5.35	6.16	9.37	26.02	66.47
G120.0	86.80	89.99	59.52	14.23	8.87	7.93	8.02	8.11	9.44	15.46	57.51	94.88
G125.0	97.49	88.46	63.13	35.74	15.06	12.74	13.63	12.71	15.08	29.52	72.18	97.16
G130.0	105.61	143.86	311.12	295.95	25.34	20.21	20.66	20.38	25.22	273.00	314.36	213.04
G135.0	375.35	382.19	386.51	352.38	325.91	99.91	32.77	74.05	294.14	287.99	390.49	380.65
G140.0	463.31	457.84	438.79	417.17	372.75	363.95	360.45	363.64	369.94	418.13	443.67	457.34
G145.0	502.32	497.73	482.07	461.32	440.25	411.03	396.74	410.39	439.02	462.17	479.52	499.82
G150.0	531.65	526.60	515.07	500.15	485.89	475.70	465.21	473.36	481.98	501.18	516.69	531.25
G155.0	554.13	551.67	542.90	532.39	519.82	510.82	504.33	509.33	520.58	535.63	544.83	554.62
G160.0	574.90	572.53	567.83	559.72	550.82	544.54	539.05	542.88	549.42	559.12	570.58	578.82
G165.0	591.03	589.86	585.60	580.19	575.61	571.36	566.60	567.45	572.54	581.21	590.00	595.59
G170.0	603.92	603.69	600.85	599.13	597.34	594.25	593.28	593.05	596.29	599.97	603.95	606.96
G175.0	614.57	612.01	612.01	611.63	612.22	612.10	612.86	611.04	611.78	612.98	615.05	615.40
G180.0	618.85	618.85	618.85	618.85	618.85	618.85	618.85	618.85	618.85	618.85	618.85	618.85

	C 180.00	C 195.00	C 210.00	C 225.00	C 240.00	C 255.00	C 270.00	C 285.00	C 300.00	C 315.00	C 330.00	C 345.00
G 0.0	0.00	0.00	0.00	0.00	0.00	0.00	0.00	0.00	0.00	0.00	0.00	0.00
G 5.0	0.00	0.00	0.00	0.00	0.00	0.00	0.00	0.00	0.00	0.00	0.00	0.00
G 10.0	0.00	0.00	0.00	0.00	0.00	0.00	0.00	0.00	0.00	0.00	0.00	0.00
G 15.0	0.00	0.00	0.00	0.00	0.00	0.00	0.00	0.00	0.00	0.00	0.00	0.00
G 20.0	0.00	0.00	0.00	0.00	0.00	0.00	0.00	0.00	0.00	0.00	0.00	0.00
G 25.0	0.00	0.00	0.00	0.00	0.00	0.00	0.00	0.00	0.00	0.00	0.00	0.00
G 30.0	0.00	0.00	0.00	0.00	0.00	0.00	0.00	0.00	0.00	0.00	0.00	0.00
G 35.0	0.00	0.00	0.00	0.00	0.00	0.00	0.00	0.00	0.00	0.00	0.00	0.00
G 40.0	0.00	0.00	0.00	0.00	0.00	0.00	0.00	0.00	0.00	0.00	0.00	0.00
G 45.0	0.00	0.00	0.00	0.00	0.00	0.00	0.00	0.00	0.00	0.00	0.00	0.00
G 50.0	0.00	0.00	0.00	0.00	0.00	0.00	0.00	0.00	0.00	0.00	0.00	0.00
G 55.0	0.00	0.00	0.00	0.00	0.00	0.00	0.00	0.00	0.00	0.00	0.00	0.00
G 60.0	0.00	0.00	0.00	0.00	0.00	0.00	0.00	0.00	0.00	0.00	0.00	0.00
G 65.0	0.00	0.00	0.00	0.00	0.00	0.00	0.00	0.00	0.00	0.00	0.00	0.00
G 70.0	0.00	0.00	0.00	0.00	0.00	0.00	0.00	0.00	0.00	0.00	0.00	0.00
G 75.0	0.00	0.00	0.00	0.00	0.00	0.00	0.00	0.00	0.00	0.00	0.00	0.00
G 80.0	0.00	0.00	0.00	0.00	0.00	0.00	0.00	0.00	0.00	0.00	0.00	0.00
G 85.0	0.00	0.00	0.00	0.00	0.00	0.00	0.00	0.00	0.00	0.00	0.00	0.00
G 90.0	0.02	0.02	0.02	0.03	0.07	0.04	0.05	0.05	0.08	0.05	0.04	0.03
G 95.0	0.80	0.73	0.69	0.68	0.67	0.67	0.58	0.53	0.43	0.53	0.57	0.84
G100.0	4.75	3.99	3.30	3.02	2.77	2.77	2.72	2.81	2.60	2.89	3.21	3.88
G105.0	15.05	11.40	7.39	6.37	5.67	5.91	5.73	5.83	5.53	6.03	7.20	10.12
G110.0	32.43	26.36	13.82	11.23	10.24	10.32	10.02	10.33	10.44	10.05	12.67	25.46
G115.0	65.30	57.91	22.00	18.68	20.00	17.68	17.28	18.10	20.23	16.47	19.61	55.63
G120.0	101.94	95.86	34.91	31.05	39.51	34.43	31.79	36.00	42.46	32.56	26.87	80.52
G125.0	111.45	102.79	52.75	38.32	61.44	62.50	60.03	65.22	64.24	38.62	38.46	79.85
G130.0	136.71	224.06	299.32	34.48	53.83	73.95	77.82	74.78	56.45	32.60	285.62	227.00
G135.0	383.88	400.68	333.49	196.28	42.85	58.05	63.89	58.29	45.26	116.42	324.42	385.40
G140.0	463.10	465.70	373.68	348.93	139.28	45.13	46.80	44.24	92.85	343.73	360.71	449.66
G145.0	505.91	507.78	418.77	379.03	374.12	306.15	195.20	284.94	373.74	375.28	403.61	498.55
G150.0	534.19	534.55	484.43	409.68	396.51	396.51	397.70	397.59	398.84	406.91	468.10	533.03
G155.0	556.17	561.61	542.52	463.40	429.96	419.68	415.21	420.61	430.11	456.20	534.46	563.45
G160.0	578.76	586.71	578.00	545.01	487.50	464.45	458.51	460.94	482.18	536.71	575.78	584.66
G165.0	596.56	602.52	602.25	591.47	571.28	554.61	546.50	553.89	569.23	591.00	601.36	599.04
G170.0	608.83	611.65	615.69	615.40	611.72	608.59	604.77	605.99	609.38	614.15	615.14	609.57
G175.0	615.61	616.05	619.17	621.16	622.37	622.62	623.06	622.42	622.59	620.79	618.68	616.34
G180.0	618.85	618.85	618.85	618.85	618.85	618.85	618.85	618.85	618.85	618.85	618.85	618.85

Luminaire
 Code PX-0395-GRI
 Name Aplique led
Measur.
 Code PX-0395-GRI
 Name Aplique led

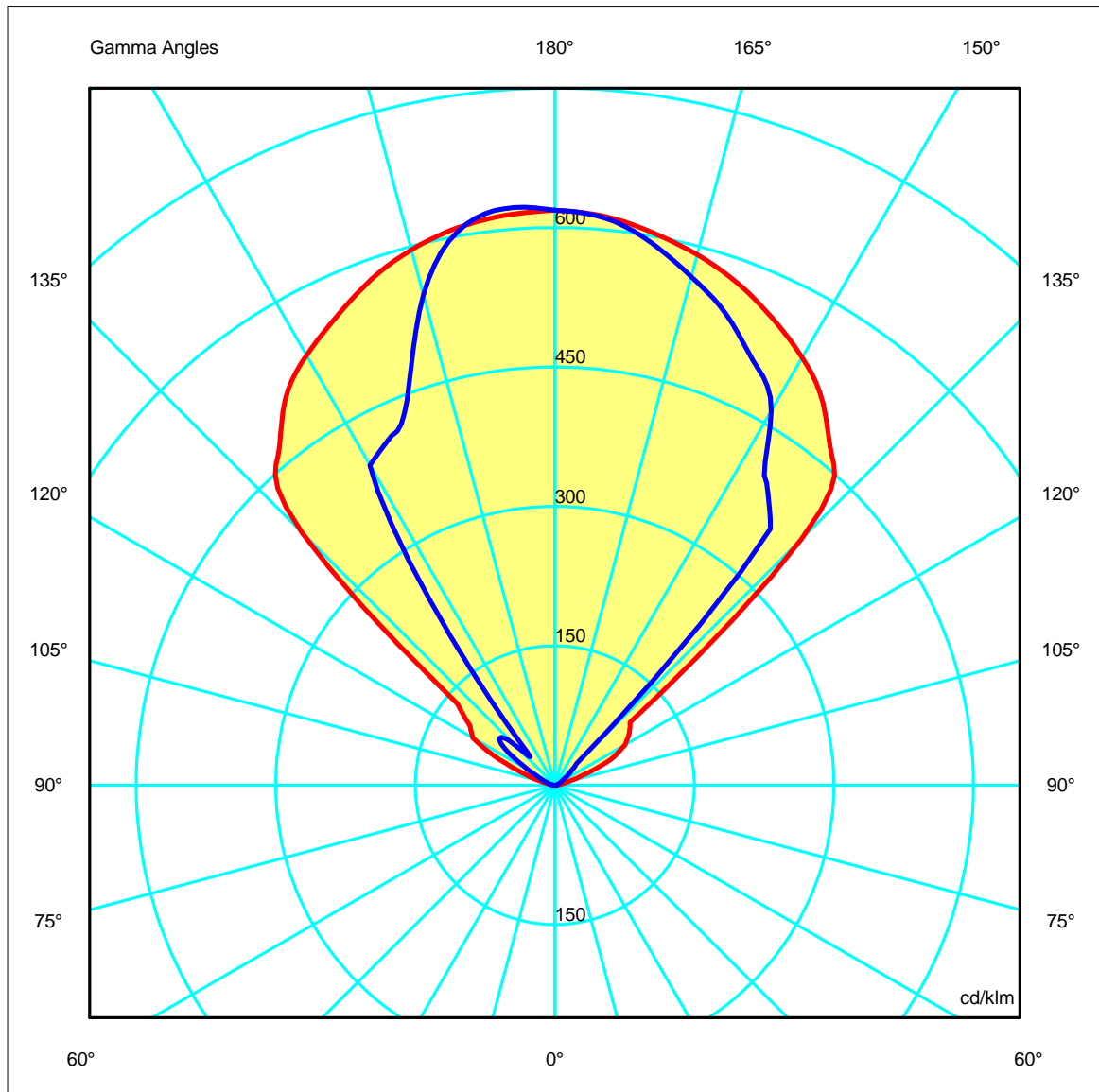
Luminaire Flux	96.36 lm	Luminaire Power	0.00 W	Efficacy	---	Efficiency	100.00%
Lamps Flux	96.36 lm	Maximum value	623.06 cd/klm	Position	C=270.00 G=175.00	CG	Asymmetrical

80mm x 64mm



C Halfplanes

180.0 ——— 0.0
 270.0 ——— 90.0



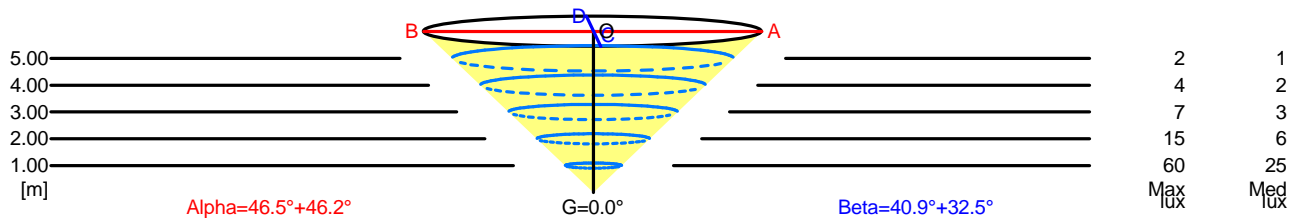
Luminaire
 Code PX-0395-GRI
 Name Aplique led
Measur.
 Code PX-0395-GRI
 Name Aplique led

Luminaire Flux	96.36 lm	Luminaire Power	0.00 W	Efficacy	---	Efficiency	100.00%
Lamps Flux	96.36 lm	Maximum value	623.06 cd/klm	Position	C=270.00 G=175.00	CG	Asymmetrical

Width at 50.00 % of Max Intensity

H[m]	1.00	2.00	3.00	4.00	5.00	H[m]	1.00	2.00	3.00	4.00	5.00
OA	1.04	2.09	3.13	4.18	5.22	OC	0.87	1.73	2.60	3.47	4.33
OB	1.05	2.11	3.16	4.22	5.27	OD	0.64	1.27	1.91	2.55	3.19

	Luminous Intensities [cd/klm]									
	0	5	15	25	35	45	55	65	75	85
OA	59.63	59.22	56.95	53.40	48.40	36.17	9.39	6.37	1.45	0.08
OB	59.63	59.32	57.48	53.59	48.75	36.99	10.74	6.29	1.45	0.08
OC	59.63	59.06	54.60	48.60	38.23	3.16	1.31	0.48	0.22	0.02
OD	59.63	60.04	52.66	40.01	18.81	6.16	5.78	1.67	0.55	0.06



5.00	10.50	2	1	
4.00	8.40	4	2	
3.00	6.30	7	3	
2.00	4.20	15	6	
1.00	2.10	60	25	
H[m]	D[m]	Max lux	Med lux	Alpha=46.5°+46.2° G=0.0

5.00	7.52	2	1	
4.00	6.02	4	2	
3.00	4.51	7	3	
2.00	3.01	15	6	
1.00	1.50	60	25	
H[m]	D[m]	Max lux	Med lux	Beta=32.5°+40.9° G=0.0



Luminaire
 Code PX-0395-GRI
 Name Aplique led
Measurement
 Code PX-0395-GRI
 Name Aplique led

Luminaire Flux	96.36 lm	Luminaire Power	0.00 W	Efficacy	---	Efficiency	100.00%
Lamps Flux	96.36 lm	Maximum value	623.06 cd/klm	Position	C=270.00 G=175.00	CG	Asymmetrical

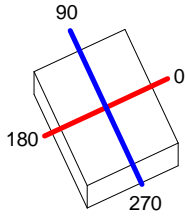
UGR
 S = 0.250

Reflectancies										
Ceiling/Cavity	0.7	0.7	0.5	0.5	0.3	0.7	0.7	0.5	0.5	0.3
Walls	0.5	0.3	0.5	0.3	0.3	0.5	0.3	0.5	0.3	0.3
WorkingPlane	0.2	0.2	0.2	0.2	0.2	0.2	0.2	0.2	0.2	0.2
RoomDimensions	ViewedCrosswise					ViewedEndwise				
x=2H y=2H	< 0	< 0	< 0	< 0	< 0	< 0	< 0	< 0	< 0	< 0
x=2H y=3H	< 0	< 0	< 0	< 0	< 0	< 0	< 0	< 0	< 0	< 0
x=2H y=4H	< 0	< 0	< 0	< 0	< 0	< 0	< 0	< 0	< 0	< 0
x=2H y=6H	< 0	< 0	< 0	< 0	< 0	< 0	< 0	< 0	< 0	< 0
x=2H y=8H	< 0	< 0	< 0	< 0	< 0	< 0	< 0	< 0	< 0	< 0
x=2H y=12H	< 0	< 0	< 0	< 0	< 0	< 0	< 0	< 0	< 0	< 0
x=4H y=2H	< 0	< 0	< 0	< 0	< 0	< 0	< 0	< 0	< 0	< 0
x=4H y=3H	< 0	< 0	< 0	< 0	< 0	< 0	< 0	< 0	< 0	< 0
x=4H y=4H	< 0	< 0	< 0	< 0	< 0	< 0	< 0	< 0	< 0	< 0
x=4H y=6H	< 0	< 0	< 0	< 0	< 0	< 0	< 0	< 0	< 0	< 0
x=4H y=8H	< 0	< 0	< 0	< 0	< 0	< 0	< 0	< 0	< 0	< 0
x=4H y=12H	< 0	< 0	< 0	< 0	< 0	< 0	< 0	< 0	< 0	< 0
x=8H y=4H	< 0	< 0	< 0	< 0	< 0	< 0	< 0	< 0	< 0	< 0
x=8H y=6H	< 0	< 0	< 0	< 0	< 0	< 0	< 0	< 0	< 0	< 0
x=8H y=8H	< 0	< 0	< 0	< 0	< 0	< 0	< 0	< 0	< 0	< 0
x=8H y=12H	< 0	< 0	< 0	< 0	< 0	< 0	< 0	< 0	< 0	< 0
x=12H y=4H	< 0	< 0	< 0	< 0	< 0	< 0	< 0	< 0	< 0	< 0
x=12H y=6H	< 0	< 0	< 0	< 0	< 0	< 0	< 0	< 0	< 0	< 0
x=12H y=8H	< 0	< 0	< 0	< 0	< 0	< 0	< 0	< 0	< 0	< 0

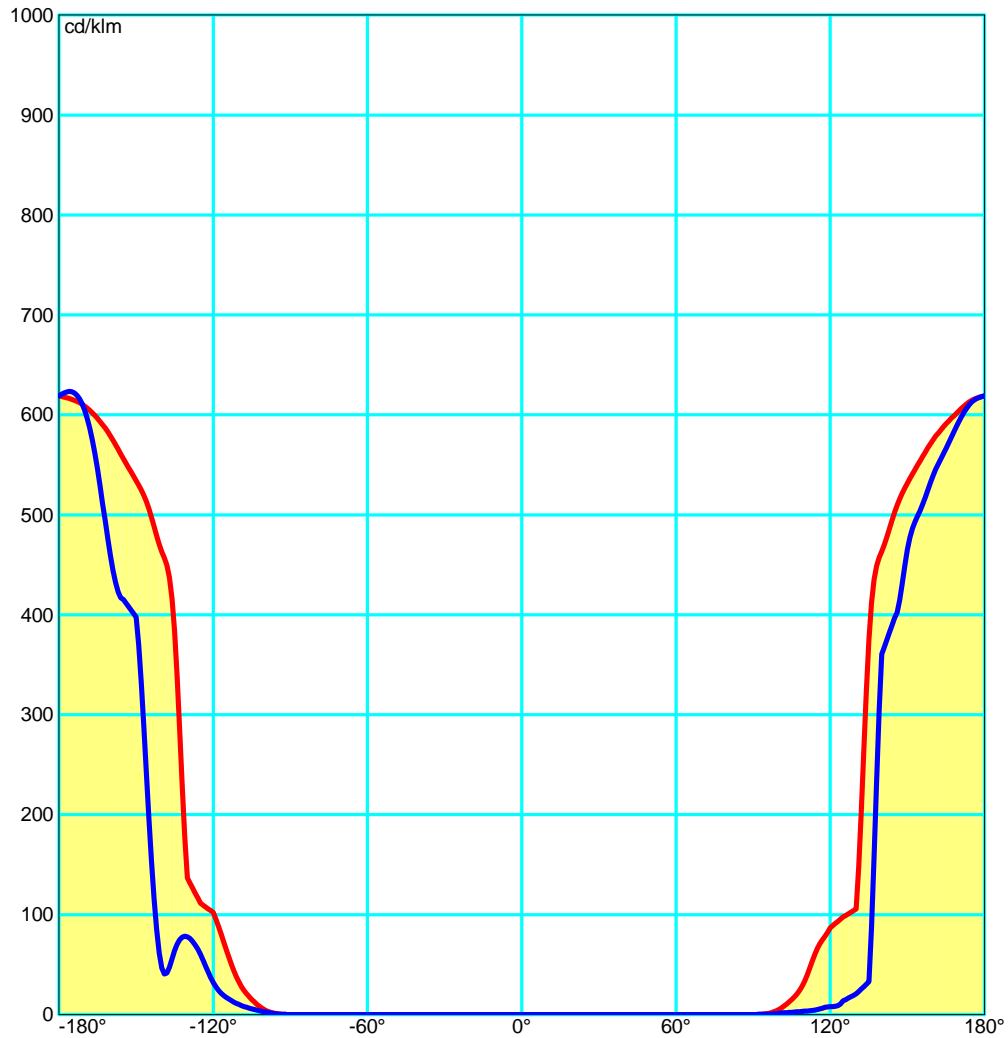
Luminaire
 Code PX-0395-GRI
 Name Aplique led
Measur.
 Code PX-0395-GRI
 Name Aplique led

Luminaire Flux	96.36 lm	Luminaire Power	0.00 W	Efficacy	---	Efficiency	100.00%
Lamps Flux	96.36 lm	Maximum value	623.06 cd/klm	Position	C=270.00 G=175.00	CG	Asymmetrical

80mm x 64mm



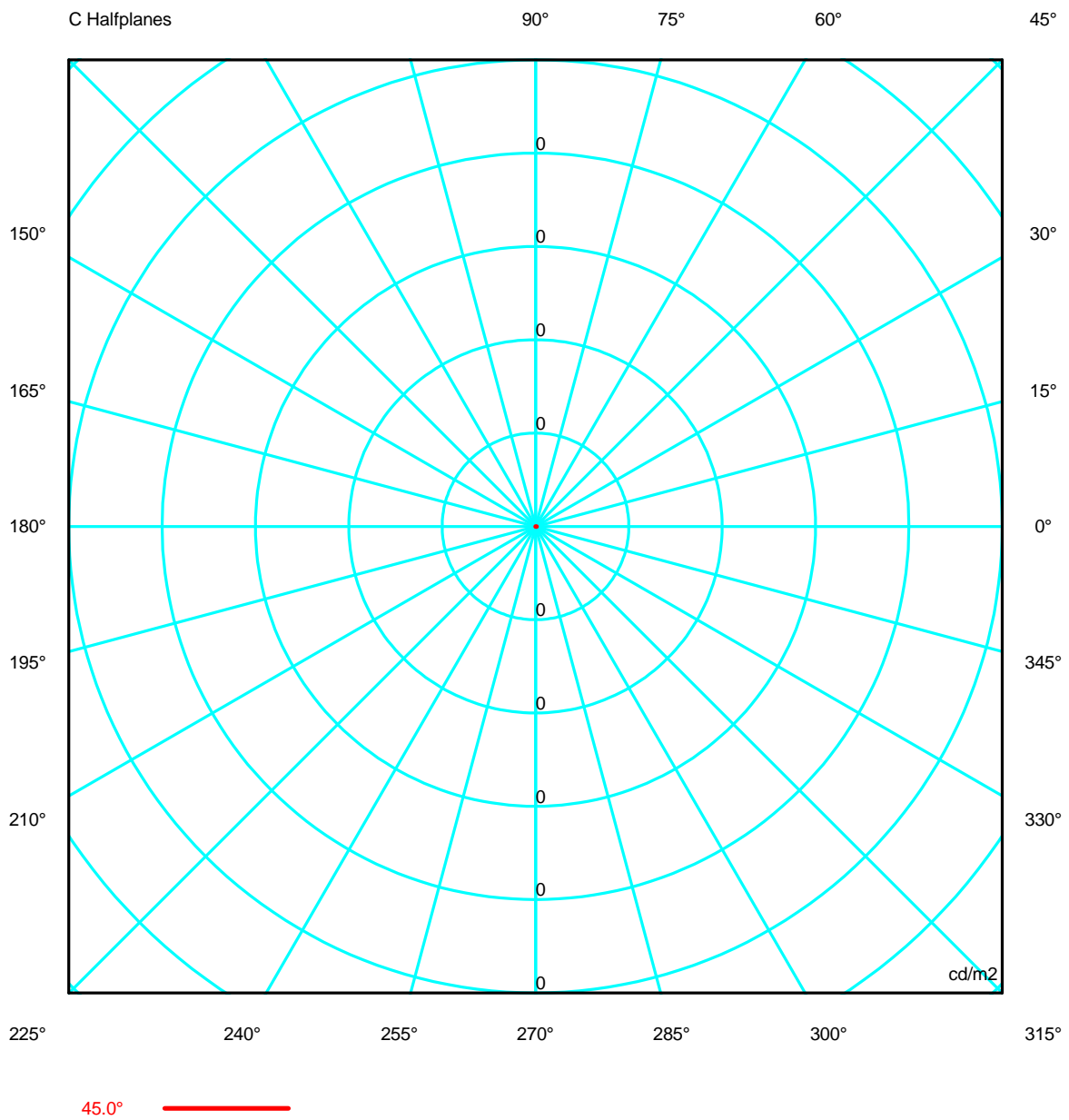
C Halfplanes
 180.0 ——— 0.0
 270.0 ——— 90.0



Luminaire
 Code PX-0395-GRI
 Name Aplique led
Measur.
 Code PX-0395-GRI
 Name Aplique led

Luminaire Flux	96.36 lm	Luminaire Power	0.00 W	Efficacy	---	Efficiency	100.00%
Lamps Flux	96.36 lm	Maximum value	623.06 cd/klm	Position	C=270.00 G=175.00	CG	Asymmetrical

Luminance





Luminaire
 Code PX-0395-GRI
 Name Applique led
Measur.
 Code PX-0395-GRI
 Name Applique led

Luminaire Flux	96.36 lm	Luminaire Power	0.00 W	Efficacy	---	Efficiency	100.00%
Lamps Flux	96.36 lm	Maximum value	623.06 cd/klm	Position	C=270.00 G=175.00	CG	Asymmetrical

Luminance cd/m2 Table 1/3

	C 0.00	C 10.00	C 20.00	C 30.00	C 40.00	C 50.00	C 60.00	C 70.00	C 80.00	C 90.00	C 100.00	C 110.00	C 120.00
G 0.0	0.00	0.00	0.00	0.00	0.00	0.00	0.00	0.00	0.00	0.00	0.00	0.00	0.00
G 5.0	0.00	0.00	0.00	0.00	0.00	0.00	0.00	0.00	0.00	0.00	0.00	0.00	0.00
G 10.0	0.00	0.00	0.00	0.00	0.00	0.00	0.00	0.00	0.00	0.00	0.00	0.00	0.00
G 15.0	0.00	0.00	0.00	0.00	0.00	0.00	0.00	0.00	0.00	0.00	0.00	0.00	0.00
G 20.0	0.00	0.00	0.00	0.00	0.00	0.00	0.00	0.00	0.00	0.00	0.00	0.00	0.00
G 25.0	0.00	0.00	0.00	0.00	0.00	0.00	0.00	0.00	0.00	0.00	0.00	0.00	0.00
G 30.0	0.00	0.00	0.00	0.00	0.00	0.00	0.00	0.00	0.00	0.00	0.00	0.00	0.00
G 35.0	0.00	0.00	0.00	0.00	0.00	0.00	0.00	0.00	0.00	0.00	0.00	0.00	0.00
G 40.0	0.00	0.00	0.00	0.00	0.00	0.00	0.00	0.00	0.00	0.00	0.00	0.00	0.00
G 45.0	0.00	0.00	0.00	0.00	0.00	0.00	0.00	0.00	0.00	0.00	0.00	0.00	0.00
G 50.0	0.00	0.00	0.00	0.00	0.00	0.00	0.00	0.00	0.00	0.00	0.00	0.00	0.00
G 55.0	0.00	0.00	0.00	0.00	0.00	0.00	0.00	0.00	0.00	0.00	0.00	0.00	0.00
G 60.0	0.00	0.00	0.00	0.00	0.00	0.00	0.00	0.00	0.00	0.00	0.00	0.00	0.00
G 65.0	0.00	0.00	0.00	0.00	0.00	0.00	0.00	0.00	0.00	0.00	0.00	0.00	0.00
G 70.0	0.00	0.00	0.00	0.00	0.00	0.00	0.00	0.00	0.00	0.00	0.00	0.00	0.00
G 75.0	0.00	0.00	0.00	0.00	0.00	0.00	0.00	0.00	0.00	0.00	0.00	0.00	0.00
G 80.0	0.00	0.00	0.00	0.00	0.00	0.00	0.00	0.00	0.00	0.00	0.00	0.00	0.00
G 85.0	0.00	0.00	0.00	0.00	0.00	0.00	0.00	0.00	0.00	0.00	0.00	0.00	0.00
G 90.0	0.00	0.00	0.00	0.00	0.00	0.00	0.00	0.00	0.00	0.00	0.00	0.00	0.00



Luminaire
 Code PX-0395-GRI
 Name Applique led
Measur.
 Code PX-0395-GRI
 Name Applique led

Luminaire Flux	96.36 lm	Luminaire Power	0.00 W	Efficacy	---	Efficiency	100.00%
Lamps Flux	96.36 lm	Maximum value	623.06 cd/klm	Position	C=270.00 G=175.00	CG	Asymmetrical

Luminance cd/m2 Table 2/3

	C 130.00	C 140.00	C 150.00	C 160.00	C 170.00	C 180.00	C 190.00	C 200.00	C 210.00	C 220.00	C 230.00	C 240.00	C 250.00
G 0.0	0.00	0.00	0.00	0.00	0.00	0.00	0.00	0.00	0.00	0.00	0.00	0.00	0.00
G 5.0	0.00	0.00	0.00	0.00	0.00	0.00	0.00	0.00	0.00	0.00	0.00	0.00	0.00
G 10.0	0.00	0.00	0.00	0.00	0.00	0.00	0.00	0.00	0.00	0.00	0.00	0.00	0.00
G 15.0	0.00	0.00	0.00	0.00	0.00	0.00	0.00	0.00	0.00	0.00	0.00	0.00	0.00
G 20.0	0.00	0.00	0.00	0.00	0.00	0.00	0.00	0.00	0.00	0.00	0.00	0.00	0.00
G 25.0	0.00	0.00	0.00	0.00	0.00	0.00	0.00	0.00	0.00	0.00	0.00	0.00	0.00
G 30.0	0.00	0.00	0.00	0.00	0.00	0.00	0.00	0.00	0.00	0.00	0.00	0.00	0.00
G 35.0	0.00	0.00	0.00	0.00	0.00	0.00	0.00	0.00	0.00	0.00	0.00	0.00	0.00
G 40.0	0.00	0.00	0.00	0.00	0.00	0.00	0.00	0.00	0.00	0.00	0.00	0.00	0.00
G 45.0	0.00	0.00	0.00	0.00	0.00	0.00	0.00	0.00	0.00	0.00	0.00	0.00	0.00
G 50.0	0.00	0.00	0.00	0.00	0.00	0.00	0.00	0.00	0.00	0.00	0.00	0.00	0.00
G 55.0	0.00	0.00	0.00	0.00	0.00	0.00	0.00	0.00	0.00	0.00	0.00	0.00	0.00
G 60.0	0.00	0.00	0.00	0.00	0.00	0.00	0.00	0.00	0.00	0.00	0.00	0.00	0.00
G 65.0	0.00	0.00	0.00	0.00	0.00	0.00	0.00	0.00	0.00	0.00	0.00	0.00	0.00
G 70.0	0.00	0.00	0.00	0.00	0.00	0.00	0.00	0.00	0.00	0.00	0.00	0.00	0.00
G 75.0	0.00	0.00	0.00	0.00	0.00	0.00	0.00	0.00	0.00	0.00	0.00	0.00	0.00
G 80.0	0.00	0.00	0.00	0.00	0.00	0.00	0.00	0.00	0.00	0.00	0.00	0.00	0.00
G 85.0	0.00	0.00	0.00	0.00	0.00	0.00	0.00	0.00	0.00	0.00	0.00	0.00	0.00
G 90.0	0.00	0.00	0.00	0.00	0.00	0.00	0.00	0.00	0.00	0.00	0.00	0.00	0.00



Luminaire

Code PX-0395-GRI
Name Aplique led

Measur.

Code PX-0395-GRI
Name Aplique led

Luminaire Flux	96.36 lm	Luminaire Power	0.00 W	Efficacy	---	Efficiency	100.00%
Lamps Flux	96.36 lm	Maximum value	623.06 cd/klm	Position	C=270.00 G=175.00	CG	Asymmetrical

Luminance cd/m2 Table 3/3

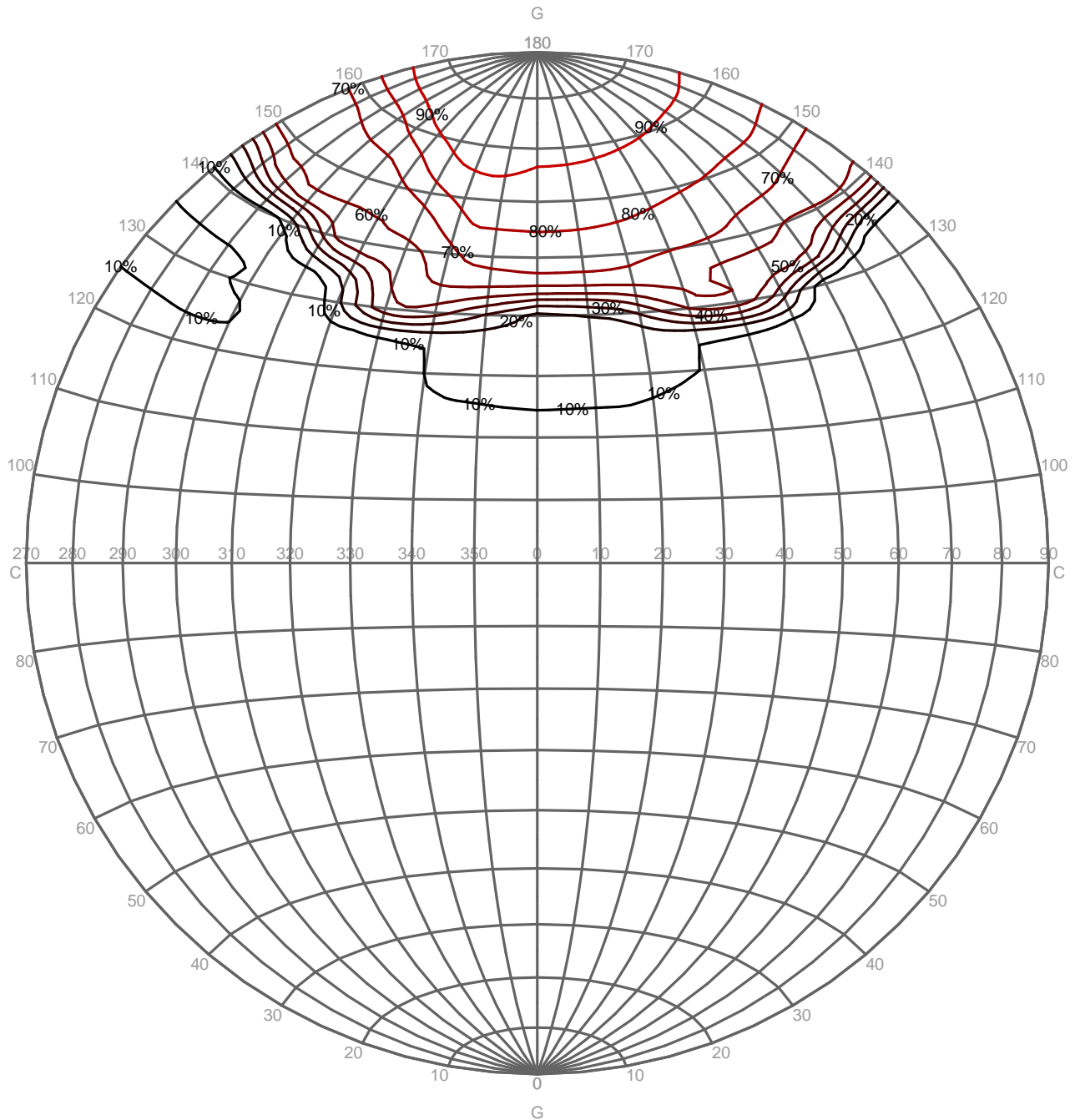
	C 260.00	C 270.00	C 280.00	C 290.00	C 300.00	C 310.00	C 320.00	C 330.00	C 340.00	C 350.00
G 0.0	0.00	0.00	0.00	0.00	0.00	0.00	0.00	0.00	0.00	0.00
G 5.0	0.00	0.00	0.00	0.00	0.00	0.00	0.00	0.00	0.00	0.00
G 10.0	0.00	0.00	0.00	0.00	0.00	0.00	0.00	0.00	0.00	0.00
G 15.0	0.00	0.00	0.00	0.00	0.00	0.00	0.00	0.00	0.00	0.00
G 20.0	0.00	0.00	0.00	0.00	0.00	0.00	0.00	0.00	0.00	0.00
G 25.0	0.00	0.00	0.00	0.00	0.00	0.00	0.00	0.00	0.00	0.00
G 30.0	0.00	0.00	0.00	0.00	0.00	0.00	0.00	0.00	0.00	0.00
G 35.0	0.00	0.00	0.00	0.00	0.00	0.00	0.00	0.00	0.00	0.00
G 40.0	0.00	0.00	0.00	0.00	0.00	0.00	0.00	0.00	0.00	0.00
G 45.0	0.00	0.00	0.00	0.00	0.00	0.00	0.00	0.00	0.00	0.00
G 50.0	0.00	0.00	0.00	0.00	0.00	0.00	0.00	0.00	0.00	0.00
G 55.0	0.00	0.00	0.00	0.00	0.00	0.00	0.00	0.00	0.00	0.00
G 60.0	0.00	0.00	0.00	0.00	0.00	0.00	0.00	0.00	0.00	0.00
G 65.0	0.00	0.00	0.00	0.00	0.00	0.00	0.00	0.00	0.00	0.00
G 70.0	0.00	0.00	0.00	0.00	0.00	0.00	0.00	0.00	0.00	0.00
G 75.0	0.00	0.00	0.00	0.00	0.00	0.00	0.00	0.00	0.00	0.00
G 80.0	0.00	0.00	0.00	0.00	0.00	0.00	0.00	0.00	0.00	0.00
G 85.0	0.00	0.00	0.00	0.00	0.00	0.00	0.00	0.00	0.00	0.00
G 90.0	0.00	0.00	0.00	0.00	0.00	0.00	0.00	0.00	0.00	0.00

Luminaire
 Code PX-0395-GRI
 Name Aplique led
Measur.
 Code PX-0395-GRI
 Name Aplique led

Luminaire Flux	96.36 lm	Luminaire Power	0.00 W	Efficacy	---	Efficiency	100.00%
Lamps Flux	96.36 lm	Maximum value	623.06 cd/klm	Position	C=270.00 G=175.00	CG	Asymmetrical

PERCENTAGE ISOCANDLES

Projection: Equal Area Tilting Angle:0°

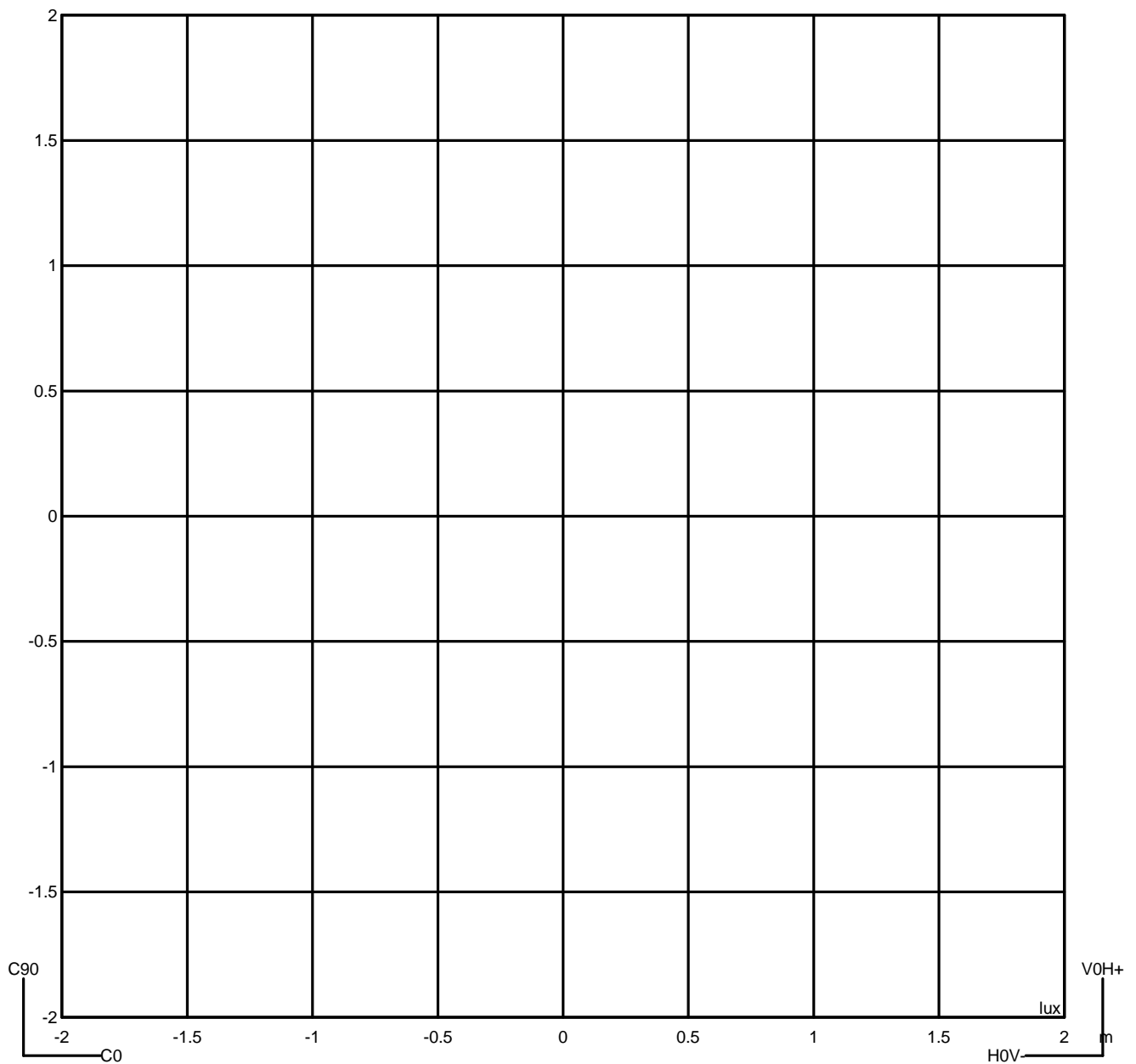


Luminaire
 Code PX-0395-GRI
 Name Applique led
Measur.
 Code PX-0395-GRI
 Name Applique led

Luminaire Flux	96.36 lm	Luminaire Power	0.00 W	Efficacy	---	Efficiency	100.00%
Lamps Flux	96.36 lm	Maximum value	623.06 cd/klm	Position	C=270.00 G=175.00	CG	Asymmetrical

Isolux (Floor)

Luminaire position X=0.00m Y=0.00m Z=2.50m



Luminaire
 Code PX-0395-GRI
 Name Aplique led
Measur.
 Code PX-0395-GRI
 Name Aplique led

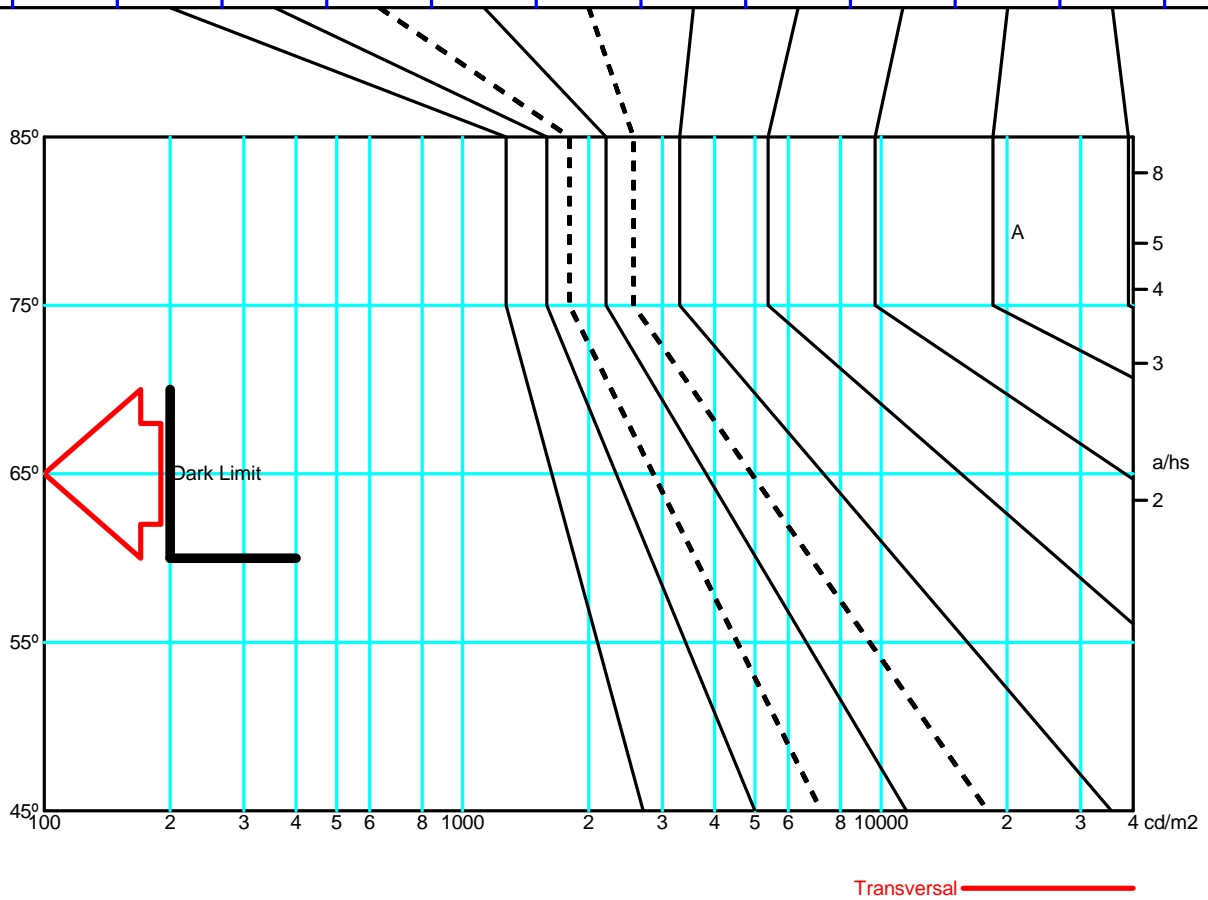
Luminaire Flux	96.36 lm	Luminaire Power	0.00 W	Efficacy	---	Efficiency	100.00%
Lamps Flux	96.36 lm	Maximum value	623.06 cd/klm	Position	C=270.00 G=175.00	CG	Asymmetrical

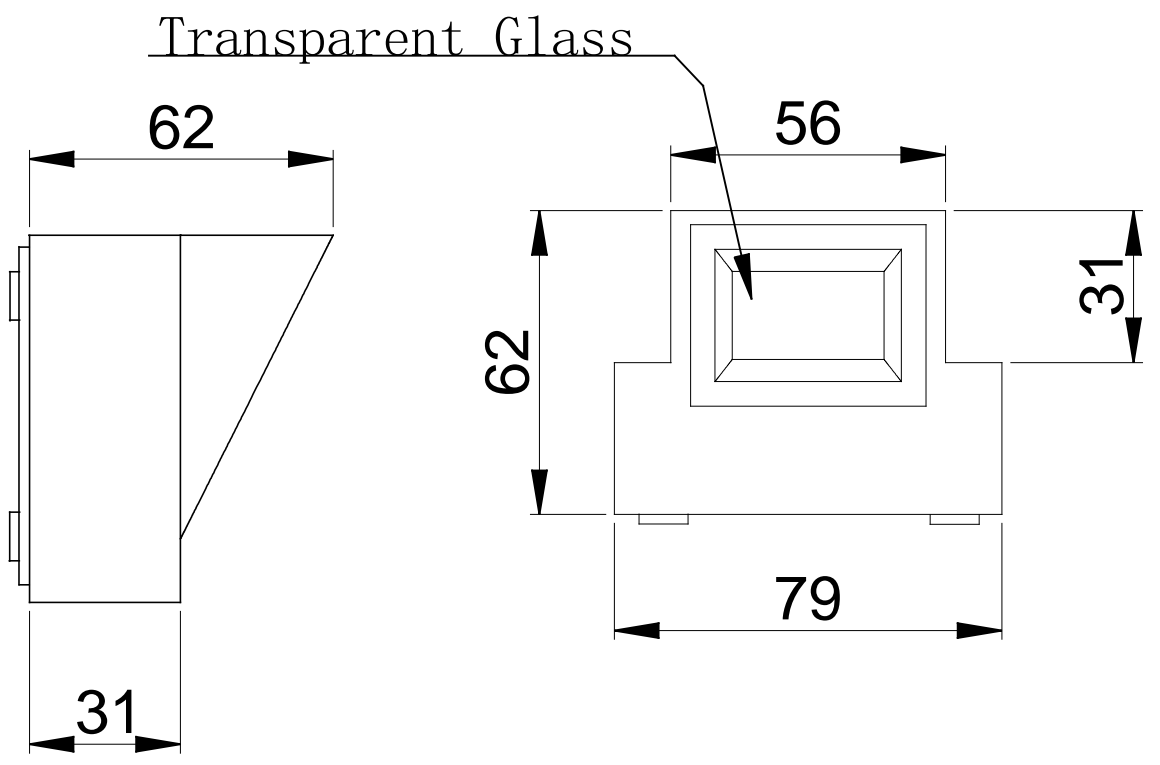
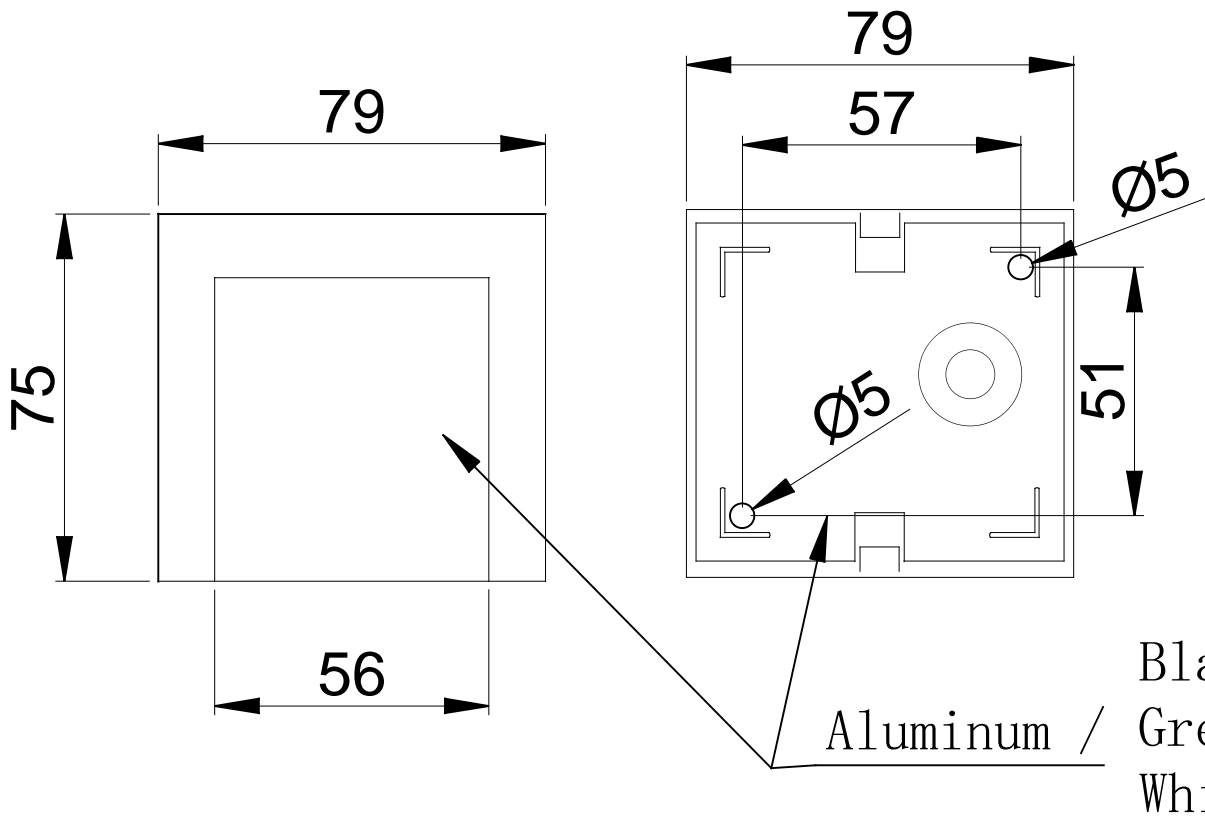
Average Luminance [cd/m²]

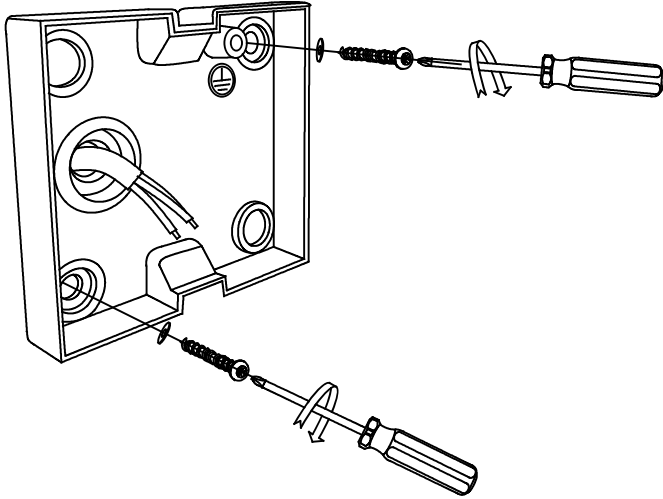
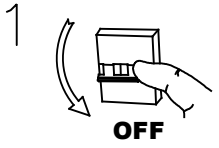
0.0° 45° 50° 55° 60° 65° 70° 75° 80° 85° ---

0 0 0 0 0 0 0 0 0 ---

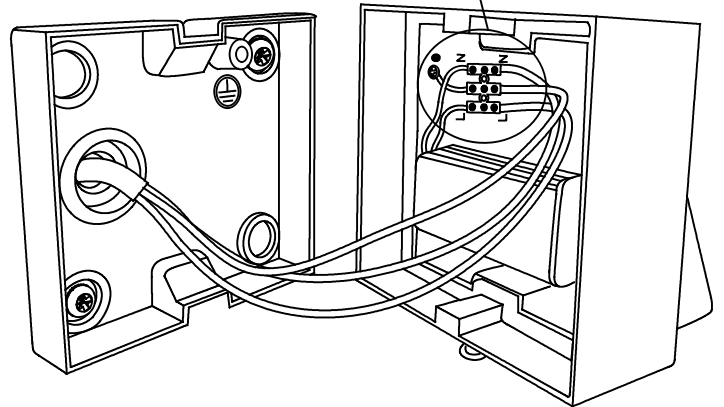
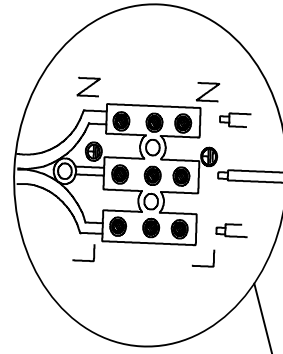
Flush mounted or longitudinal view												
		Illumination(lx)										
A	A	2000	1000	750	500		<300					1.15
B	1		2000	1500	1000	750	500	<300				1.5
C					2000		1000	500	<300			1.85
D	2						2000	1000	500	<300		2.2
E	3							2000	1000	500	<300	2.55



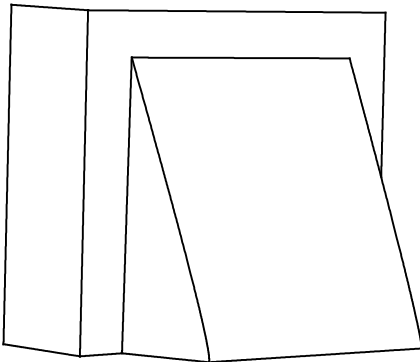
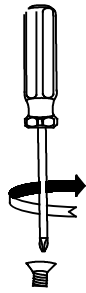




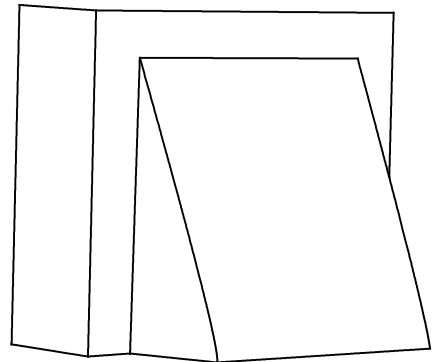
2



3



4



ON

