

PSM3-40/1000 PV

77707852



Surge Protection Device Type 2, 40kA I_{max} (8/20), Y PV, 1000Vdc, Photovoltaic, 3 Poles, Pluggable, 3 Modules

[Link to the product page](#)

Technical Data	Value	Units
Commercial data		
Code	77707852	
Part Number	PSM3-40/1000 PV	
Status	Available	
EAN	8435297826637	
Tariff code (HS)	8536.30.90	
Dimensions		
Product height	90	[mm]
Product width	54	[mm]
Product length	70	[mm]
Product weight	344	[gr]
General data		
Internal configuration	Y	
No. poles	3	
No. DIN rail modules	3	
Installation	(L+/PE/L-)	
Format	Pluggable	
Network configuration	PV	
Product standards	IEC 61643-31; EN 50539-11	
Certifications	CE; UL+C 1449 4th Edition	
Designation according to EN 50539-11	PV Type 2	
Insulating material & flammability class	PA6 CT1; V-0	
Enclosure	IP 20	
Temperature range	-40 °C ... +85 °C	

Technical features

Supply voltage		1000 [Vdc]	
Maximum continuous operating voltage DC	Ucpv	1060	[V]
Maximum discharge current (8/20) (L-L)	I _{max} (L-L)	40	[kA]
Nominal discharge current (8/20) (L-L)	I _n (L-L)	20	[kA]
Nominal discharge current (8/20)	I _n	20	[kA]
Voltage protection level (L-L) at I _n	U _p (L-L)	4,0	[kV]
Voltage protection level (L-PE) at I _n	U _p (L-PE)	4,0	[kV]
Short circuit withstand	I _{scpv}	10000	[A]
Response time (L-L)	t _A (L-L)	25	[ns]
Remote indication		No	
Visual end of life indication		Yes	
Dynamic thermal disconnection (L-L)		Yes	

UL Technical features

File UL		E360120	
SPD UL Type		2CA	
Maximum continuous operating voltage (DC+-DC-)	MCOV (DC+-DC-)	1000	[V]
Maximum continuous operating voltage (DC+ -G)	MCOV (DC+ -G)	1000	[V]
Maximum continuous operating voltage (DC- - G)	MCOV (DC- - G)	1000	[V]
Nominal discharge current (UL)	I _n	20	[kA]
Voltage protection rating (DC+ - DC-)	VPR (DC+ - DC-)	3000	[V]
Voltage protection rating (DC+ - PE)	VPR (DC+ - G)	3000	[V]
Voltage protection rating (DC- - PE)	VPR (DC- - G)	3000	[V]
Short circuit current rating	SCCR	50	[kA]

Certifications	Value	Units
Product standards	IEC 61643-31; EN 50539-11	
Certifications	CE; UL+C 1449 4th Edition	

Accessories



Código

77707657

Referencia

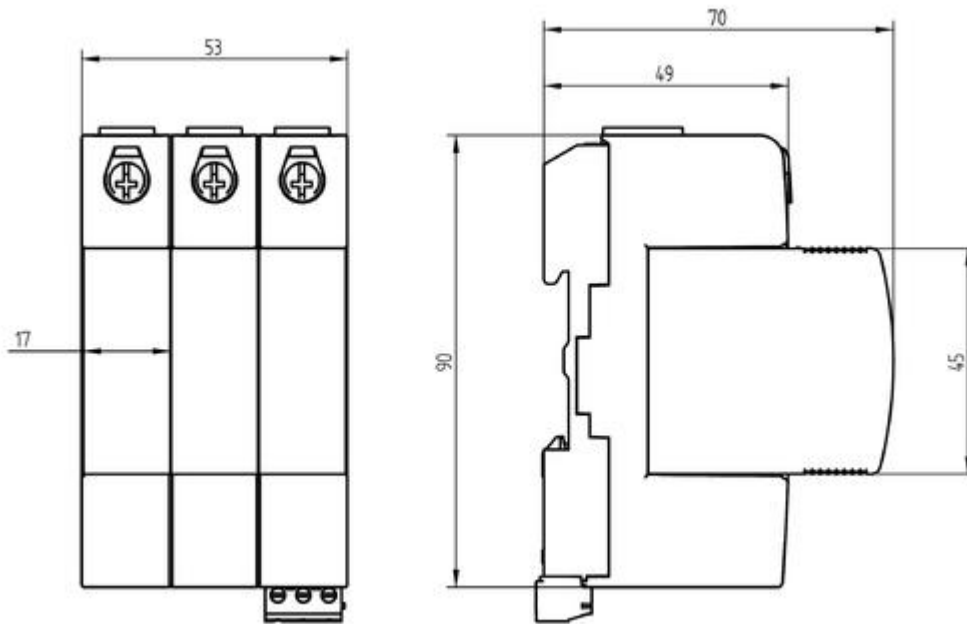
PSM-40/1000 PV

Description

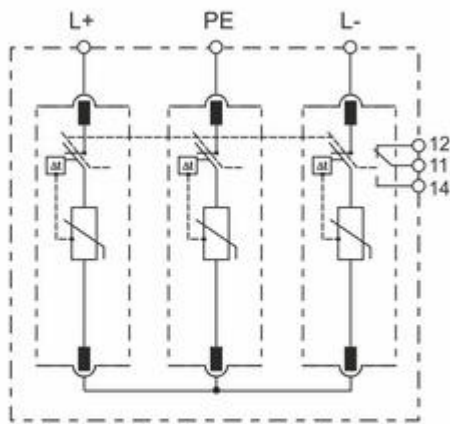
**Replaceable module, Type2, L-N,
40kA(8/20), 585V DC, PV**

Wiring diagrams

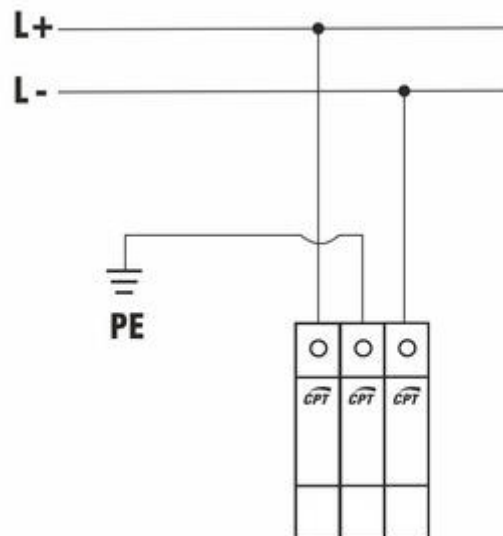
Dimensions



Internal configuration



Wiring diagram



Downloads

Install sheet

[CPT-FAP-PROTECCION-CONTRA-SOBRETENSIONES-PSM3-40-PV.pdf](#)

Address



Barcelona

Cirprotec, S.L.U.

C/ Lepanto, 49

08223 - Terrassa (Barcelona)

Tel. +34 937 331 684

Fax. +34 93 733 27 64

www.cirprotec.com

Copyright © Cirprotec, S.L.

[Legal Notice](#)