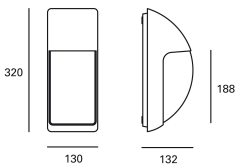




Area

PX-0352-NEG

Aplique IP65 Area E27 15W Negro 1263lm



CARACTERÍSTICAS TÉCNICAS

IP65 IK09



Consumo total de la luminaria (W) : 15W

Lúmenes reales : 1263

Lúmenes nominales : 0

Lm / W reales : 84

Material de la estructura : Policarbonato + ABS

Acabado estructura : Negro

Material del difusor : Policarbonato

Acabado difusor : Opal

Medida máx. de la bombilla : 150/55 mm

Bombilla recomendada : E27

Voltaje / Frecuencia : 100-240V/50-60Hz

Garantía : 5 Años

Resistencia ambientes marinos : Sí

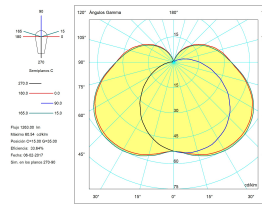
CARACTERÍSTICAS LUMINOTÉCNICAS

CRI: NA

MacAdam steps: NA

Riesgo fotobiológico: NA

Portalámparas	Cantidad	Potencia fuente de luz (W)
E27	1	Potencia máx. 15W



LOGÍSTICA

Peso neto (Kg): 0.55

Peso embalado (Kg): 0.79

Embalaje: 140mm x 140mm x 330mm



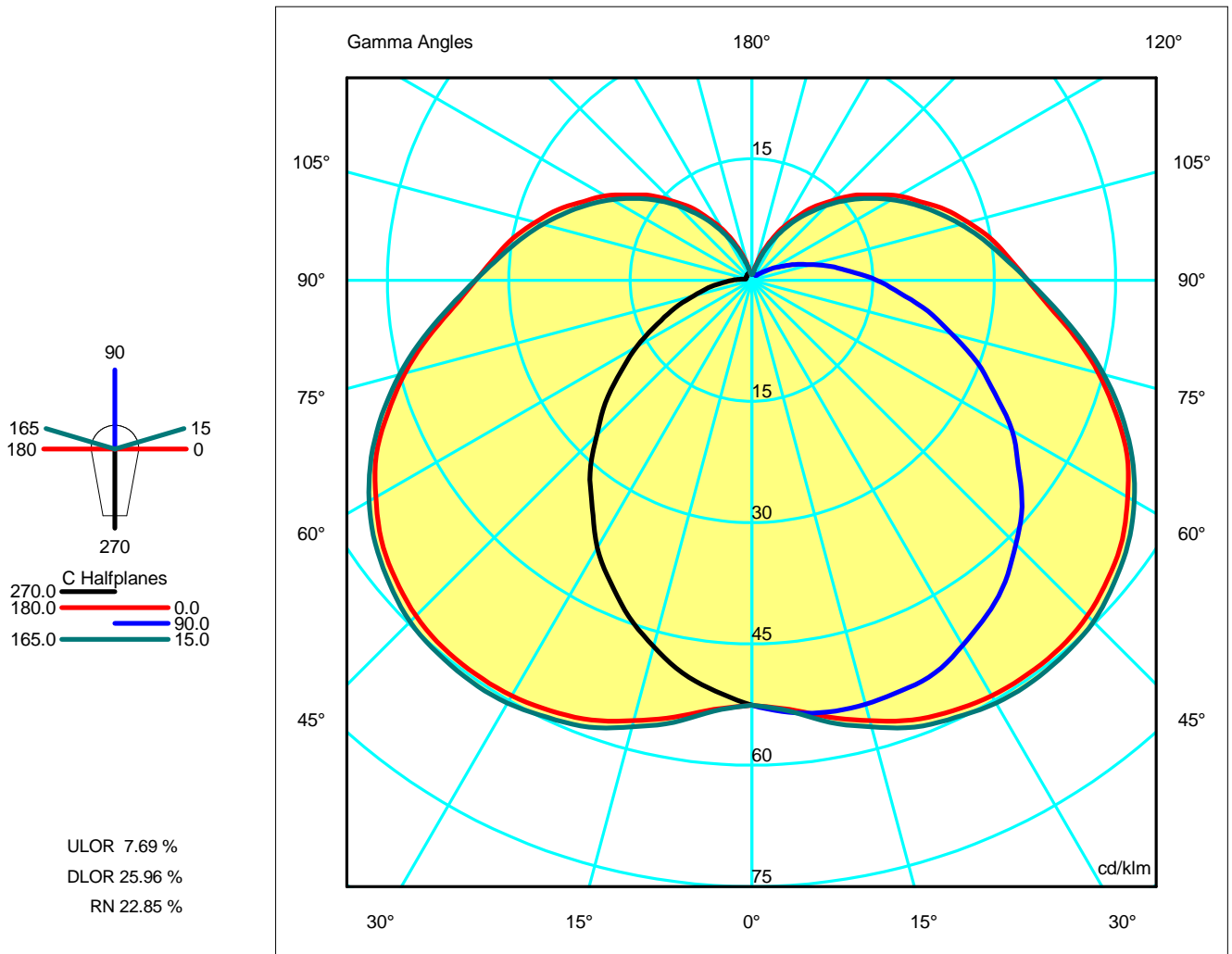


Luminaire

Code PX-0352-NEG
 Name Aplique AREA 20W CFL E27
Measur.
 Code CL116A17F032G
 Name Aplique AREA 20W CFL E27

Luminaire Flux	424.92 lm	Luminaire Power	20.00 W	Efficacy	21.25 lm/W	Efficiency	33.64%
Lamps Flux	1263.00 lm	Maximum value	60.54 cd/klm	Position	C=15.00 G=35.00	CG Sym. on planes 270-90	
Rectangular Luminaire		Length	320 mm	Width	130 mm	Height	132 mm
Rectangular Luminous Area		Length	200 mm	Width	115 mm	Height	80 mm
Horizontal Luminous Area	0.023000 m2	Emitting area on Plane 180°		0.016000 m2			
Emitting area on Plane 0°	0.016000 m2	Emitting area on Plane 270°		0.009200 m2			
Emitting area on Plane 90°	0.009200 m2	Glare area at 76°		0.021089 m2			
Coordinate system	CG Roads	Symmetry Type		Sym. on planes 270-90			
Date	06-02-2017	Maximum Gamma Angle		180			
Measurement Distance	0.00	Measurement Flux		1263.00 lm			
Operator	Asselum T2	Source Voltage [V]		180			
Temperature	25.00 °C	Source current [A]		Photocell			
Humidity	60.00 %						
Notes							

Line	Luminaire Lamps					
	Code	Name	Flux [lm]	Pow. [W]	Q.ty	
	PL-E 20W E27	PL-E 20W E27	1263.00	20.00	1	
C.I.E.	32 60 83 77 34	D DIN 5040	B21			





Luminaire

Code PX-0352-NEG
Name Aplique AREA 20W CFL E27

Measurerm.

Code CL116A17F032G
Name Aplique AREA 20W CFL E27

Luminaire Flux	424.92 lm	Luminaire Power	20.00 W	Efficacy	21.25 lm/W	Efficiency	33.64%
Lamps Flux	1263.00 lm	Maximum value	60.54 cd/klm	Position	C=15.00 G=35.00	CG	Sym. on planes 270-90

Luminous Intensity Table cd/klm Table 1/1

	C 270.00	C 285.00	C 300.00	C 315.00	C 330.00	C 345.00	C 0.00	C 15.00	C 30.00	C 45.00	C 60.00	C 75.00	C 90.00
G 0.0	52.57	52.57	52.57	52.57	52.57	52.57	52.57	52.57	52.57	52.57	52.57	52.57	52.57
G 5.0	51.03	51.26	51.58	51.78	52.39	52.61	53.29	53.48	53.36	53.63	53.58	53.50	53.65
G 10.0	49.32	49.69	50.39	51.36	53.07	53.52	54.85	55.53	54.84	55.24	54.46	54.08	54.22
G 15.0	46.89	47.88	49.47	51.47	53.61	54.82	56.40	57.18	56.80	56.66	55.48	54.28	54.30
G 20.0	44.30	45.70	48.28	51.09	53.96	56.01	57.88	58.81	58.17	57.77	56.13	54.22	54.04
G 25.0	41.25	43.38	46.88	50.45	53.90	56.67	58.76	59.67	59.41	58.57	56.66	53.96	53.60
G 30.0	38.19	40.87	44.84	49.48	53.52	56.96	59.33	60.39	59.90	58.77	56.46	53.19	52.13
G 35.0	34.34	38.04	42.89	48.14	52.74	56.83	59.47	60.54	60.32	58.53	56.03	52.01	50.61
G 40.0	31.07	35.07	40.23	46.62	51.55	56.14	59.33	60.29	60.13	57.91	54.95	50.52	48.71
G 45.0	27.06	31.92	37.82	44.36	49.91	55.31	58.69	59.73	59.43	56.78	53.49	48.40	46.15
G 50.0	23.63	28.78	34.87	42.33	47.99	54.00	57.47	58.40	58.28	55.11	51.61	45.92	43.61
G 55.0	19.75	25.55	32.20	39.62	45.71	52.31	55.90	56.79	56.39	52.99	49.27	43.14	40.23
G 60.0	16.43	22.38	28.99	37.25	43.18	49.90	53.64	54.60	54.31	50.44	46.49	40.00	37.16
G 65.0	12.89	19.37	26.16	34.22	40.30	47.49	51.20	51.88	51.56	47.45	43.40	36.64	33.14
G 70.0	10.13	16.42	23.36	31.70	37.62	44.29	47.84	48.62	48.60	44.05	39.93	32.99	29.63
G 75.0	7.39	13.70	20.73	28.76	34.54	41.39	44.36	45.05	44.86	40.50	36.48	29.39	25.55
G 80.0	5.45	11.42	18.38	26.36	32.02	37.85	40.61	41.23	41.14	36.85	32.73	25.77	22.12
G 85.0	3.61	9.24	16.20	23.86	29.45	35.13	36.91	37.43	37.29	32.94	29.29	22.28	18.39
G 90.0	2.36	7.60	14.49	21.83	27.56	32.41	34.11	34.16	33.70	29.60	25.55	18.94	15.47
G 95.0	1.33	6.02	12.73	19.97	25.57	30.62	31.89	31.37	30.57	26.31	22.50	15.78	12.24
G100.0	0.75	4.78	11.42	18.41	24.04	28.65	29.95	29.04	27.67	23.32	19.20	12.89	9.87
G105.0	0.73	3.88	10.26	17.10	22.15	26.81	27.67	26.71	25.09	20.62	16.68	10.26	7.44
G110.0	0.76	3.32	9.29	15.69	20.46	24.54	25.51	24.40	22.52	18.16	13.91	7.88	5.68
G115.0	0.74	2.76	8.15	14.21	18.46	22.55	22.99	22.17	20.19	15.86	11.79	5.94	4.03
G120.0	0.76	2.29	7.16	12.73	16.60	20.21	20.88	19.90	17.87	13.68	9.57	4.41	2.90
G125.0	0.76	1.90	5.98	11.20	14.67	18.14	18.40	17.61	15.98	11.70	7.90	3.15	1.91
G130.0	0.80	1.61	5.02	9.68	12.77	15.84	16.29	15.37	13.79	9.96	6.19	2.07	1.29
G135.0	0.83	1.37	3.96	8.13	10.79	13.81	13.81	13.09	11.92	8.29	5.12	1.47	0.81
G140.0	0.87	1.16	3.10	6.53	8.87	11.48	11.75	10.78	9.81	6.60	3.92	1.26	0.79
G145.0	0.87	0.98	2.26	5.20	6.98	9.31	9.35	8.67	7.99	5.06	2.92	0.87	0.80
G150.0	0.87	0.90	1.80	3.74	5.23	7.17	7.29	6.44	5.92	3.64	2.00	0.83	0.76
G155.0	0.90	0.91	1.36	2.65	3.56	5.18	5.10	4.49	4.29	2.46	1.39	0.89	0.83
G160.0	0.90	0.94	1.06	1.82	2.32	3.34	3.29	2.67	2.61	1.52	1.00	0.90	0.81
G165.0	0.96	0.90	0.96	1.24	1.35	2.05	1.87	1.49	1.59	0.92	0.93	0.91	0.80
G170.0	0.90	0.87	0.87	0.90	0.88	0.96	0.94	0.83	0.87	0.82	0.85	0.85	0.80
G175.0	0.85	0.78	0.78	0.81	0.78	0.82	0.72	0.79	0.79	0.81	0.76	0.78	0.76
G180.0	0.73	0.73	0.73	0.73	0.73	0.73	0.73	0.73	0.73	0.73	0.73	0.73	0.73

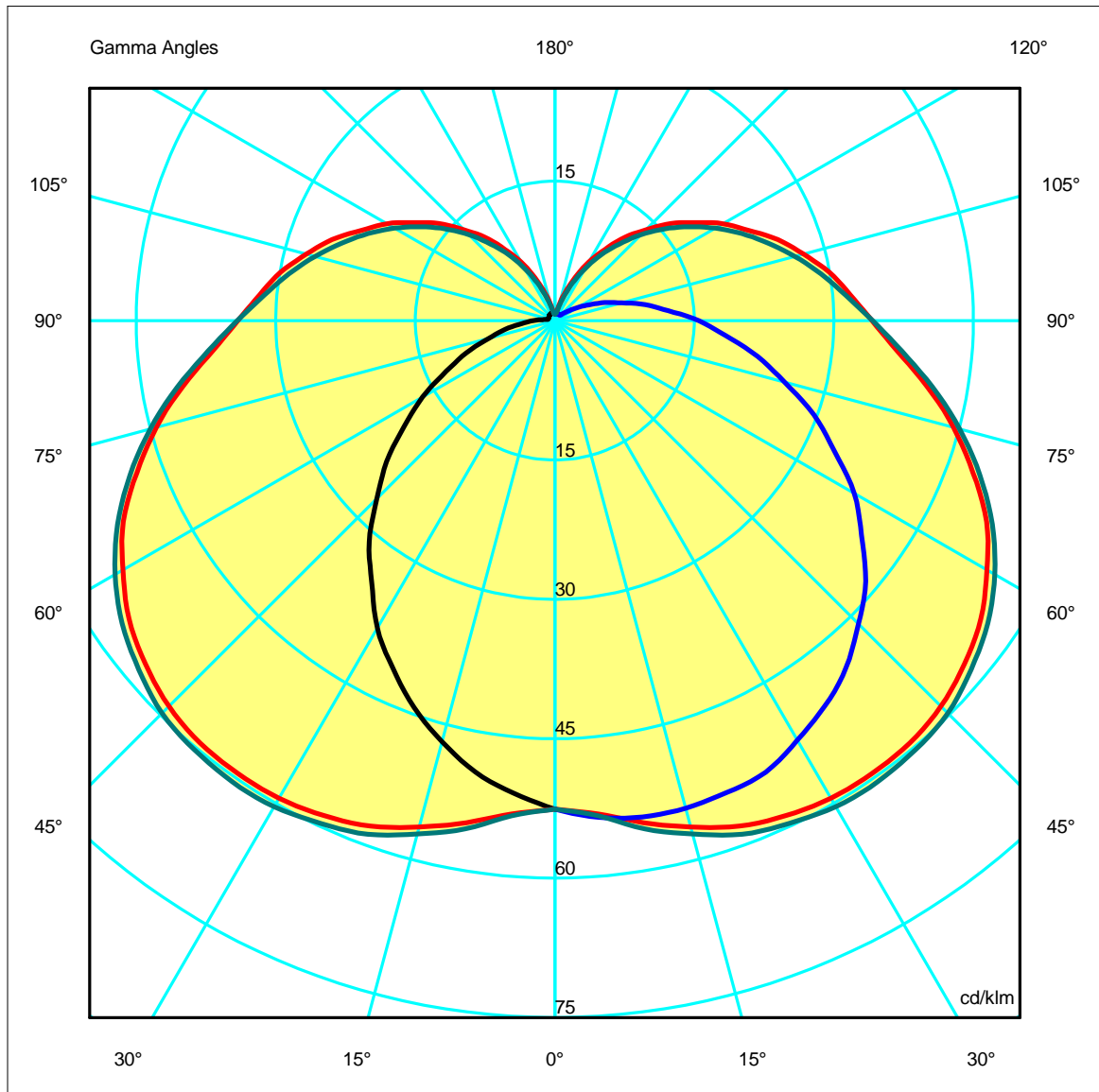
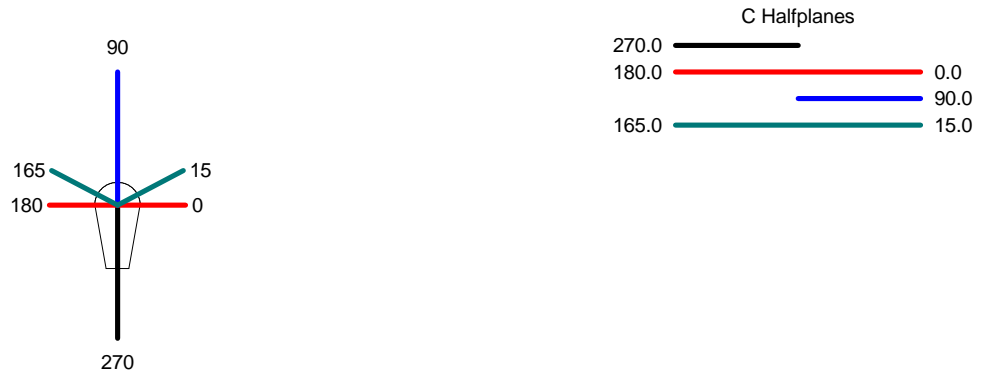
Luminaire

Code PX-0352-NEG
 Name Aplique AREA 20W CFL E27

Measur.

Code CL116A17F032G
 Name Aplique AREA 20W CFL E27

Luminaire Flux	424.92 lm	Luminaire Power	20.00 W	Efficacy	21.25 lm/W	Efficiency	33.64%
Lamps Flux	1263.00 lm	Maximum value	60.54 cd/klm	Position	C=15.00 G=35.00	CG	Sym. on planes 270-90





Luminaire

Code PX-0352-NEG
Name Aplique AREA 20W CFL E27

Measurem.

Code CL116A17F032G
Name Aplique AREA 20W CFL E27

Luminaire Flux	424.92 lm	Luminaire Power	20.00 W	Efficacy	21.25 lm/W	Efficiency	33.64%
Lamps Flux	1263.00 lm	Maximum value	60.54 cd/klm	Position	C=15.00 G=35.00	CG	Sym. on planes 270-90

Right beam angle not found, gamma = 35

Right beam angle not found, gamma = 35

Right beam angle not found, gamma = 35

Luminaire

 Code PX-0352-NEG
 Name Aplique AREA 20W CFL E27

Measurment

 Code CL116A17F032G
 Name Aplique AREA 20W CFL E27

Luminaire Flux	424.92 lm	Luminaire Power	20.00 W	Efficacy	21.25 lm/W	Efficiency	33.64%
Lamps Flux	1263.00 lm	Maximum value	60.54 cd/klm	Position	C=15.00 G=35.00	CG Sym. on planes 270-90	

UGR
S = 0.250

Reflectancies										
Ceiling/Cavity	0.7	0.7	0.5	0.5	0.3	0.7	0.7	0.5	0.5	0.3
Walls	0.5	0.3	0.5	0.3	0.3	0.5	0.3	0.5	0.3	0.3
WorkingPlane	0.2	0.2	0.2	0.2	0.2	0.2	0.2	0.2	0.2	0.2
RoomDimensions	ViewedCrosswise					ViewedEndwise				
x=2H y=2H	14.7	15.9	15.3	16.5	13.0	10.4	11.7	11.0	12.3	13.0
x=2H y=3H	17.1	18.2	17.8	18.8	14.2	11.7	12.8	12.3	13.4	14.2
x=2H y=4H	18.3	19.3	18.9	20.0	14.6	12.1	13.2	12.8	13.8	14.6
x=2H y=6H	19.5	20.4	20.1	21.1	14.9	12.5	13.5	13.2	14.1	14.9
x=2H y=8H	20.0	21.0	20.7	21.7	15.1	12.6	13.6	13.3	14.3	15.1
x=2H y=12H	20.5	21.5	21.2	22.2	15.1	12.7	13.6	13.4	14.3	15.1
x=4H y=2H	15.3	16.4	16.0	17.0	14.5	12.0	13.0	12.6	13.7	14.5
x=4H y=3H	17.9	18.8	18.6	19.6	15.9	13.5	14.4	14.2	15.1	15.9
x=4H y=4H	19.3	20.1	20.0	20.8	16.5	14.1	14.9	14.8	15.6	16.5
x=4H y=6H	20.6	21.3	21.3	22.1	16.9	14.6	15.3	15.3	16.1	16.9
x=4H y=8H	21.3	21.9	22.0	22.7	17.1	14.8	15.5	15.5	16.2	17.1
x=4H y=12H	21.9	22.5	22.7	23.3	17.2	14.9	15.6	15.7	16.3	17.2
x=8H y=4H	19.6	20.3	20.4	21.0	17.6	15.3	16.0	16.0	16.7	17.6
x=8H y=6H	21.2	21.7	21.9	22.5	18.3	16.1	16.6	16.8	17.4	18.3
x=8H y=8H	22.0	22.5	22.8	23.3	18.6	16.4	16.9	17.2	17.7	18.6
x=8H y=12H	22.8	23.2	23.6	24.0	18.9	16.6	17.1	17.5	17.9	18.9
x=12H y=4H	19.6	20.3	20.4	21.0	17.9	15.6	16.2	16.3	16.9	17.9
x=12H y=6H	21.3	21.8	22.1	22.6	18.8	16.6	17.1	17.3	17.9	18.8
x=12H y=8H	22.1	22.6	22.9	23.4	19.2	17.0	17.4	17.8	18.2	19.2

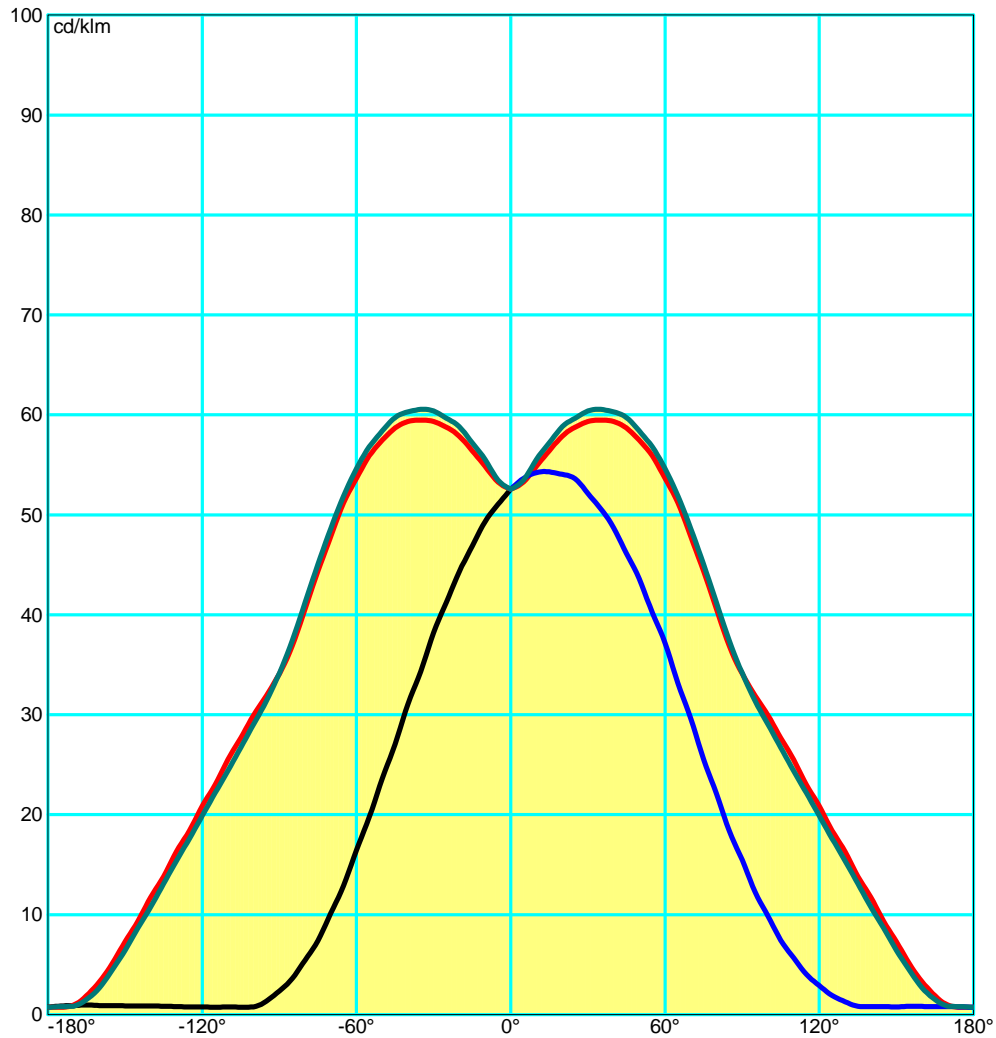
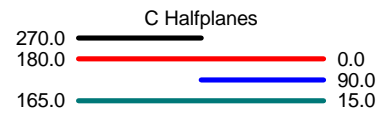
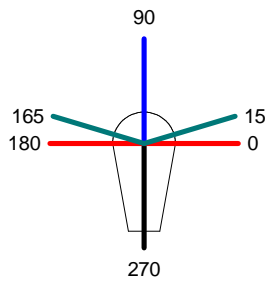
Luminaire

Code PX-0352-NEG
 Name Aplique AREA 20W CFL E27

Measur.

Code CL116A17F032G
 Name Aplique AREA 20W CFL E27

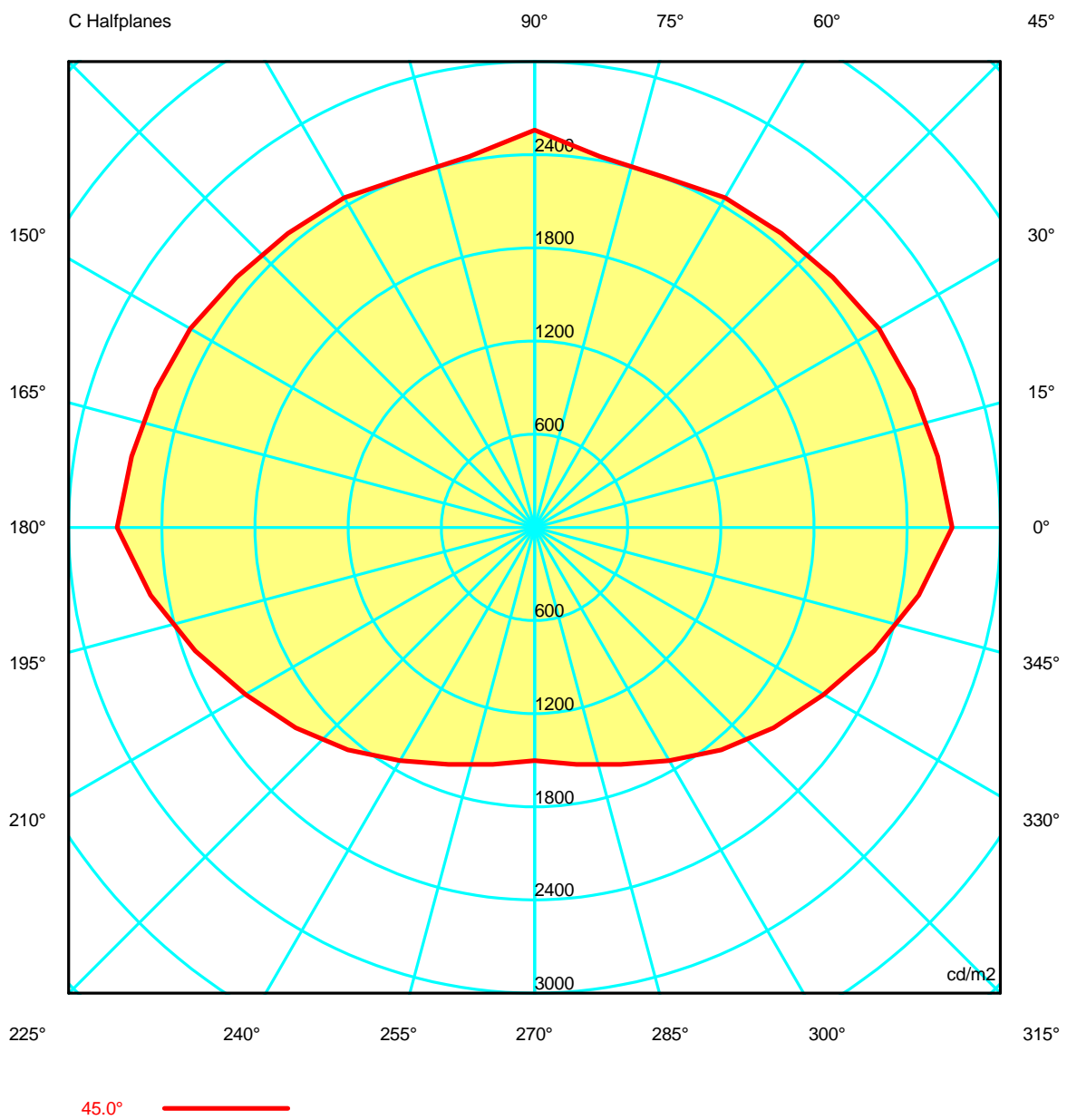
Luminaire Flux	424.92 lm	Luminaire Power	20.00 W	Efficacy	21.25 lm/W	Efficiency	33.64%
Lamps Flux	1263.00 lm	Maximum value	60.54 cd/klm	Position	C=15.00 G=35.00	CG	Sym. on planes 270-90



Luminaire
 Code PX-0352-NEG
 Name Aplique AREA 20W CFL E27
Measur.
 Code CL116A17F032G
 Name Aplique AREA 20W CFL E27

Luminaire Flux	424.92 lm	Luminaire Power	20.00 W	Efficacy	21.25 lm/W	Efficiency	33.64%
Lamps Flux	1263.00 lm	Maximum value	60.54 cd/klm	Position	C=15.00 G=35.00	CG	Sym. on planes 270-90

Luminance





Luminaire

Code PX-0352-NEG
 Name Applique AREA 20W CFL E27

Measur.

Code CL116A17F032G
 Name Applique AREA 20W CFL E27

Luminaire Flux	424.92 lm	Luminaire Power	20.00 W	Efficacy	21.25 lm/W	Efficiency	33.64%
Lamps Flux	1263.00 lm	Maximum value	60.54 cd/klm	Position	C=15.00 G=35.00	CG	Sym. on planes 270-90

Luminance cd/m2 Table 1/3

	C 0.00	C 10.00	C 20.00	C 30.00	C 40.00	C 50.00	C 60.00	C 70.00	C 80.00	C 90.00	C 100.00	C 110.00	C 120.00
G 0.0	2886.91	2886.91	2886.91	2886.91	2886.91	2886.91	2886.91	2886.91	2886.91	2886.91	2886.91	2886.91	2886.91
G 5.0	2768.72	2766.01	2754.50	2748.16	2760.33	2774.64	2784.34	2798.92	2823.47	2857.26	2823.47	2798.92	2784.34
G 10.0	2724.10	2731.42	2706.79	2678.98	2698.48	2711.81	2705.40	2722.70	2765.31	2824.36	2765.31	2722.70	2705.40
G 15.0	2702.65	2699.44	2678.72	2657.49	2662.82	2666.83	2659.53	2664.14	2706.47	2788.10	2706.47	2664.14	2659.53
G 20.0	2698.90	2691.08	2662.78	2630.76	2630.29	2631.34	2618.66	2613.81	2665.65	2756.42	2665.65	2613.81	2618.66
G 25.0	2688.30	2667.53	2642.02	2619.30	2609.04	2604.42	2593.35	2577.23	2630.84	2737.08	2630.84	2577.23	2593.35
G 30.0	2684.02	2659.57	2627.78	2595.59	2579.09	2570.57	2555.88	2535.12	2571.21	2685.47	2571.21	2535.12	2555.88
G 35.0	2681.01	2646.15	2616.51	2588.85	2555.46	2538.36	2527.28	2495.55	2525.09	2650.26	2525.09	2495.55	2527.28
G 40.0	2685.29	2639.14	2603.46	2576.07	2533.67	2506.07	2489.19	2454.53	2484.12	2614.41	2484.12	2454.53	2489.19
G 45.0	2687.77	2635.54	2595.34	2560.54	2506.76	2472.58	2451.98	2405.19	2426.20	2560.21	2426.20	2405.19	2451.98
G 50.0	2684.41	2618.38	2577.24	2544.95	2476.90	2433.99	2412.90	2353.06	2369.80	2522.82	2369.80	2353.06	2412.90
G 55.0	2684.75	2610.02	2558.88	2515.44	2439.75	2393.13	2368.71	2300.04	2305.72	2451.26	2305.72	2300.04	2368.71
G 60.0	2671.63	2589.92	2539.29	2495.62	2404.46	2346.43	2318.35	2237.98	2242.17	2410.57	2242.17	2237.98	2318.35
G 65.0	2669.67	2568.49	2508.89	2462.41	2360.60	2295.37	2265.98	2177.29	2165.76	2317.47	2165.76	2177.29	2265.98
G 70.0	2638.26	2529.86	2476.21	2434.69	2314.37	2235.57	2204.78	2104.35	2090.06	2266.57	2090.06	2104.35	2204.78
G 75.0	2617.41	2493.86	2432.41	2382.38	2260.60	2185.03	2155.15	2043.85	2011.76	2174.33	2011.76	2043.85	2155.15
G 80.0	2596.84	2459.14	2392.84	2343.81	2216.60	2133.16	2096.43	1977.52	1948.18	2140.31	1948.18	1977.52	2096.43
G 85.0	2597.79	2436.32	2367.06	2309.57	2165.06	2084.55	2065.37	1933.68	1883.33	2079.55	1883.33	1933.68	2065.37
G 90.0	2692.25	2484.82	2379.26	2306.19	2160.92	2065.93	2020.83	1884.75	1856.26	2123.20	1856.26	1884.75	2020.83



Luminaire

Code PX-0352-NEG
Name Applique AREA 20W CFL E27

Measurment

Code CL116A17F032G
Name Applique AREA 20W CFL E27

Luminaire Flux	424.92 lm	Luminaire Power	20.00 W	Efficacy	21.25 lm/W	Efficiency	33.64%
Lamps Flux	1263.00 lm	Maximum value	60.54 cd/klm	Position	C=15.00 G=35.00	CG	Sym. on planes 270-90

Luminance cd/m2 Table 2/3

	C 130.00	C 140.00	C 150.00	C 160.00	C 170.00	C 180.00	C 190.00	C 200.00	C 210.00	C 220.00	C 230.00	C 240.00	C 250.00
G 0.0	2886.91	2886.91	2886.91	2886.91	2886.91	2886.91	2886.91	2886.91	2886.91	2886.91	2886.91	2886.91	2886.91
G 5.0	2774.64	2760.33	2748.16	2754.50	2766.01	2768.72	2730.49	2707.70	2698.46	2679.94	2672.26	2680.30	2687.69
G 10.0	2711.81	2698.48	2678.98	2706.79	2731.42	2724.10	2650.72	2612.02	2592.59	2542.94	2506.62	2503.26	2510.63
G 15.0	2666.83	2662.82	2657.49	2678.72	2699.44	2702.65	2616.17	2553.48	2508.29	2451.00	2400.65	2371.12	2360.34
G 20.0	2631.34	2630.29	2630.76	2662.78	2691.08	2698.90	2597.38	2513.06	2440.60	2364.20	2299.19	2252.24	2219.22
G 25.0	2604.42	2609.04	2619.30	2642.02	2667.53	2688.30	2575.27	2471.22	2376.64	2286.47	2209.16	2145.69	2093.05
G 30.0	2570.57	2579.09	2595.59	2627.78	2659.57	2684.02	2556.50	2433.83	2318.96	2216.86	2119.07	2029.72	1968.51
G 35.0	2538.36	2555.46	2588.85	2616.51	2646.15	2681.01	2539.80	2398.27	2263.59	2147.01	2037.67	1934.72	1853.56
G 40.0	2506.07	2533.67	2576.07	2603.46	2639.14	2685.29	2521.10	2356.29	2208.53	2087.04	1956.73	1822.39	1731.89
G 45.0	2472.58	2506.76	2560.54	2595.34	2635.54	2687.77	2510.96	2325.83	2150.47	2008.20	1871.00	1733.70	1624.20
G 50.0	2433.99	2476.90	2544.95	2577.24	2618.38	2684.41	2498.05	2291.89	2095.45	1951.12	1797.97	1630.00	1510.91
G 55.0	2393.13	2439.75	2515.44	2558.88	2610.02	2684.75	2484.90	2259.66	2039.09	1876.24	1717.82	1548.08	1409.64
G 60.0	2346.43	2404.46	2495.62	2539.29	2589.92	2671.63	2455.91	2214.16	1984.29	1825.97	1650.37	1445.64	1298.51
G 65.0	2295.37	2360.60	2462.41	2508.89	2568.49	2669.67	2443.33	2180.06	1924.60	1752.28	1572.92	1365.53	1205.60
G 70.0	2235.57	2314.37	2434.69	2476.21	2529.86	2638.26	2399.95	2134.98	1884.50	1713.05	1521.02	1289.74	1108.76
G 75.0	2185.03	2260.60	2382.38	2432.41	2493.86	2617.41	2384.20	2109.78	1834.55	1654.22	1461.87	1224.69	1024.37
G 80.0	2133.16	2216.60	2343.81	2392.84	2459.14	2596.84	2346.76	2080.13	1824.29	1639.50	1431.44	1177.37	957.03
G 85.0	2084.55	2165.06	2309.57	2367.06	2436.32	2597.79	2366.29	2103.00	1824.31	1623.77	1407.88	1142.01	894.49
G 90.0	2065.93	2160.92	2306.19	2379.26	2484.82	2692.25	2425.50	2156.23	1886.09	1660.33	1421.84	1145.97	869.03

Luminaire

Code PX-0352-NEG
Name Aplique AREA 20W CFL E27

Measur.

Code CL116A17F032G
Name Aplique AREA 20W CFL E27

Luminaire Flux	424.92 lm	Luminaire Power	20.00 W	Efficacy	21.25 lm/W	Efficiency	33.64%
Lamps Flux	1263.00 lm	Maximum value	60.54 cd/klm	Position	C=15.00 G=35.00	CG	Sym. on planes 270-90

Luminance cd/m2 Table 3/3

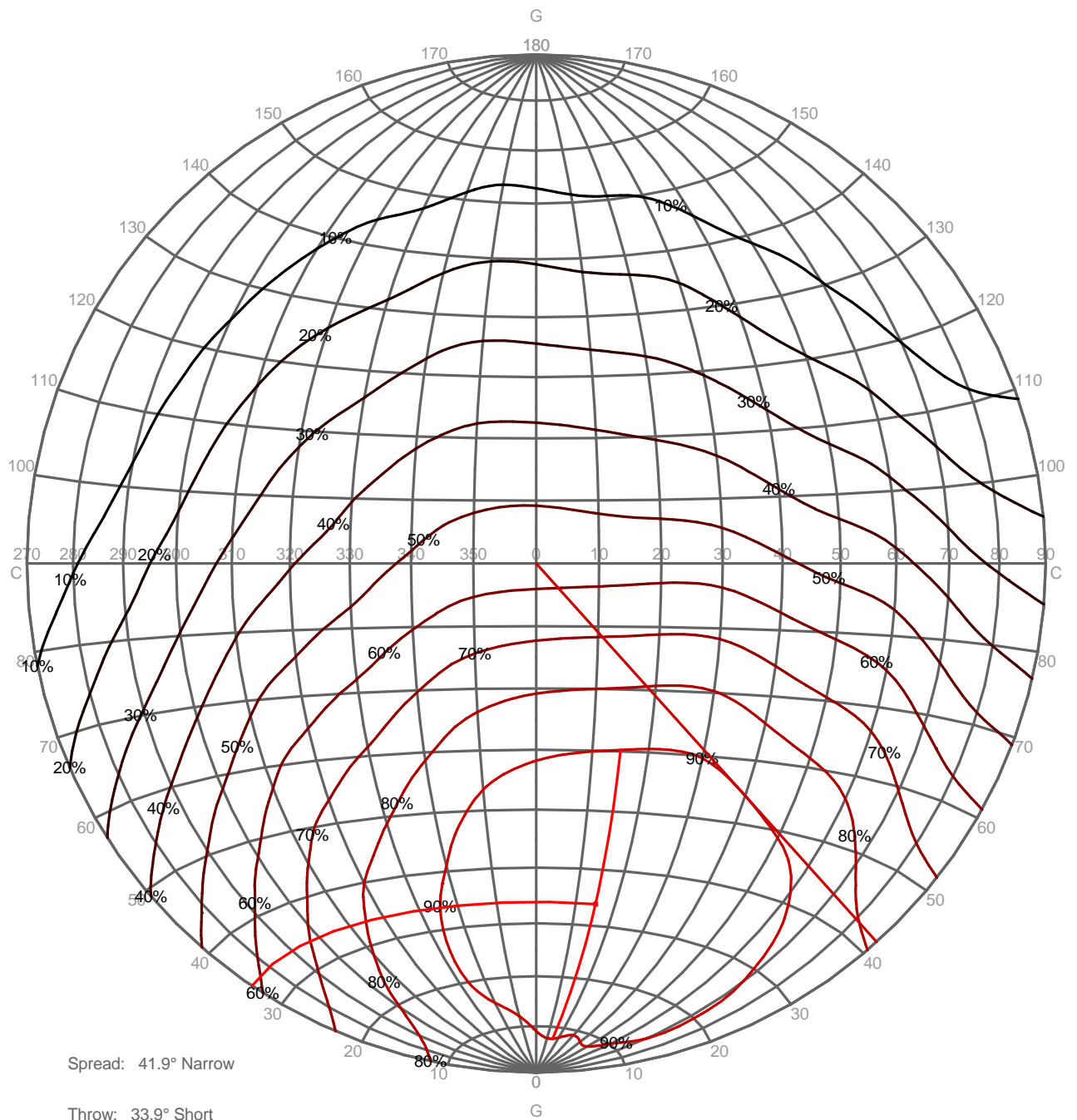
	C 260.00	C 270.00	C 280.00	C 290.00	C 300.00	C 310.00	C 320.00	C 330.00	C 340.00	C 350.00
G 0.0	2886.91	2886.91	2886.91	2886.91	2886.91	2886.91	2886.91	2886.91	2886.91	2886.91
G 5.0	2699.06	2717.66	2699.06	2687.69	2680.30	2672.26	2679.94	2698.46	2707.70	2730.49
G 10.0	2532.06	2568.82	2532.06	2510.63	2503.26	2506.62	2542.94	2592.59	2612.02	2650.72
G 15.0	2373.22	2407.69	2373.22	2360.34	2371.12	2400.65	2451.00	2508.29	2553.48	2616.17
G 20.0	2220.77	2259.74	2220.77	2219.22	2252.24	2299.19	2364.20	2440.60	2513.06	2597.38
G 25.0	2078.19	2106.32	2078.19	2093.05	2145.69	2209.16	2286.47	2376.64	2471.22	2575.27
G 30.0	1949.03	1967.37	1949.03	1968.51	2029.72	2119.07	2216.86	2318.96	2433.83	2556.50
G 35.0	1808.74	1798.18	1808.74	1853.56	1934.72	2037.67	2147.01	2263.59	2398.27	2539.80
G 40.0	1685.17	1667.61	1685.17	1731.89	1822.39	1956.73	2087.04	2208.53	2356.29	2521.10
G 45.0	1549.34	1501.01	1549.34	1624.20	1733.70	1871.00	2008.20	2150.47	2325.83	2510.96
G 50.0	1430.76	1367.00	1430.76	1510.91	1630.00	1797.97	1951.12	2095.45	2291.89	2498.05
G 55.0	1300.30	1203.61	1300.30	1409.64	1548.08	1717.82	1876.24	2039.09	2259.66	2484.90
G 60.0	1184.15	1066.00	1184.15	1298.51	1445.64	1650.37	1825.97	1984.29	2214.16	2455.91
G 65.0	1064.01	901.57	1064.01	1205.60	1365.53	1572.92	1752.28	1924.60	2180.06	2443.33
G 70.0	951.94	774.88	951.94	1108.76	1289.74	1521.02	1713.05	1884.50	2134.98	2399.95
G 75.0	840.83	628.93	840.83	1024.37	1224.69	1461.87	1654.22	1834.55	2109.78	2384.20
G 80.0	756.26	526.98	756.26	957.03	1177.37	1431.44	1639.50	1824.29	2080.13	2346.76
G 85.0	665.51	407.98	665.51	894.49	1142.01	1407.88	1623.77	1824.31	2103.00	2366.29
G 90.0	609.14	323.86	609.14	869.03	1145.97	1421.84	1660.33	1886.09	2156.23	2425.50

Luminaire
 Code PX-0352-NEG
 Name Aplique AREA 20W CFL E27
Measur.
 Code CL116A17F032G
 Name Aplique AREA 20W CFL E27

Luminaire Flux	424.92 lm	Luminaire Power	20.00 W	Efficacy	21.25 lm/W	Efficiency	33.64%
Lamps Flux	1263.00 lm	Maximum value	60.54 cd/klm	Position	C=15.00 G=35.00	CG	Sym. on planes 270-90

PERCENTAGE ISOCANDLES

Projection: Equal Area SLI 6.3 Tight Tilting Angle:0°

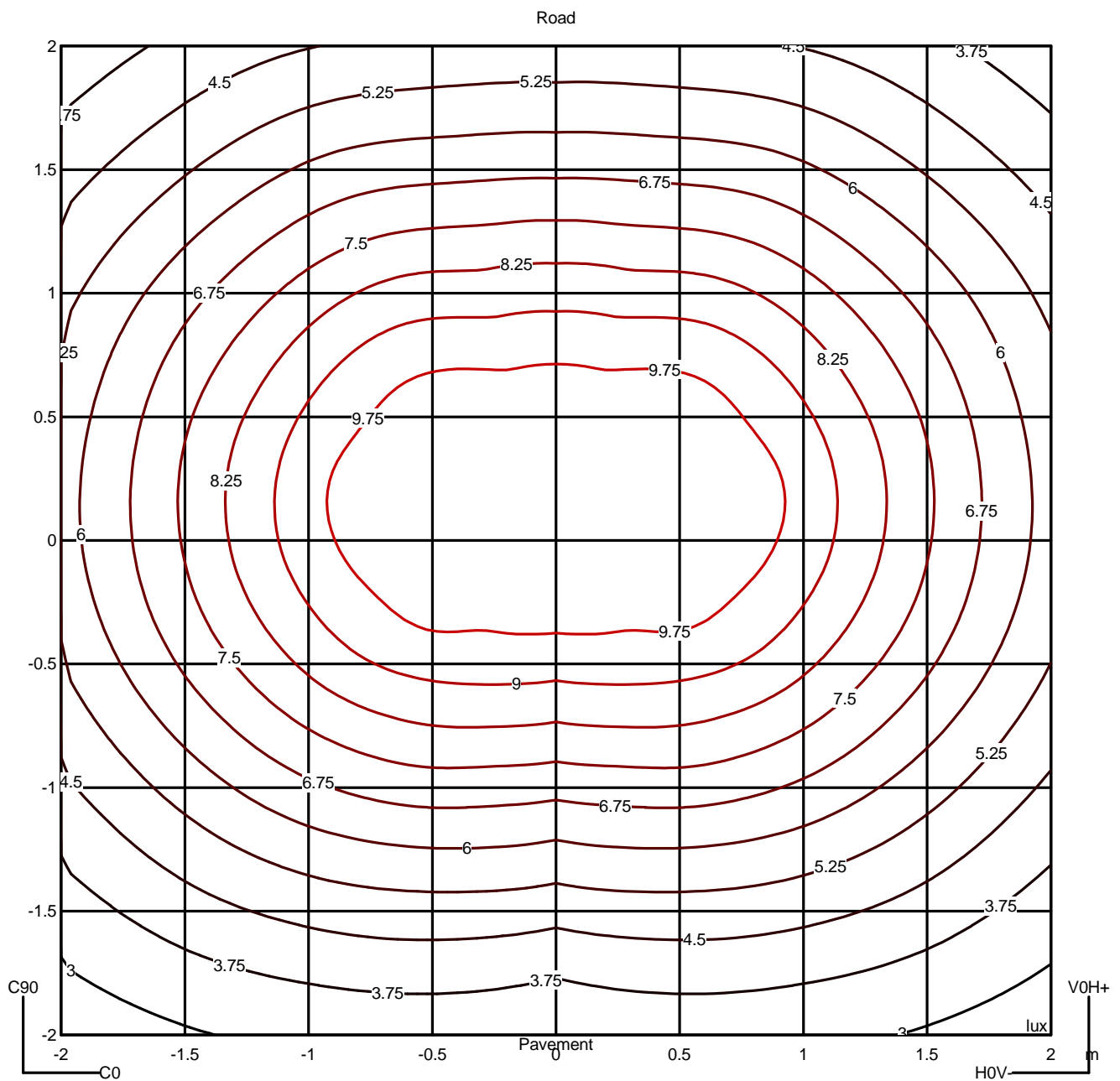


Luminaire
 Code PX-0352-NEG
 Name Aplique AREA 20W CFL E27
Measur.
 Code CL116A17F032G
 Name Aplique AREA 20W CFL E27

Luminaire Flux	424.92 lm	Luminaire Power	20.00 W	Efficacy	21.25 lm/W	Efficiency	33.64%
Lamps Flux	1263.00 lm	Maximum value	60.54 cd/klm	Position	C=15.00 G=35.00	CG Sym. on planes 270-90	

Isolux (Floor)

Luminaire position X=0.00m Y=0.00m Z=2.50m



Luminaire

Code PX-0352-NEG
 Name Applique AREA 20W CFL E27

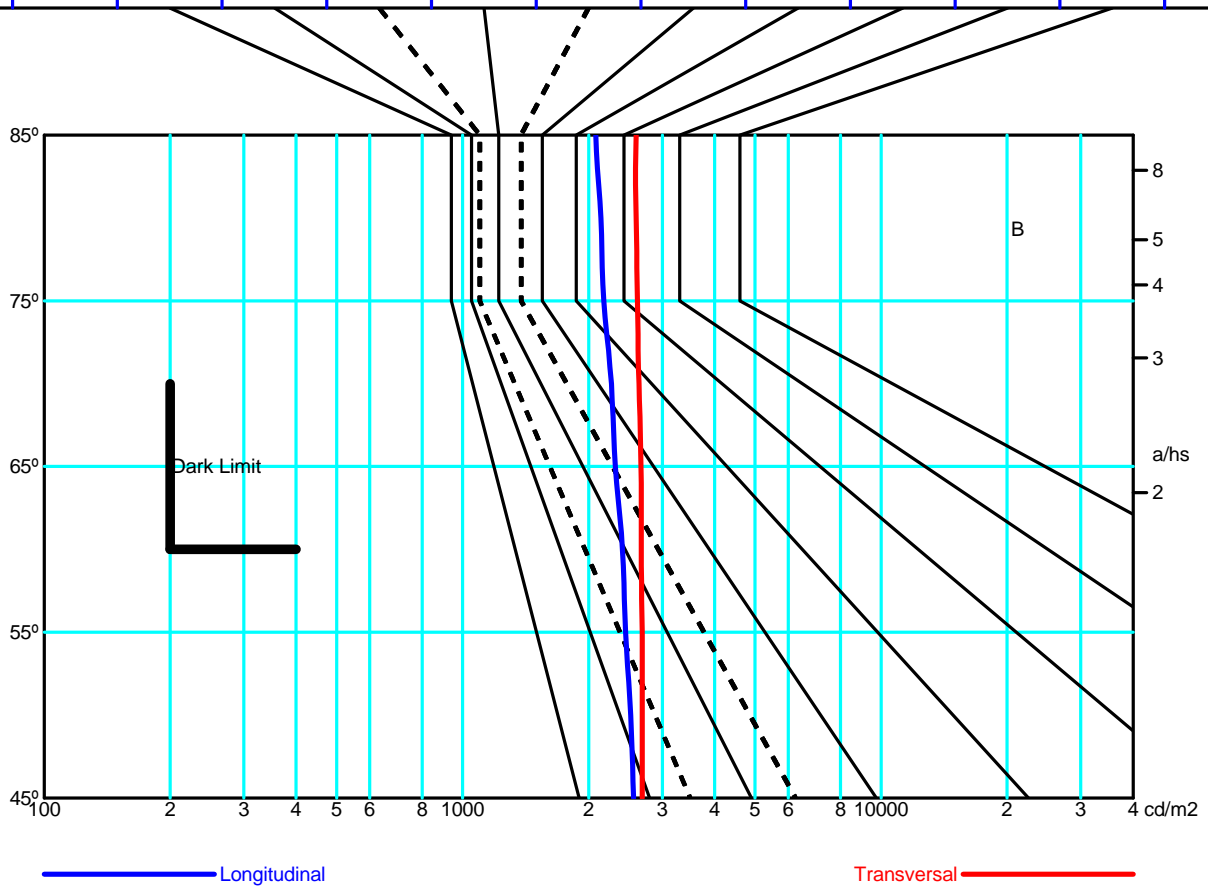
Measur.

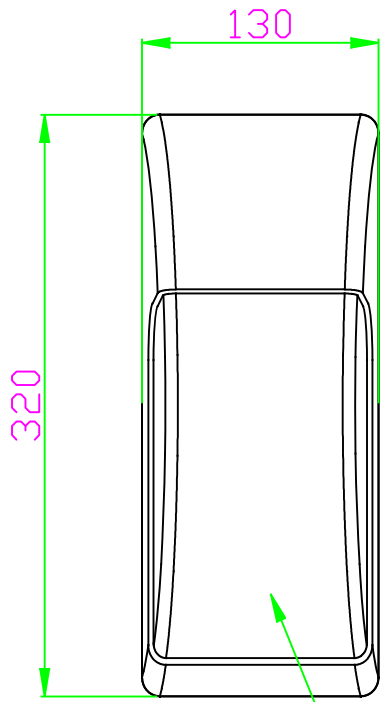
Code CL116A17F032G
 Name Applique AREA 20W CFL E27

Luminaire Flux	424.92 lm	Luminaire Power	20.00 W	Efficacy	21.25 lm/W	Efficiency	33.64%
Lamps Flux	1263.00 lm	Maximum value	60.54 cd/klm	Position	C=15.00 G=35.00	CG	Sym. on planes 270-90

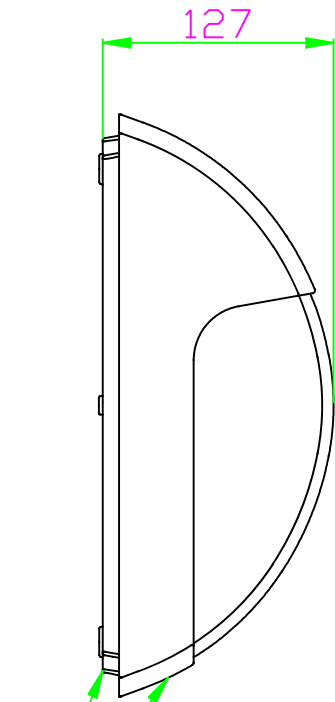
		Average Luminance [cd/m ²]									
		45°	50°	55°	60°	65°	70°	75°	80°	85°	
0.0°		2688	2684	2685	2672	2670	2638	2617	2597	2598	---
90.0°		2560	2523	2451	2411	2317	2267	2174	2140	2080	---

Flush mounted or transversal view												
		Illumination(Ix)										
A	A	2000	1000	750	500		<300				1.15	
B	1		2000	1500	1000	750	500	<300			1.5	
C					2000		1000	500	<300		1.85	
D	2						2000	1000	500	<300	2.2	
E	3							2000	1000	500	<300	2.55

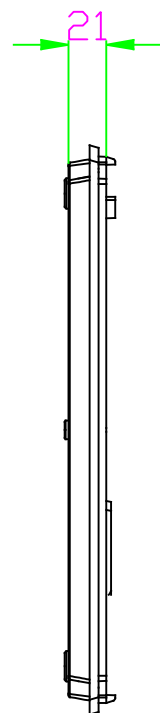
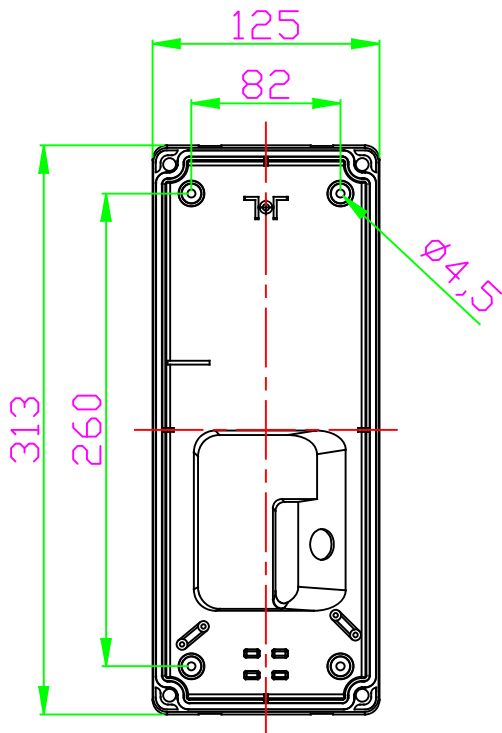
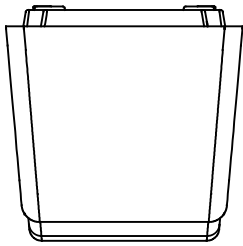


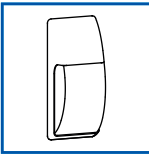


PC Opal diffuser with UV filter



ABS+PC with UV filter / Grey

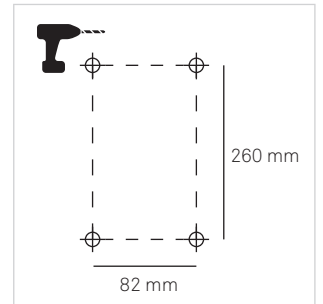
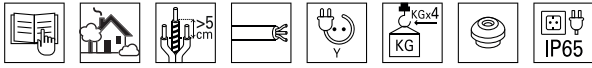




Area

PX-0352

FOR
LIGHT



1

2

3

4

L	—	—	L
N	—	—	N

5

E-27

6

7

ON

