



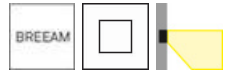
Grove Opaque Rectangular Short

PX-0126-NEG

Wall fixture IP65 Grove Opaque Rectangular Short LED 1.4W 4000K Black 95lm

TECHNICAL FEATURES

IP65 IK10



Power (W) : 1.4W

Total power consumption of light (W) : 1.6W

Real lumens : 95

Real lm/W : 59

Colour temperature : LED neutral-white 4000K

Lens / reflector angle : FLOOD 94°

Structure material : Polycarbonate + ABS

Structure finish : Black

Diffuser material : Polycarbonate

Diffuser finish : Transparent

Useful life : 36.000h L70B30

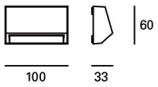
Equipment included : Yes, electronic

Voltage / frequency : 100-240V/50-60Hz

Warranty : 5 Years

Max. temperature : 25°C

Energy efficiency : LED A++



LUMINOTECHNIC FEATURES

Light source: LED

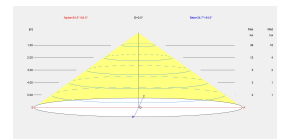
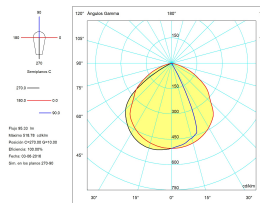
Luminance C0°65°: 29621

Luminance 90°65°: 64

CRI: 80

MacAdam steps: 3

Photobiological risk: RG0



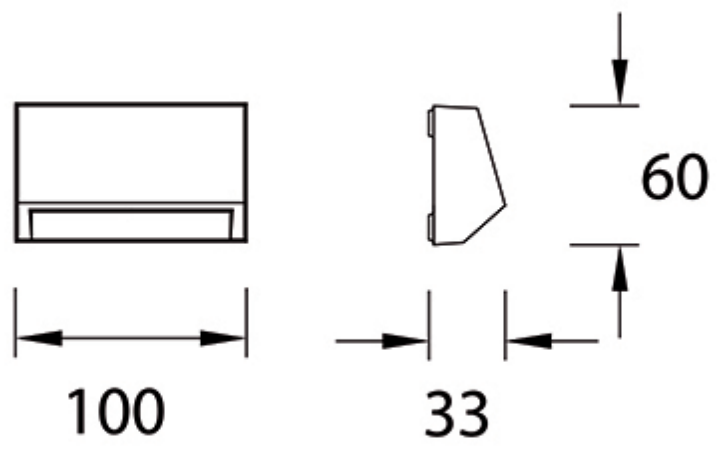
LOGISTICS

Net weight (kg): 0.14

Packaged weight (kg): 0.19

Packaging: 110mm x 70mm x 70mm





Luminaire

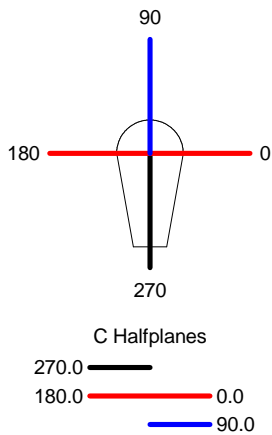
Code PX-0126-NEG
 Name Aplique GROVE 12 leds 1.4W

Measur.

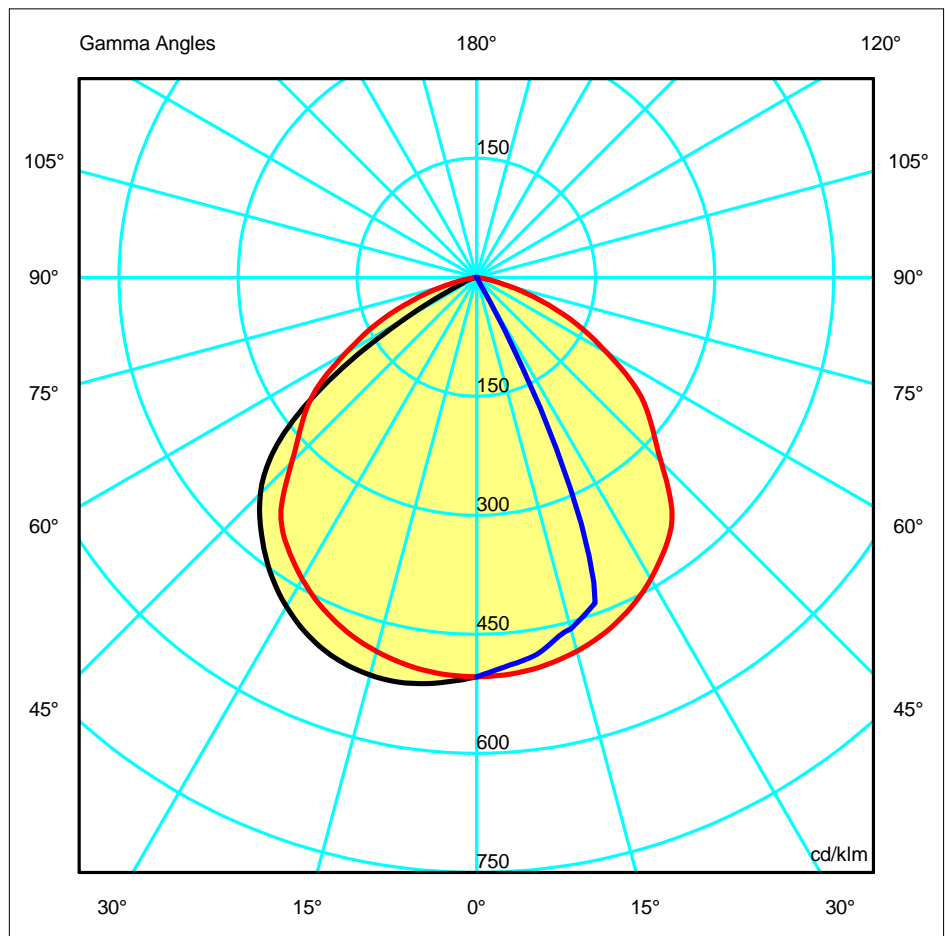
Code PX-0126-NEG
 Name Aplique GROVE 12 leds 1.4W

Luminaire Flux	95.33 lm	Luminaire Power	2.00 W	Efficacy	47.66 lm/W	Efficiency	100.00%
Lamps Flux	95.33 lm	Maximum value	518.78 cd/klm	Position	C=270.00 G=10.00	CG Sym. on planes	270-90
Rectangular Luminaire		Length	33 mm	Width	100 mm	Height	63 mm
Rectangular Luminous Area		Length	12 mm	Width	88 mm	Height	0 mm
Horizontal Luminous Area	0.001056 m2	Emitting area on Plane 180°		Emitting area on Plane 270°		Emitting area on Plane 90°	
Emitting area on Plane 0°	0.000000 m2	Emitting area on Plane 180°		Emitting area on Plane 270°		Emitting area on Plane 90°	
Emitting area on Plane 90°	0.000000 m2	Glare area at 76°					
Coordinate system	CG Roads	Symmetry Type		Maximum Gamma Angle		Measurement Flux	
Date	03-06-2016	Sym. on planes	270-90				
Measurement Distance	0.00	Measurement Flux	95.33 lm				
Operator	Asselum T3	Source Voltage [V]		Source current [A]		Photocell	
Temperature	25.00 °C						
Humidity	60.00 %						
Notes							

Line	Code	Luminaire Lamps	Flux [lm]	Pow. [W]	Q.ty
	PX-0126-NEG	Name PX-0126-NEG	95.33	2.00	1
C.I.E.	61 91 99 100 100	D DIN 5040	A50		



ULOR 0.00 %
 DLOR 100.00 %
 RN 0.00 %





Luminaire

Code PX-0126-NEG
 Name Aplique GROVE 12 leds 1.4W

Measurerm.

Code PX-0126-NEG
 Name Aplique GROVE 12 leds 1.4W

Luminaire Flux	95.33 lm	Luminaire Power	2.00 W	Efficacy	47.66 lm/W	Efficiency	100.00%
Lamps Flux	95.33 lm	Maximum value	518.78 cd/klm	Position	C=270.00 G=10.00	CG	Sym. on planes 270-90

Luminous Intensity Table cd/klm Table 1/1

	C 270.00	C 285.00	C 300.00	C 315.00	C 330.00	C 345.00	C 0.00	C 15.00	C 30.00	C 45.00	C 60.00	C 75.00	C 90.00
G 0.0	503.33	503.33	503.33	503.33	503.33	503.33	503.33	503.33	503.33	503.33	503.33	503.33	503.33
G 5.0	512.63	512.20	511.05	509.74	507.28	504.76	501.75	498.71	495.96	493.75	491.97	490.67	490.14
G 10.0	518.78	518.23	516.13	512.58	507.50	502.34	496.38	490.44	485.19	481.91	479.03	478.17	477.76
G 15.0	518.67	518.15	515.63	511.34	504.72	496.73	487.75	478.98	472.71	467.70	463.37	460.08	458.70
G 20.0	512.33	512.62	509.71	505.52	497.73	487.71	475.68	463.83	456.14	448.61	441.08	437.45	436.40
G 25.0	498.97	498.86	497.47	495.30	487.44	475.05	459.37	445.50	436.03	425.26	416.64	329.77	238.35
G 30.0	478.94	479.85	478.73	478.65	471.25	458.11	438.96	422.91	410.30	398.45	105.52	6.80	5.35
G 35.0	453.12	453.77	453.62	454.93	449.95	437.21	414.94	394.78	370.28	122.15	4.69	2.68	2.28
G 40.0	421.45	422.76	422.45	425.84	422.64	412.14	382.90	339.38	313.73	5.02	2.59	1.76	1.40
G 45.0	384.60	384.96	386.44	389.30	389.66	379.37	328.63	300.45	94.45	2.55	1.46	0.41	0.36
G 50.0	327.97	335.80	344.48	348.42	350.02	334.47	287.34	250.55	4.30	1.68	0.49	0.26	0.23
G 55.0	227.40	242.55	275.35	298.41	302.70	279.27	246.79	197.66	2.26	0.67	0.33	0.26	0.23
G 60.0	104.22	118.07	168.89	230.82	249.80	228.39	189.68	122.22	1.23	0.48	0.31	0.27	0.26
G 65.0	31.35	38.47	63.53	127.80	181.84	177.03	138.67	12.55	0.54	0.41	0.33	0.30	0.30
G 70.0	14.95	17.96	19.15	39.51	100.99	120.60	87.12	1.90	0.50	0.40	0.38	0.37	0.37
G 75.0	4.98	7.09	10.20	13.19	29.40	63.88	42.26	0.54	0.51	0.46	0.47	0.47	0.48
G 80.0	3.29	3.30	5.72	5.76	6.34	20.40	11.51	0.56	0.56	0.56	0.57	0.59	0.61
G 85.0	2.71	2.62	3.04	2.84	2.70	2.91	1.44	0.65	0.66	0.67	0.68	0.72	0.74
G 90.0	2.26	2.17	2.03	1.78	1.42	1.07	0.74	0.74	0.75	0.77	0.79	0.83	0.85

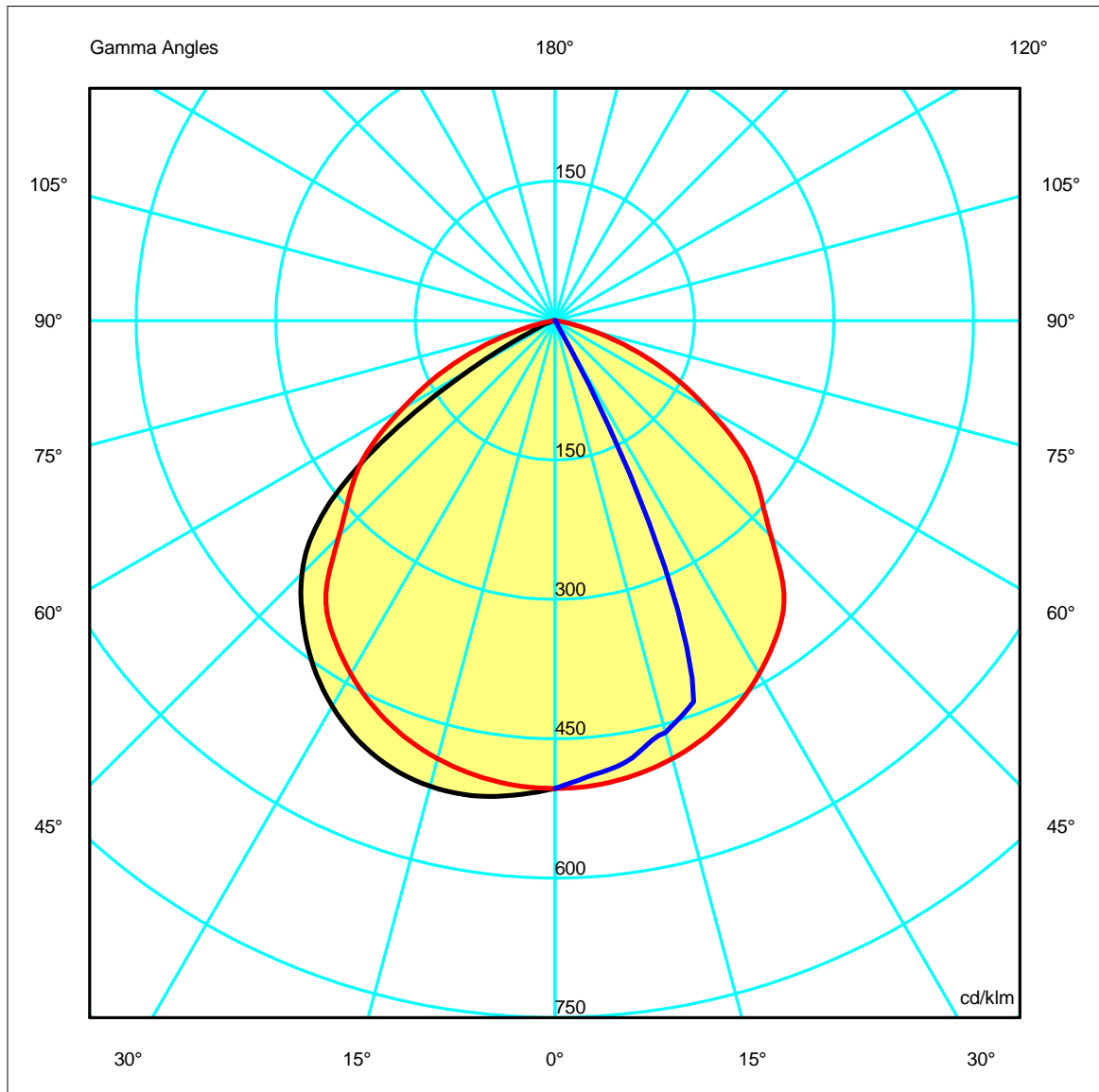
Luminaire

Code PX-0126-NEG
 Name Aplique GROVE 12 leds 1.4W

Measur.

Code PX-0126-NEG
 Name Aplique GROVE 12 leds 1.4W

Luminaire Flux	95.33 lm	Luminaire Power	2.00 W	Efficacy	47.66 lm/W	Efficiency	100.00%
Lamps Flux	95.33 lm	Maximum value	518.78 cd/klm	Position	C=270.00 G=10.00	CG	Sym. on planes 270-90



Luminaire

 Code PX-0126-NEG
 Name Aplique GROVE 12 leds 1.4W

Measur.

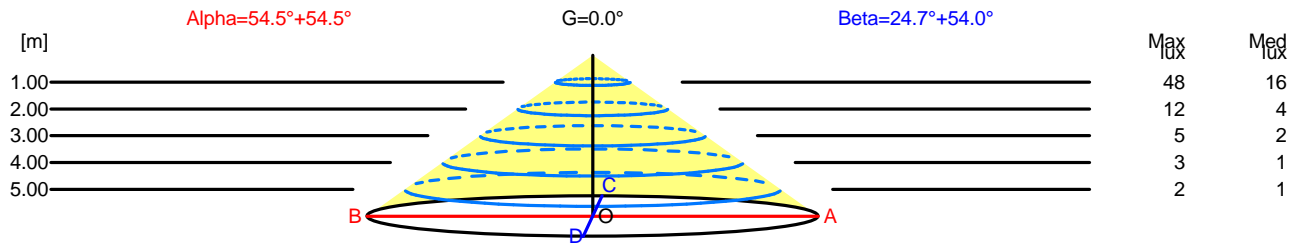
 Code PX-0126-NEG
 Name Aplique GROVE 12 leds 1.4W

Luminaire Flux	95.33 lm	Luminaire Power	2.00 W	Efficacy	47.66 lm/W	Efficiency	100.00%
Lamps Flux	95.33 lm	Maximum value	518.78 cd/klm	Position	C=270.00 G=10.00	CG	Sym. on planes 270-90

Width at 50.00 % of Max Intensity

H[m]	1.00	2.00	3.00	4.00	5.00	H[m]	1.00	2.00	3.00	4.00	5.00
OA	1.40	2.80	4.20	5.61	7.01	OC	0.46	0.92	1.38	1.84	2.30
OB	1.40	2.80	4.20	5.61	7.01	OD	1.37	2.75	4.12	5.50	6.87

	Luminous Intensities [cd/klm]									
	0	5	15	25	35	45	55	65	75	85
OA	47.98	47.83	46.50	43.79	39.56	31.33	23.53	13.22	4.03	0.14
OB	47.98	47.83	46.50	43.79	39.56	31.33	23.53	13.22	4.03	0.14
OC	47.98	46.73	43.73	22.72	0.22	0.03	0.02	0.03	0.05	0.07
OD	47.98	48.87	49.44	47.57	43.20	36.66	21.68	2.99	0.47	0.26



H[m]	D[m]	Max lux	Med lux	Alpha=54.5°+54.5°	G=0.0	
1.00	2.80	48	16			
2.00	5.61	12	4			
3.00	8.41	5	2			
4.00	11.21	3	1			
5.00	14.01	2	1			

H[m]	D[m]	Max lux	Med lux	Beta=54.0°+24.7°	G=0.0	
1.00	1.84	48	16			
2.00	3.67	12	4			
3.00	5.51	5	2			
4.00	7.34	3	1			
5.00	9.18	2	1			



Luminaire

Code PX-0126-NEG
Name Applique GROVE 12 leds 1.4W

Measurement

Code PX-0126-NEG
Name Applique GROVE 12 leds 1.4W

Luminaire Flux	95.33 lm	Luminaire Power	2.00 W	Efficacy	47.66 lm/W	Efficiency	100.00%
Lamps Flux	95.33 lm	Maximum value	518.78 cd/klm	Position	C=270.00 G=10.00	CG	Sym. on planes 270-90

UGR
S = 0.250

Reflectancies										
Ceiling/Cavity	0.7	0.7	0.5	0.5	0.3	0.7	0.7	0.5	0.5	0.3
Walls	0.5	0.3	0.5	0.3	0.3	0.5	0.3	0.5	0.3	0.3
WorkingPlane	0.2	0.2	0.2	0.2	0.2	0.2	0.2	0.2	0.2	0.2
RoomDimensions	ViewedCrosswise					ViewedEndwise				
x=2H y=2H	25.7	26.8	26.0	27.0	27.3	25.7	26.8	26.0	27.0	27.3
x=2H y=3H	26.7	27.7	27.0	28.0	27.1	25.6	26.6	25.9	26.9	27.1
x=2H y=4H	26.9	27.9	27.3	28.2	27.0	25.5	26.5	25.9	26.7	27.0
x=2H y=6H	27.0	27.9	27.3	28.1	26.9	25.5	26.3	25.8	26.6	26.9
x=2H y=8H	26.9	27.8	27.3	28.1	26.9	25.4	26.3	25.8	26.6	26.9
x=2H y=12H	26.9	27.7	27.3	28.0	26.8	25.4	26.2	25.8	26.5	26.8
x=4H y=2H	26.0	26.9	26.3	27.2	27.8	26.4	27.3	26.7	27.6	27.8
x=4H y=3H	27.1	27.9	27.5	28.2	27.7	26.3	27.1	26.7	27.4	27.7
x=4H y=4H	27.4	28.1	27.8	28.4	27.6	26.3	26.9	26.6	27.3	27.6
x=4H y=6H	27.5	28.1	27.9	28.4	27.5	26.2	26.8	26.6	27.2	27.5
x=4H y=8H	27.4	28.0	27.9	28.4	27.5	26.2	26.7	26.6	27.1	27.5
x=4H y=12H	27.4	27.9	27.9	28.3	27.4	26.1	26.6	26.6	27.0	27.4
x=8H y=4H	27.3	27.8	27.7	28.2	27.6	26.3	26.8	26.7	27.2	27.6
x=8H y=6H	27.4	27.8	27.8	28.2	27.5	26.2	26.7	26.7	27.1	27.5
x=8H y=8H	27.4	27.7	27.8	28.2	27.5	26.2	26.6	26.7	27.0	27.5
x=8H y=12H	27.3	27.7	27.8	28.1	27.5	26.2	26.5	26.7	27.0	27.5
x=12H y=4H	27.3	27.7	27.7	28.2	27.6	26.3	26.7	26.7	27.1	27.6
x=12H y=6H	27.3	27.7	27.8	28.2	27.5	26.2	26.6	26.7	27.0	27.5
x=12H y=8H	27.3	27.7	27.8	28.1	27.5	26.2	26.5	26.7	27.0	27.5

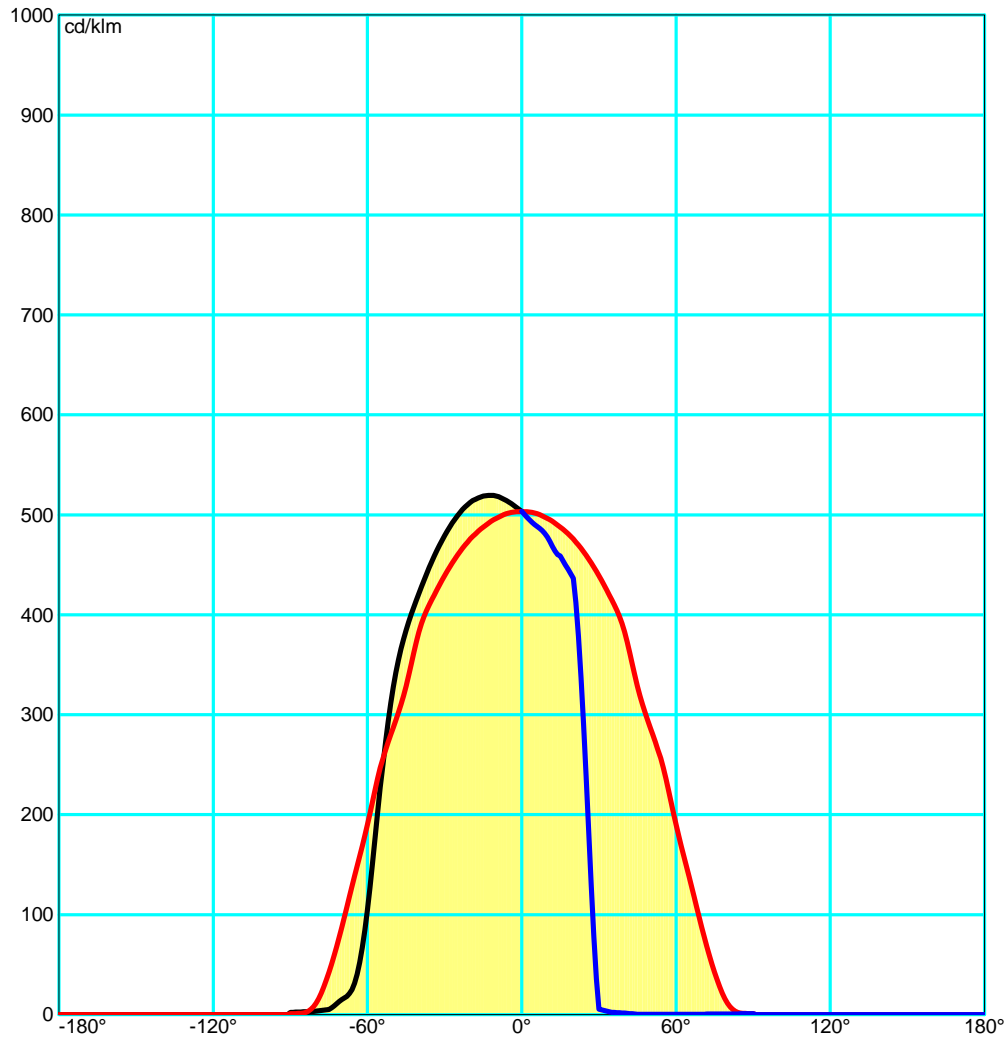
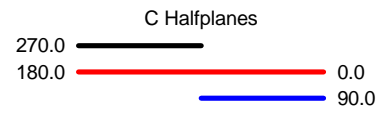
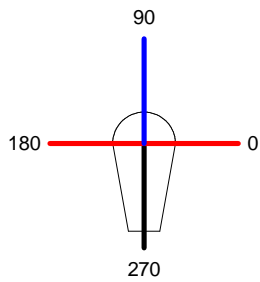
Luminaire

Code PX-0126-NEG
 Name Aplique GROVE 12 leds 1.4W

Measur.

Code PX-0126-NEG
 Name Aplique GROVE 12 leds 1.4W

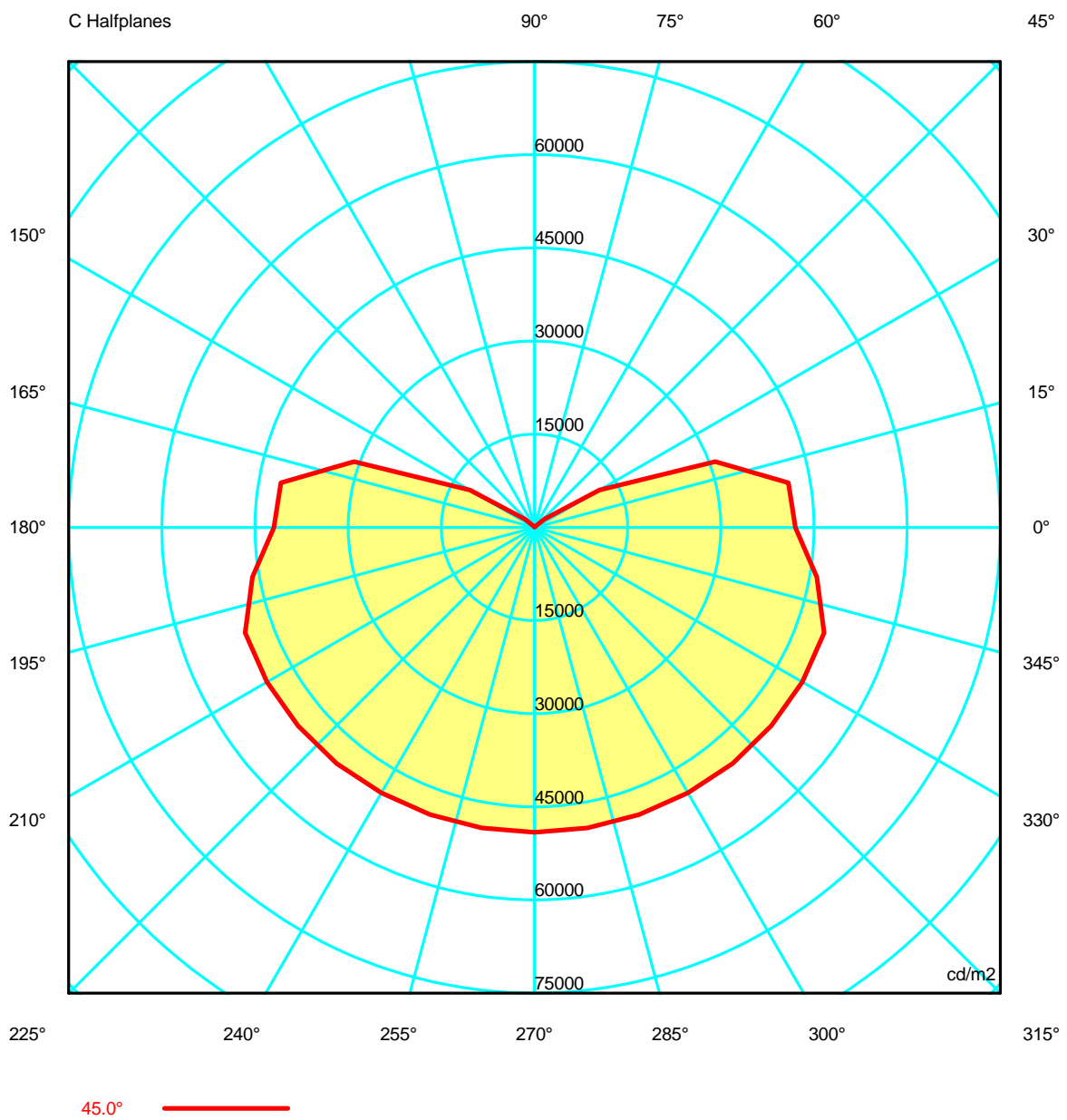
Luminaire Flux	95.33 lm	Luminaire Power	2.00 W	Efficacy	47.66 lm/W	Efficiency	100.00%
Lamps Flux	95.33 lm	Maximum value	518.78 cd/klm	Position	C=270.00 G=10.00	CG	Sym. on planes 270-90



Luminaire
 Code PX-0126-NEG
 Name Aplique GROVE 12 leds 1.4W
Measur.
 Code PX-0126-NEG
 Name Aplique GROVE 12 leds 1.4W

Luminaire Flux	95.33 lm	Luminaire Power	2.00 W	Efficacy	47.66 lm/W	Efficiency	100.00%
Lamps Flux	95.33 lm	Maximum value	518.78 cd/klm	Position	C=270.00 G=10.00	CG	Sym. on planes 270-90

Luminance





Luminaire

Code PX-0126-NEG
 Name Aplique GROVE 12 leds 1.4W

Measurerm.

Code PX-0126-NEG
 Name Aplique GROVE 12 leds 1.4W

Luminaire Flux	95.33 lm	Luminaire Power	2.00 W	Efficacy	47.66 lm/W	Efficiency	100.00%
Lamps Flux	95.33 lm	Maximum value	518.78 cd/klm	Position	C=270.00 G=10.00	CG	Sym. on planes 270-90

Luminance cd/m2 Table 1/3

	C 0.00	C 10.00	C 20.00	C 30.00	C 40.00	C 50.00	C 60.00	C 70.00	C 80.00	C 90.00	C 100.00	C 110.00	C 120.00
G 0.0	45438.06	45438.06	45438.06	45438.06	45438.06	45438.06	45438.06	45438.06	45438.06	45438.06	45438.06	45438.06	45438.06
G 5.0	45468.62	45283.19	45105.71	44943.62	44805.30	44686.02	44581.75	44495.63	44442.27	44416.65	44442.27	44495.63	44581.75
G 10.0	45501.42	45136.42	44781.84	44475.83	44266.91	44078.14	43911.28	43844.41	43820.63	43794.76	43820.63	43844.41	43911.28
G 15.0	45584.32	45018.90	44545.08	44178.72	43859.57	43569.45	43306.58	43082.58	42940.19	42869.26	42940.19	43082.58	43306.58
G 20.0	45697.97	44902.90	44278.70	43820.32	43350.23	42836.50	42373.92	42100.74	41977.08	41924.62	41977.08	42100.74	42373.92
G 25.0	45756.16	44767.67	44070.81	43431.48	42539.62	42072.96	41500.69	36227.68	29647.97	23741.27	29647.97	36227.68	41500.69
G 30.0	45757.54	44792.10	43646.00	42770.13	41946.02	32817.38	10999.84	1705.15	658.53	557.63	658.53	1705.15	10999.84
G 35.0	45728.93	44247.60	42607.02	40807.19	23044.16	6666.59	517.18	369.49	280.82	251.17	280.82	369.49	517.18
G 40.0	45123.23	41704.20	38987.14	36972.07	11626.45	496.50	305.57	240.09	193.41	165.54	193.41	240.09	305.57
G 45.0	41955.61	41484.06	30939.65	12058.11	2070.87	279.32	186.07	97.26	50.66	46.28	50.66	97.26	186.07
G 50.0	40354.37	36910.17	24242.79	603.48	358.04	179.69	68.43	47.14	35.22	32.66	35.22	47.14	68.43
G 55.0	38841.84	36448.81	21003.53	355.88	189.07	87.57	51.40	44.52	39.70	36.92	39.70	44.52	51.40
G 60.0	34247.25	27696.13	14257.82	222.66	132.42	76.78	55.74	51.50	48.42	46.52	48.42	51.50	55.74
G 65.0	29620.74	10673.99	1825.72	116.29	96.64	81.16	69.84	66.10	64.17	64.06	64.17	66.10	69.84
G 70.0	22995.86	6768.23	378.80	132.17	114.93	104.22	100.05	97.92	97.11	97.61	97.11	97.92	100.05
G 75.0	14740.79	3898.36	185.74	177.65	166.12	161.23	162.97	163.25	164.88	167.87	164.88	163.25	162.97
G 80.0	5984.37	1561.65	292.26	293.63	291.98	293.59	298.46	305.48	312.54	319.64	312.54	305.48	298.46
G 85.0	1495.41	810.70	676.29	680.53	687.23	695.91	706.57	730.74	751.76	766.71	751.76	730.74	706.57
G 90.0	0.00	0.00	0.00	0.00	0.00	0.00	0.00	0.00	0.00	0.00	0.00	0.00	0.00



Luminaire

Code PX-0126-NEG
Name Aplique GROVE 12 leds 1.4W

Measurment

Code PX-0126-NEG
Name Aplique GROVE 12 leds 1.4W

Luminaire Flux	95.33 lm	Luminaire Power	2.00 W	Efficacy	47.66 lm/W	Efficiency	100.00%
Lamps Flux	95.33 lm	Maximum value	518.78 cd/klm	Position	C=270.00 G=10.00	CG Sym. on planes	270-90

Luminance cd/m2 Table 2/3

	C 130.00	C 140.00	C 150.00	C 160.00	C 170.00	C 180.00	C 190.00	C 200.00	C 210.00	C 220.00	C 230.00	C 240.00	C 250.00
G 0.0	45438.06	45438.06	45438.06	45438.06	45438.06	45438.06	45438.06	45438.06	45438.06	45438.06	45438.06	45438.06	45438.06
G 5.0	44686.02	44805.30	44943.62	45105.71	45283.19	45468.62	45654.73	45819.25	45969.25	46126.32	46240.81	46311.51	46385.18
G 10.0	44078.14	44266.91	44475.83	44781.84	45136.42	45501.42	45872.41	46210.24	46520.76	46840.32	47112.85	47312.19	47457.07
G 15.0	43569.45	43859.57	44178.72	44545.08	45018.90	45584.32	46151.80	46683.99	47170.37	47604.33	47945.48	48190.54	48368.53
G 20.0	42836.50	43350.23	43820.32	44278.70	44902.90	45697.97	46486.62	47195.46	47815.74	48352.57	48726.55	48966.74	49179.40
G 25.0	42072.96	42539.62	43431.48	44070.81	44767.67	45756.16	46818.15	47774.82	48551.96	49141.50	49449.43	49551.03	49650.94
G 30.0	32817.38	41946.02	42770.13	43646.00	44792.10	45757.54	47081.76	48304.15	49122.90	49726.09	49897.67	49903.27	49980.47
G 35.0	6666.59	23044.16	40807.19	42607.02	44247.60	45728.93	47530.09	48739.40	49586.86	50054.63	50087.50	49990.70	50002.36
G 40.0	496.50	11626.45	36972.07	38987.14	41704.20	45123.23	47894.98	49081.04	49805.51	50170.66	50073.66	49783.89	49808.10
G 45.0	279.32	2070.87	12058.11	30939.65	41484.06	41955.61	46122.65	49596.72	49746.45	49704.55	49614.44	49335.93	49180.31
G 50.0	179.69	358.04	603.48	24242.79	36910.17	40354.37	44416.13	48475.02	49158.22	49041.17	48807.02	48379.78	47592.66
G 55.0	87.57	189.07	355.88	21003.53	36448.81	38841.84	41959.96	45644.99	47641.97	47592.32	46050.03	43336.95	39737.73
G 60.0	76.78	132.42	222.66	14257.82	27696.13	34247.25	39110.88	43057.62	45100.32	43846.29	38432.88	30492.94	23643.60
G 65.0	81.16	96.64	116.29	1825.72	10673.99	29620.74	36854.53	38845.57	38842.40	32204.36	22205.88	13570.71	9230.58
G 70.0	104.22	114.93	132.17	378.80	6768.23	22995.86	30869.67	31615.04	26655.39	15538.24	7236.52	5054.57	4793.24
G 75.0	161.23	166.12	177.65	185.74	3898.36	14740.79	22146.28	19377.93	10255.13	5480.15	4116.94	3556.95	2837.04
G 80.0	293.59	291.98	293.63	292.26	1561.65	5984.37	10370.74	8725.84	3294.94	3096.29	2988.69	2972.14	2070.71
G 85.0	695.91	687.23	680.53	676.29	810.70	1495.41	2636.95	2943.83	2794.83	2824.06	3073.42	3150.50	2852.45
G 90.0	0.00	0.00	0.00	0.00	0.00	0.00	0.00	0.00	0.00	0.00	0.00	0.00	0.00

Luminaire

Code PX-0126-NEG
Name Aplique GROVE 12 leds 1.4W

Measurment.

Code PX-0126-NEG
Name Aplique GROVE 12 leds 1.4W

Luminaire Flux	95.33 lm	Luminaire Power	2.00 W	Efficacy	47.66 lm/W	Efficiency	100.00%
Lamps Flux	95.33 lm	Maximum value	518.78 cd/klm	Position	C=270.00 G=10.00	CG	Sym. on planes 270-90

Luminance cd/m2 Table 3/3

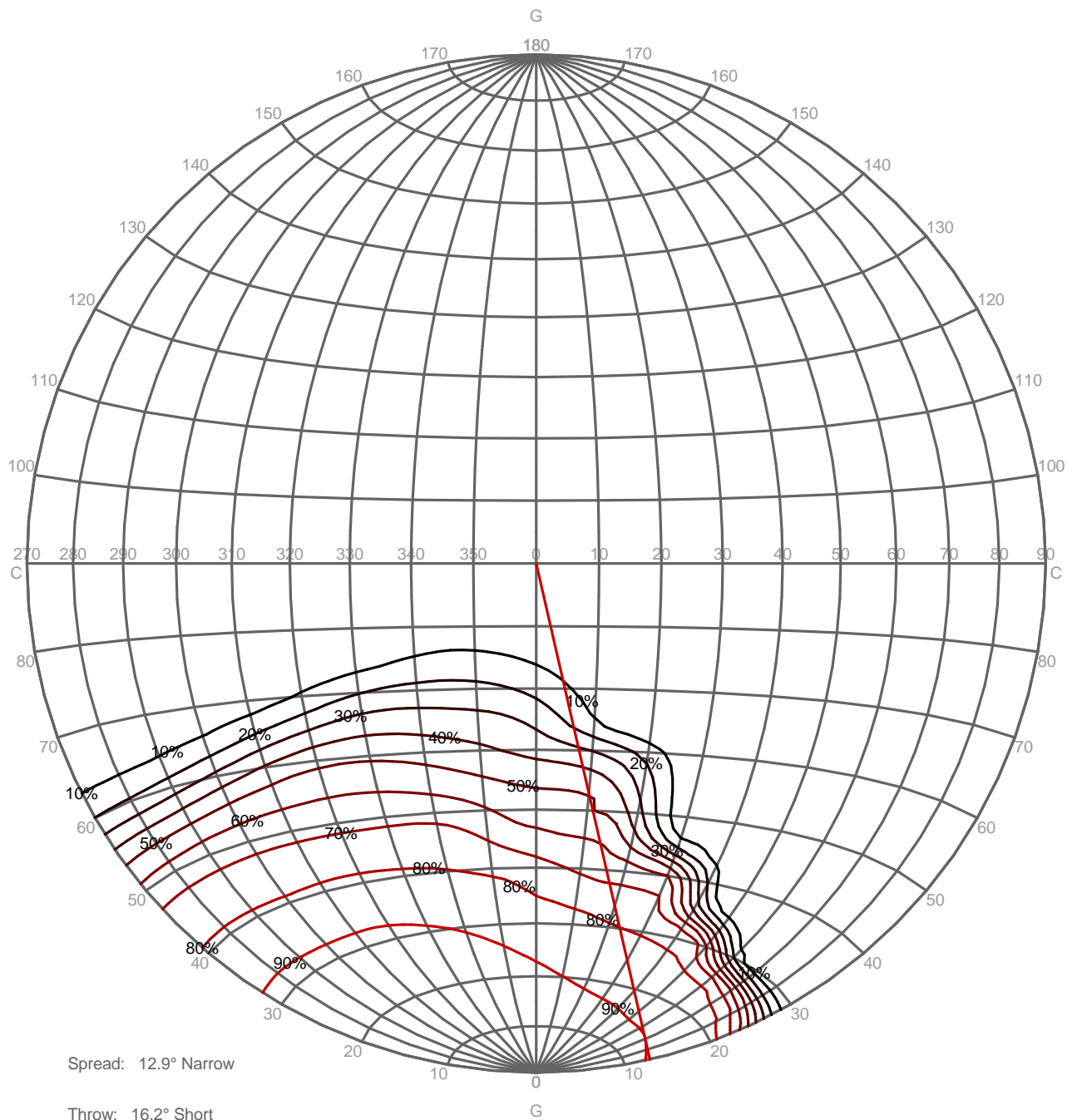
	C 260.00	C 270.00	C 280.00	C 290.00	C 300.00	C 310.00	C 320.00	C 330.00	C 340.00	C 350.00
G 0.0	45438.06	45438.06	45438.06	45438.06	45438.06	45438.06	45438.06	45438.06	45438.06	45438.06
G 5.0	46435.20	46454.11	46435.20	46385.18	46311.51	46240.81	46126.32	45969.25	45819.25	45654.73
G 10.0	47533.05	47555.17	47533.05	47457.07	47312.19	47112.85	46840.32	46520.76	46210.24	45872.41
G 15.0	48457.31	48474.61	48457.31	48368.53	48190.54	47945.48	47604.33	47170.37	46683.99	46151.80
G 20.0	49266.17	49218.16	49266.17	49179.40	48966.74	48726.55	48352.57	47815.74	47195.46	46486.62
G 25.0	49693.90	49701.18	49693.90	49650.94	49551.03	49449.43	49141.50	48551.96	47774.82	46818.15
G 30.0	50016.62	49925.22	50016.62	49980.47	49903.27	49897.67	49726.09	49122.90	48304.15	47081.76
G 35.0	50001.06	49936.35	50001.06	50002.36	49990.70	50087.50	50054.63	49586.86	48739.40	47530.09
G 40.0	49803.62	49666.10	49803.62	49808.10	49783.89	50073.66	50170.66	49805.51	49081.04	47894.98
G 45.0	49125.41	49100.38	49125.41	49180.31	49335.93	49614.44	49704.55	49746.45	49596.72	46122.65
G 50.0	46765.65	46061.11	46765.65	47592.66	48379.78	48807.02	49041.17	49158.22	48475.02	44416.13
G 55.0	37078.04	35789.81	37078.04	39737.73	43336.95	46050.03	47592.32	47641.97	45644.99	41959.96
G 60.0	19917.34	18817.66	19917.34	23643.60	30492.94	38432.88	43846.29	45100.32	43057.62	39110.88
G 65.0	7543.67	6695.97	7543.67	9230.58	13570.71	22205.88	32204.36	38842.40	38845.57	36854.53
G 70.0	4564.39	3947.04	4564.39	4793.24	5054.57	7236.52	15538.24	26655.39	31615.04	30869.67
G 75.0	2180.77	1736.72	2180.77	2837.04	3556.95	4116.94	5480.15	10255.13	19377.93	22146.28
G 80.0	1714.51	1712.85	1714.51	2070.71	2972.14	2988.69	3096.29	3294.94	8725.84	10370.74
G 85.0	2676.25	2807.00	2676.25	2852.45	3150.50	3073.42	2824.06	2794.83	2943.83	2636.95
G 90.0	0.00	0.00	0.00	0.00	0.00	0.00	0.00	0.00	0.00	0.00

Luminaire
 Code PX-0126-NEG
 Name Aplique GROVE 12 leds 1.4W
Measur.
 Code PX-0126-NEG
 Name Aplique GROVE 12 leds 1.4W

Luminaire Flux	95.33 lm	Luminaire Power	2.00 W	Efficacy	47.66 lm/W	Efficiency	100.00%
Lamps Flux	95.33 lm	Maximum value	518.78 cd/klm	Position	C=270.00 G=10.00	CG	Sym. on planes 270-90

PERCENTAGE ISOCANDLES

Projection: Equal Area SLI (glare) 10.3 Tight Tilting Angle:0°

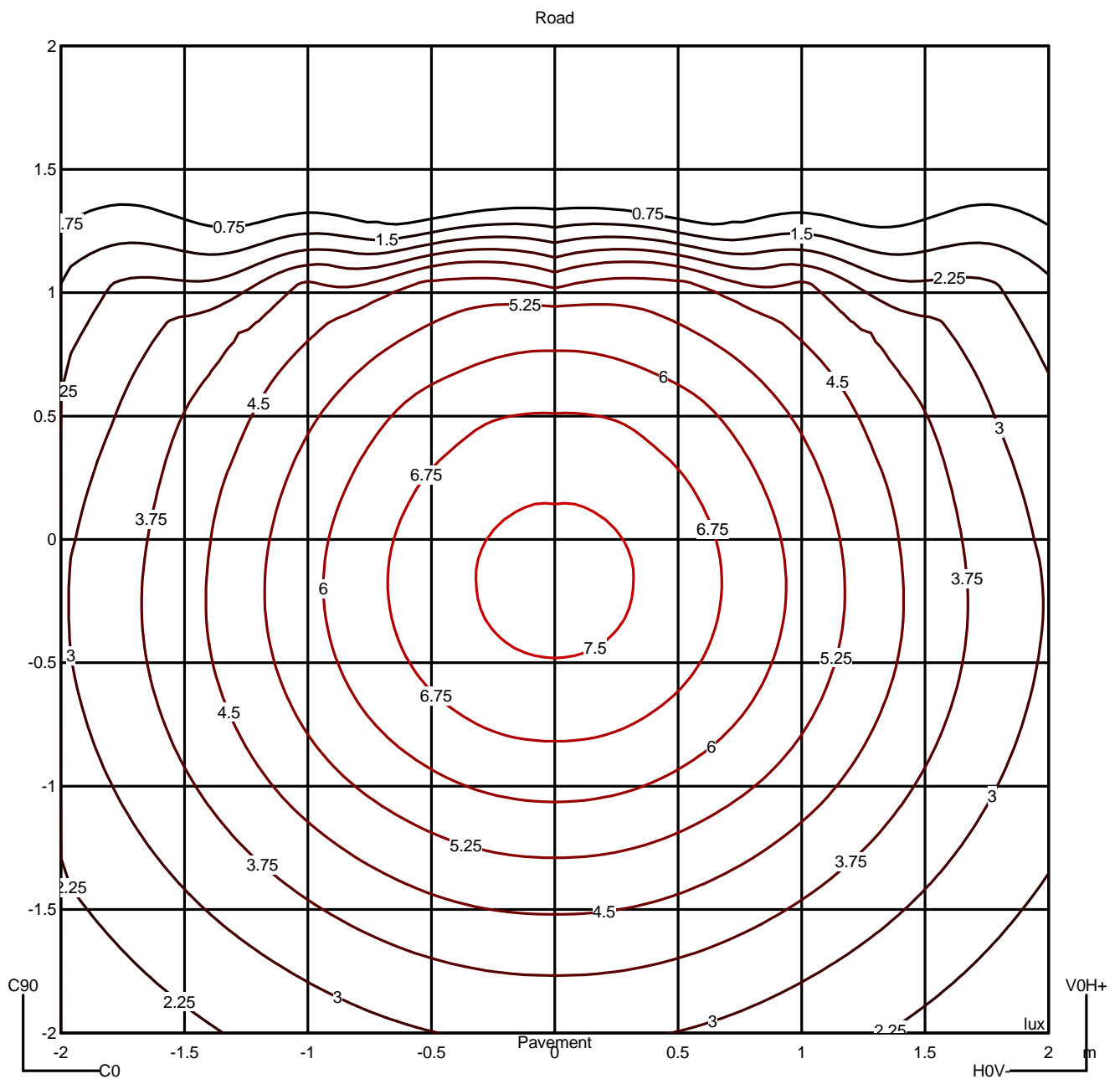


Luminaire
 Code PX-0126-NEG
 Name Aplique GROVE 12 leds 1.4W
Measur.
 Code PX-0126-NEG
 Name Aplique GROVE 12 leds 1.4W

Luminaire Flux	95.33 lm	Luminaire Power	2.00 W	Efficacy	47.66 lm/W	Efficiency	100.00%
Lamps Flux	95.33 lm	Maximum value	518.78 cd/klm	Position	C=270.00 G=10.00	CG	Sym. on planes 270-90

Isolux (Floor)

Luminaire position X=0.00m Y=0.00m Z=2.50m



Luminaire

Code PX-0126-NEG
 Name Aplique GROVE 12 leds 1.4W

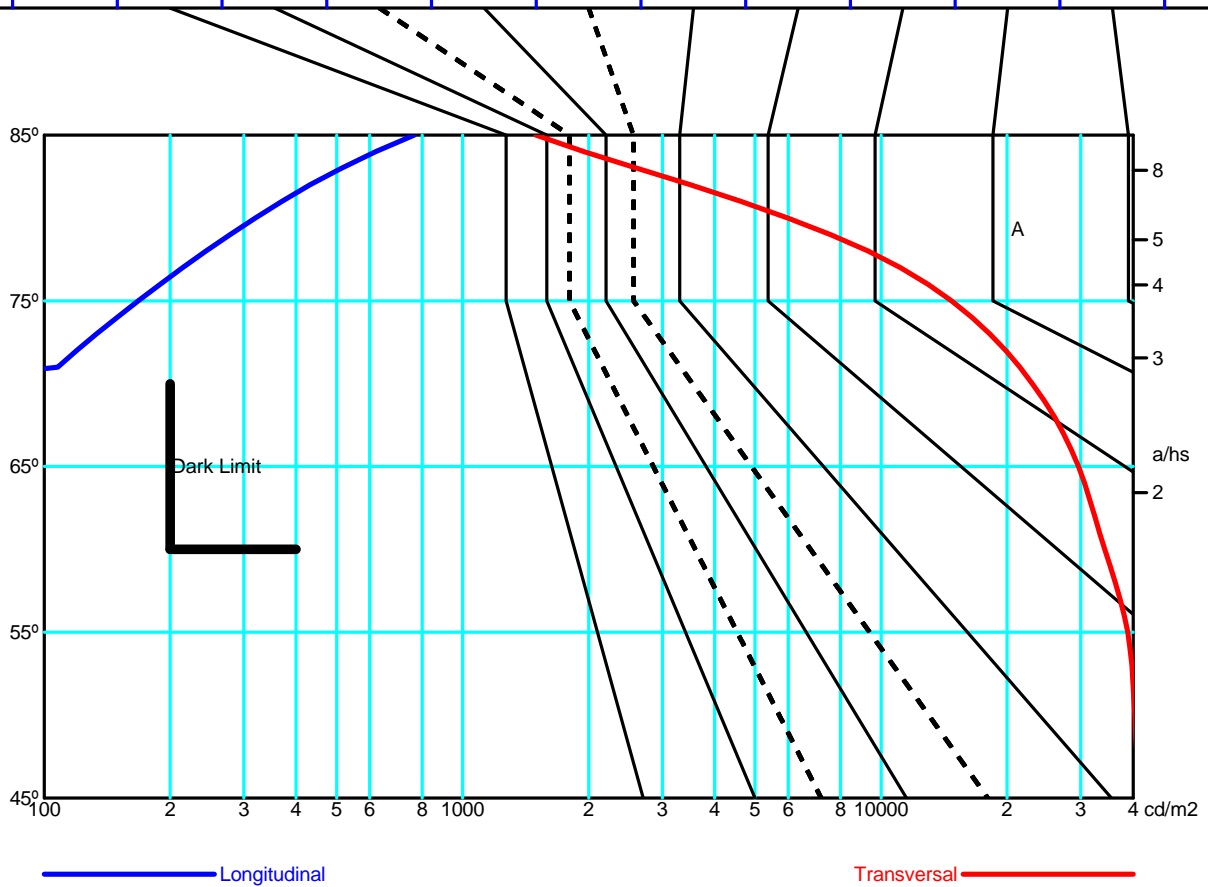
Measur.

Code PX-0126-NEG
 Name Aplique GROVE 12 leds 1.4W

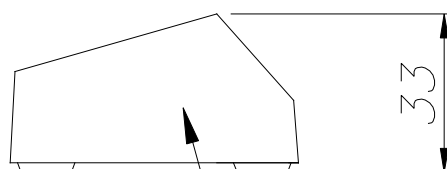
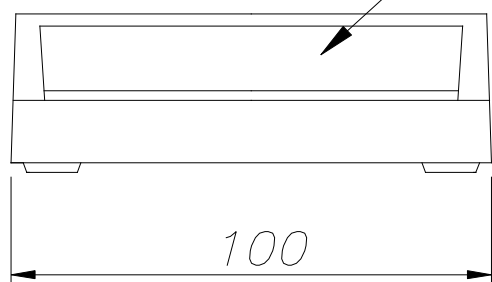
Luminaire Flux	95.33 lm	Luminaire Power	2.00 W	Efficacy	47.66 lm/W	Efficiency	100.00%
Lamps Flux	95.33 lm	Maximum value	518.78 cd/klm	Position	C=270.00 G=10.00	CG	Sym. on planes 270-90

		Average Luminance [cd/m ²]									
		45°	50°	55°	60°	65°	70°	75°	80°	85°	
0.0°	41956	40354	38842	34247	29621	22996	14741	5984	1495	---	
90.0°	46	33	37	47	64	98	168	320	767	---	

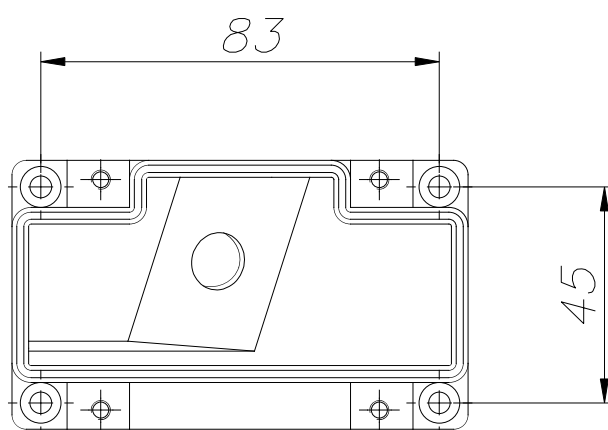
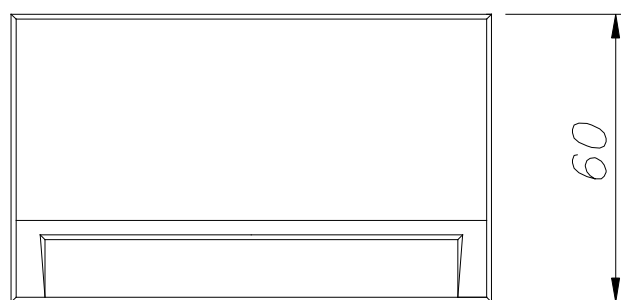
Flush mounted or longitudinal view												
		Illumination(lx)										
A	A	2000	1000	750	500		<300				1.15	
B	1		2000	1500	1000	750	500	<300			1.5	
C					2000		1000	500	<300		1.85	
D	2						2000	1000	500	<300	2.2	
E	3							2000	1000	500	<300	2.55



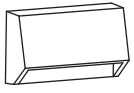
POLICARBONATO TRANSPARENTE
TRANSPARENT POLYCARBONATE



PC+ABS
PC+ABS



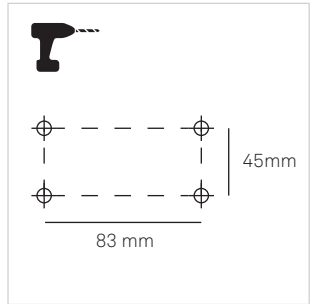
PLANTILLA DE INSTALACIÓN
INSTALLATION TEMPLATE



Grove

PX-0126

FOR
LIGHT



1

2

3

4

L — L
N — N

5

6

CLICK!

7

ON

