



MASTER LEDspot ExpertColor AR111



MAS ExpertColor 14.8-75W 930 AR111 45D

The MASTER LEDspot LV ExpertColor creates a warm and comfortable ambience for hospitality venues, homes and restaurants. It creates ambience with superior lighting that has a customised spectrum, high CRI and deep dimming features. The result? A beautiful lighting experience. What's more, the innovative, trimless lens design will also suit almost any interior decor with its clean and neat look. In addition, you can take advantage of the full ExpertColor family, which also includes LEDspot LV and LEDspot Par lamps.

Product data

General Information		Luminous flux in 90° cone (rated)	
Cap base	G53 [G53]		875 lm
EU RoHS compliant	Yes	Operating and Electrical	
Nominal lifetime (nom.)	40000 h	Input frequency	50 to 60 Hz
Switching cycle	50,000X	Power (Rated) (Nom)	14.8 W
	Narrow Cone	Lamp current (nom.)	1500 mA
Light Technical		Wattage equivalent	75 W
Colour Code	930 [CCT of 3,000 K]	Starting time (nom.)	0.5 s
Beam Angle (Nom)	45 °	Warm-up time to 60% light (nom.)	0.5 s
Luminous flux (nom.)	875 lm	Power factor (nom.)	0.7
Luminous intensity (nom.)	1300 cd	Voltage (Nom)	ac electronic 12 V
Colour designation	White (WH)	Temperature	
Correlated Colour Temperature (Nom)	3000 K	T-Case maximum (nom.)	85 °C
Luminous efficacy (rated) (nom.)	59.00 lm/W	Mechanical and Housing	
Colour consistency	<4	Lamp Finish	Clear
Colour rendering index (nom.)	95		
LLMF at end of nominal lifetime (nom.)	70 %		

MASTER LEDspot ExpertColor AR111

Bulb shape	AR111
------------	-------

Approval and Application

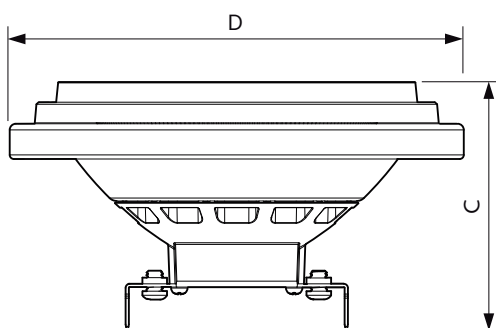
Energy Efficiency Class	G
Suitable for accent lighting	Yes
Energy consumption kWh/1,000 hours	15 kWh
	648246

Product Data

Full product code	871951433385700
-------------------	-----------------

Order product name	MAS ExpertColor 14.8-75W 930 AR111 45D
EAN/UPC – product	8719514333857
Order code	33385700
SAP numerator – quantity per pack	1
Numerator – packs per outer box	6
SAP material	929003042902
SAP net weight (piece)	0.160 kg

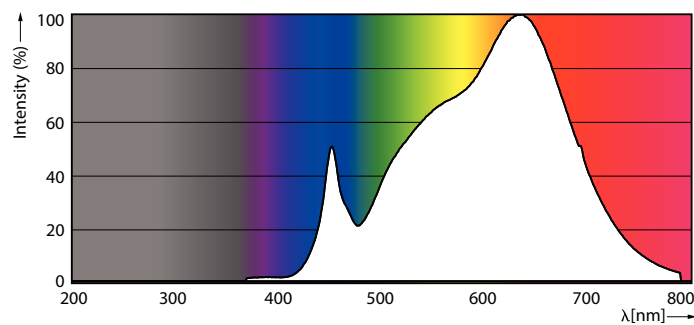
Dimensional drawing



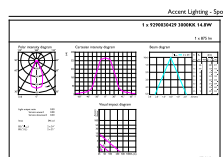
EC AR111 12V 15-75W 875lm 45D 3000K GU53

Product	D	C
MAS ExpertColor 14.8-75W 930 AR111 45D	111 mm	61 mm

Photometric data



LEDspots MAS SLR 14,8W AR111 G53 930 24D-POC POC

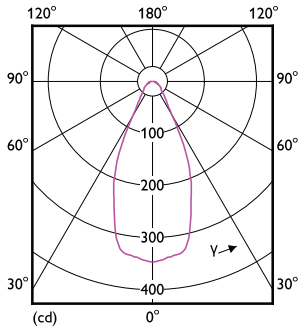


OSRAM Photometric V1 | Philips Lighting NV | Page 1/1

LEDspots MAS SLR 14,8W AR111 G53 930 45D-ADL ADL

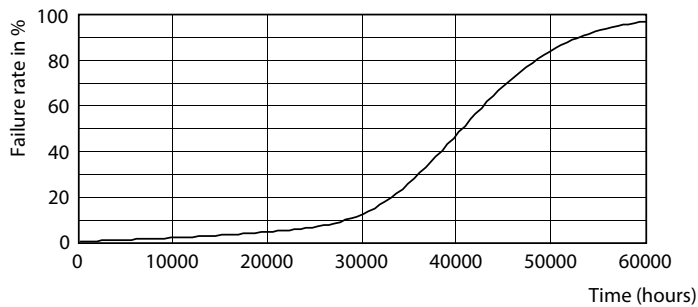
MASTER LEDspot ExpertColor AR111

Photometric data



LEDspots MAS SLR 14,8W AR111 G53 930 45D-LDD LDD

Lifetime



LEDspots LED 40K



LEDspots LMP 40K

