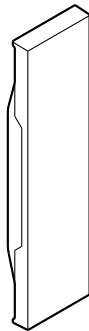


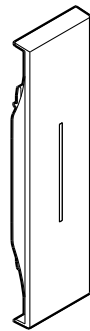
LIVING  
NOW

Fixed and movable covers

Cat. No(s): KW00 - KM00 - KG00 - KW01... - KM01... - KG01... - KW02 - KM02 - KG02 - KW03 - KM03 - KG03 - KW04 - KM04 - KG04 - KW5... - KM5... - KG5... - KW06... - KM06... - KG06... - KW07 - KM07 - KG07 - KW08 - KM08 - KG08 - KW09 - KM09 - KG09 - KW10... - KM10... - KG10... - KW11H - KM11H - KG11H - KW12C - KM12C - KG12C - KW14 - KM14 - KG14 - KW15... - KM15... - KG15... - KW16 - KM16 - KG16 - KW17... - KM17... - KG17... - KW18 - KM18 - KG18 - KW19... - KM19... - KG19... - KW22 - KM22 - KG22 - KW24 - KM24 - KG24 - KW30M2 - KM30M2 - KG30M2 - KW31 - KM31 - KG31 - KW33M2 - KM33M2 - KG33M2 - KW40M2 - KM40M2 - KG40M2 - KW41M2 - KM41M2 - KG41M2 - KW42... - KM42... - KG42... - KW43M2 - KM43M2 - KG43M2



K00



K01

1. USE

Fixed and movable covers Living Now.

2. RANGE

FIXED COVER - 1 Module

Blank pole	<input type="checkbox"/> KW00 <input type="checkbox"/> KM00 <input type="checkbox"/> KG00
Italian socket 10/16	<input type="checkbox"/> KW02 <input type="checkbox"/> KM02 <input type="checkbox"/> KG02
RJ11/45	<input type="checkbox"/> KW07 <input type="checkbox"/> KM07 <input type="checkbox"/> KG07
TV 1	<input type="checkbox"/> KW08 <input type="checkbox"/> KM08 <input type="checkbox"/> KG08
TV 2	<input type="checkbox"/> KW09 <input type="checkbox"/> KM09 <input type="checkbox"/> KG09
Connected socket module	<input type="checkbox"/> KW31 <input type="checkbox"/> KM31 <input type="checkbox"/> KG31
USB charge	<input type="checkbox"/> KW10C <input type="checkbox"/> KM10C <input type="checkbox"/> KG10C
USB data	<input type="checkbox"/> KW10P <input type="checkbox"/> KM10P <input type="checkbox"/> KG10P
HDMI	<input type="checkbox"/> KW14 <input type="checkbox"/> KM14 <input type="checkbox"/> KG14
Buzzer	<input type="checkbox"/> KW15 <input type="checkbox"/> KM15 <input type="checkbox"/> KG15
IR	<input type="checkbox"/> KW16 <input type="checkbox"/> KM16 <input type="checkbox"/> KG16
MUR & DND	<input type="checkbox"/> KW11H <input type="checkbox"/> KM11H <input type="checkbox"/> KG11H

2. RANGE (continued)

FIXED COVER - 1 Module (continued)

Transponder reader	<input type="checkbox"/> KW24 <input type="checkbox"/> KM24 <input type="checkbox"/> KG24
--------------------	---

FIXED COVER - 2 Modules

P40 sockets	<input type="checkbox"/> KW03 <input type="checkbox"/> KM03 <input type="checkbox"/> KG03
German / french socket	<input type="checkbox"/> KW04 <input type="checkbox"/> KM04 <input type="checkbox"/> KG04
2 USB	<input type="checkbox"/> KW12C <input type="checkbox"/> KM12C <input type="checkbox"/> KG12C
Buzzer 2m	<input type="checkbox"/> KW15M2 <input type="checkbox"/> KM15M2 <input type="checkbox"/> KG15M2
Cover IR auto	<input type="checkbox"/> KW17 <input type="checkbox"/> KM17 <input type="checkbox"/> KG17
Green switch + IR	<input type="checkbox"/> KW17SL <input type="checkbox"/> KM17SL <input type="checkbox"/> KG17SL
Ksenia	<input type="checkbox"/> KW4275 <input type="checkbox"/> KM4275 <input type="checkbox"/> KG4275
Gateway	<input type="checkbox"/> KW30M2 <input type="checkbox"/> KM30M2 <input type="checkbox"/> KG30M2

FIXED COVER - 3 Modules

Badge	<input type="checkbox"/> KW22 <input type="checkbox"/> KM22 <input type="checkbox"/> KG22
-------	---

Colours code:

- White
- Sand
- Black

**2. RANGE** (continued)

**MOBILE COVER - 1 Module**

Switch	<input type="checkbox"/> KW01 <input type="checkbox"/> KM01 <input type="checkbox"/> KG01
Switch MH	<input type="checkbox"/> KW01MHAG <input type="checkbox"/> KM01MHAG <input type="checkbox"/> KG01MHAG
Light symbol	<input type="checkbox"/> KW01A <input type="checkbox"/> KM01A <input type="checkbox"/> KG01A
Bell symbol	<input type="checkbox"/> KW01D <input type="checkbox"/> KM01D <input type="checkbox"/> KG01D
Key symbol	<input type="checkbox"/> KW01F <input type="checkbox"/> KM01F <input type="checkbox"/> KG01F
Gen symbol	<input type="checkbox"/> KW01MHGEN <input type="checkbox"/> KM01MHGEN <input type="checkbox"/> KG01MHGEN
Back home symbol	<input type="checkbox"/> KW01MHBAC <input type="checkbox"/> KM01MHBAC <input type="checkbox"/> KG01MHBAC
Bed symbol	<input type="checkbox"/> KW01MHBED <input type="checkbox"/> KM01MHBED <input type="checkbox"/> KG01MHBED
Jolly	<input type="checkbox"/> KW01X <input type="checkbox"/> KM01X <input type="checkbox"/> KG01X
Shutter push botton	<input type="checkbox"/> KW05 <input type="checkbox"/> KM05 <input type="checkbox"/> KG05
Shutter changeover	<input type="checkbox"/> KW06 <input type="checkbox"/> KM06 <input type="checkbox"/> KG06
MUR & DND	<input type="checkbox"/> KW06H <input type="checkbox"/> KM06H <input type="checkbox"/> KG06H
STOP	<input type="checkbox"/> KW06MH <input type="checkbox"/> KM06MH <input type="checkbox"/> KG06MH
Dimmer MH	<input type="checkbox"/> KW19MH <input type="checkbox"/> KM19MH <input type="checkbox"/> KG19MH
Basic dimmer	<input type="checkbox"/> KW19 <input type="checkbox"/> KM19 <input type="checkbox"/> KG19
Smart dimmer	<input type="checkbox"/> KW18 <input type="checkbox"/> KM18 <input type="checkbox"/> KG18

**MOBILE COVER - 2 Modules**

Switch	<input type="checkbox"/> KW01M2 <input type="checkbox"/> KM01M2 <input type="checkbox"/> KG01M2
Switch MH	<input type="checkbox"/> KW01MH2 <input type="checkbox"/> KM01MH2 <input type="checkbox"/> KG01MH2
ON/OFF symbol MH	<input type="checkbox"/> KW01MH2AG <input type="checkbox"/> KM01MH2AG <input type="checkbox"/> KG01MH2AG

**2. RANGE** (continued)

**MOBILE COVER - 2 Modules (continued)**

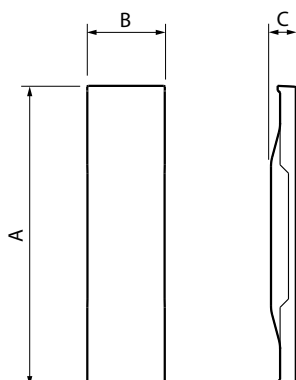
Light symbol	<input type="checkbox"/> KW01M2A <input type="checkbox"/> KM01M2A <input type="checkbox"/> KG01M2A
Light symbol MH	<input type="checkbox"/> KW01MH2A <input type="checkbox"/> KM01MH2A <input type="checkbox"/> KG01MH2A
Bell symbol	<input type="checkbox"/> KW01M2D <input type="checkbox"/> KM01M2D <input type="checkbox"/> KG01M2D
Bell symbol MH	<input type="checkbox"/> KW01MH2D <input type="checkbox"/> KM01MH2D <input type="checkbox"/> KG01MH2D
Key symbol	<input type="checkbox"/> KW01M2F <input type="checkbox"/> KM01M2F <input type="checkbox"/> KG01M2F
Key symbol MH	<input type="checkbox"/> KW01MH2F <input type="checkbox"/> KM01MH2F <input type="checkbox"/> KG01MH2F
Gen symbol MH	<input type="checkbox"/> KW01MH2GEN <input type="checkbox"/> KM01MH2GEN <input type="checkbox"/> KG01MH2GEN
Back symbol MH	<input type="checkbox"/> KW01MH2BACK <input type="checkbox"/> KM01MH2BACK <input type="checkbox"/> KG01MH2BACK
Bed symbol MH	<input type="checkbox"/> KW01MH2BED <input type="checkbox"/> KM01MH2BED <input type="checkbox"/> KG01MH2BED
Jolly	<input type="checkbox"/> KW01M2X <input type="checkbox"/> KM01M2X <input type="checkbox"/> KG01M2X
Jolly MH	<input type="checkbox"/> KW01MH2X <input type="checkbox"/> KM01MH2X <input type="checkbox"/> KG01MH2X
Shutter push botton	<input type="checkbox"/> KW05M2 <input type="checkbox"/> KM05M2 <input type="checkbox"/> KG05M2
Shutter MH	<input type="checkbox"/> KW05MH2 <input type="checkbox"/> KM05MH2 <input type="checkbox"/> KG05MH2
Dimmer MH	<input type="checkbox"/> KW19MH2 <input type="checkbox"/> KM19MH2 <input type="checkbox"/> KG19MH2
Smart gen battery	<input type="checkbox"/> KW40M2 <input type="checkbox"/> KM40M2 <input type="checkbox"/> KG40M2
Smart dimmer battery	<input type="checkbox"/> KW33M2 <input type="checkbox"/> KM33M2 <input type="checkbox"/> KG33M2
Smart shutter battery	<input type="checkbox"/> KW43M2 <input type="checkbox"/> KM43M2 <input type="checkbox"/> KG43M2
Smart switch battery	<input type="checkbox"/> KW42M2 <input type="checkbox"/> KM42M2 <input type="checkbox"/> KG42M2
Smart WAKE UP/SLEEP battery	<input type="checkbox"/> KW41M2 <input type="checkbox"/> KM41M2 <input type="checkbox"/> KG41M2

Colours code:  White  Sand  Black

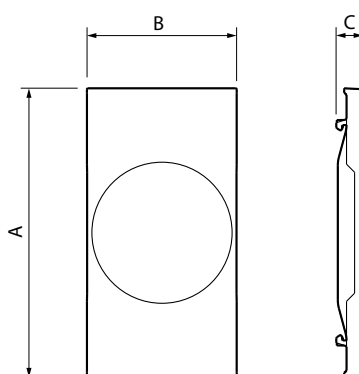
## Fixed and movable covers

### 3. OVERALL DIMENSIONS (mm)

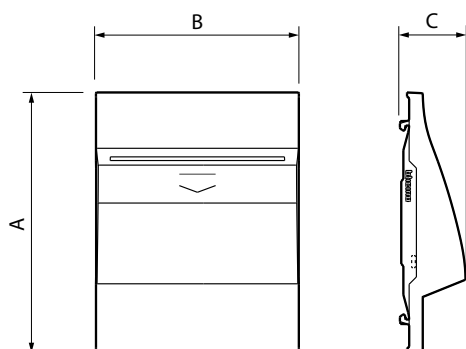
#### ■ Cover 1 module - (K00)



#### ■ Cover 2 modules - (K04)



#### ■ Cover 3 modules - (K22)



Cover	A	B	C
1 M	86	22	7
2 M	86	45	7.5
3 M	86	67	7.5

### 4. TECHNICAL CHARACTERISTICS

#### ■ 4.1 Mechanical characteristics

Impact test: IK 04

#### ■ 4.2 Material characteristics

Halogen-free

UV resistant

Self-extinguishing:

650°C/30 s for the other insulating components.

#### ■ 4.3 Climatic characteristics

Storage temperature: - 10°C to + 70°C

Use temperature: - 5°C to + 50°C

### 5. CLEANING

Surface cleaning with a cloth.

Do not use: acetone, tar remover, trichloroethylene.

**Caution:** A preliminary test should be carried out if other specific cleaning products are to be used.