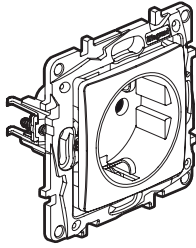
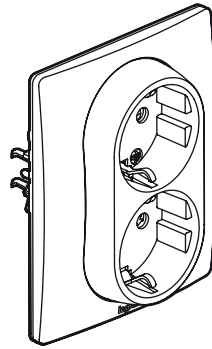


## Niloé™ Step Socket outlets - German Standard

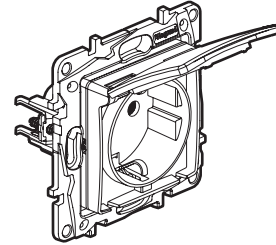
Cat. No(s): 8 640 19/20/21/22 - 8 641 19/20/21/22  
 8 643 19/20/21/22 - 8 645 19/20/21/22  
 8 646 19/20/21/22 - 8 649 19/20/21/22/25



8 649 20/25



8 649 22



8 649 21

### 1. USE

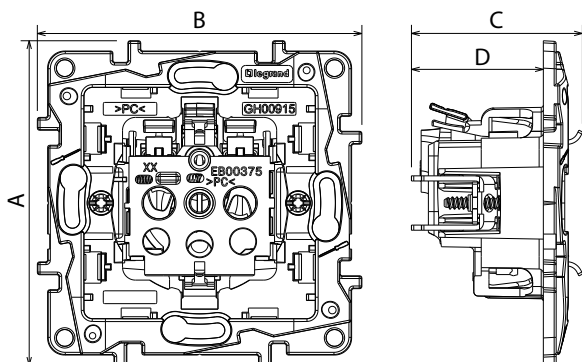
Socket outlets with or without shutters.  
 Mechanisms supplied with protection cover.  
 To be equipped with plates one or several gangs.  
 Flush-mounting or surface-mounting.  
 Screw or claw fixing.

### 2. RANGE

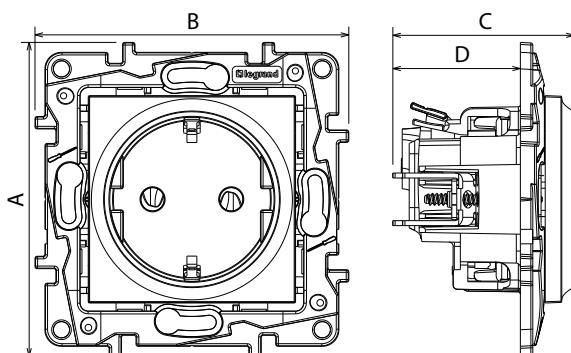
Description	Mechanism only	Mechanism + Cover plate	Cover plate only			
		White	White	Aluminium	Black	Sand
2 P socket	8 640 19	8 649 19	8 641 19	8 643 19	8 645 19	8 646 19
2 P+E socket automatic terminal	8 640 20	8 649 20	8 641 20	8 643 20	8 645 20	8 646 20
2 P+E socket outlet with flap cover	-	8 649 21	8 641 21	8 643 21	8 645 21	8 646 21
2 x 2 P+E compact socket outlet	8 640 22	8 649 22	8 641 22	8 643 22	8 645 22	8 646 22
2 P+E socket screw terminal	8 640 21	8 649 25	8 641 20	8 643 20	8 645 20	8 646 20

### 3. DIMENSIONS (mm)

Cat. No 8 640 XX



Cat. No 8 649 XX



References	A	B	C	D
8 640 19	75.8	75.8	36.6	30.8
8 640 20	75.8	75.8	40	30.8
8 640 21	75.8	75.8	41.5	30.8
8 640 22	82	71	46.5	31.3
8 649 19	75.8	75.8	40.8	30.8
8 649 20	75.8	75.8	43.8	30.8
8 649 21	75.8	75.8	48.7	30.8
8 649 22	104	86	53.6	31.3
8 649 25	75.8	75.8	41.5	30.8

### 4. CONNECTION

References	Type of terminals	Stripping length (mm)
8 64X 19/20/21	Automatic	12
8 64X 21/25	Screw	9
8 64X 22	Automatic	13

Capacity: 2 x 2.5 mm<sup>2</sup>  
 Flexible or rigid cables compatible

### 5. TECHNICAL CHARACTERISTICS

#### ■ 5.1 Mechanical characteristics

Protection against solid bodies and liquids: IP 20  
 Protection against impact: IK 04

#### ■ 5.2 Material characteristics

Material : - Mechanism housing: PC

- Halogen free
- UV resistant
- Claws: steel

Material of the support: - PC

- Halogen free

Self-extinguishing:

- + 850° C / 30 s for insulating parts holding live parts in place
- + 650° C / 30 s for other parts made of insulating materials

#### ■ 5.3 Electrical characteristics

Voltage: 250 V~

Current: 16 A

Frequency: 50/60 Hz

#### ■ 5.4 Climatic characteristics

Storage and use temperature: - 5° C to + 35° C

### 6. MAINTENANCE

Surface cleaning with a cloth.

Do not use: acetone, tar remover, trichloroethylene.

Maintenance with the following products: Hexane (EN 60669-1), Methylated spirit, Soapy water, Diluted ammonia, Bleach diluted to 10%, Window-cleaning products.

**Caution:** A preliminary test should be carried out if other specific cleaning products are to be used.

### 7. STANDARDS AND APPROVALS

Compliance with standards of installation and manufacturing.  
 Refer to e. catalogue.