

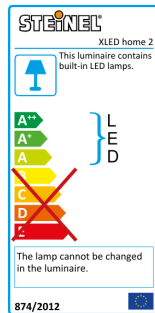
Sensor-switched LED floodlight

XLED home 2

white

EAN 4007841 033088

STEINEL[®]
Intelligent technology



LED

14,8w



4000K neutral white



infrared sensor 140°



max. 14 m



IP44



180° horizontal, 180° vertical



180° horizontal, 90° vertical



2 - 2000 lux



8 sec - 35 min

Function description

Top seller. Now even better. XLED home 2 sensor-switched outdoor floodlight for even more safety and security. Fully swivelling LED panel in classy stainless-steel look. For the most exacting of demands on design and maximum lighting convenience. 1184 lm at a power consumption of only 14,8 W. Swivelling precision IR sensor (horizontally: 180°, vertically: 90°). 140° angle of coverage, 14 m reach. High thermal conductivity magnesium composite cooling system (HCMC).

Technical specifications

Dimensions (L x W x H)	194 x 180 x 161 mm	With motion detector	Yes
Mains power supply	230 – 240 V / 50 – 60 Hz	Detection angle	140 °
Mounting height max.	4,00 m	Sneak-by guard	Yes
Sensor Technology	passive infrared	Capability of masking out individual segments	Yes
Output	14,8 W	Reach, radial	r = 3 m (11 m ²)
Interconnection	Yes	Photo-cell controller	Yes
Type of interconnection	Sensor/slave	Time setting	8 s – 35 Min.
Interconnection, number	maximum of 10 floodlights	Impact resistance	IK00
Luminous flux	1184 lm	IP rating	IP44
Colour temperature	4000 K	Protection class	II
Colour variation LED	SDCM3	Housing material	HCMC
Colour Rendering Index CRI	80-89	Cover material	Plastic, opal
With lamp	Yes, STEINEL LED system	Manufacturer's Warranty	5 years
Lamp	LED cannot be replaced	PU1, net weight	0,574 kg
LED life expectancy (max. °C)	50000 h	Version	white
Drop in luminous flux in accordance with LM80	L70B10	PU1, EAN	4007841033088
LED cooling system	HCMC (High Conductive Magnesium Composite)		

<https://www.steinel.de>

Sensor-switched LED floodlight

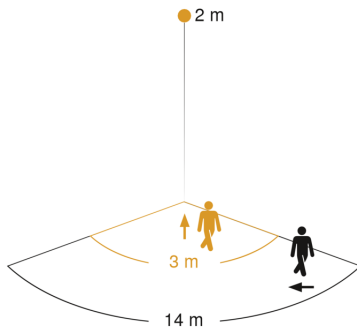
XLED home 2

white

EAN 4007841 033088



Detection Zone

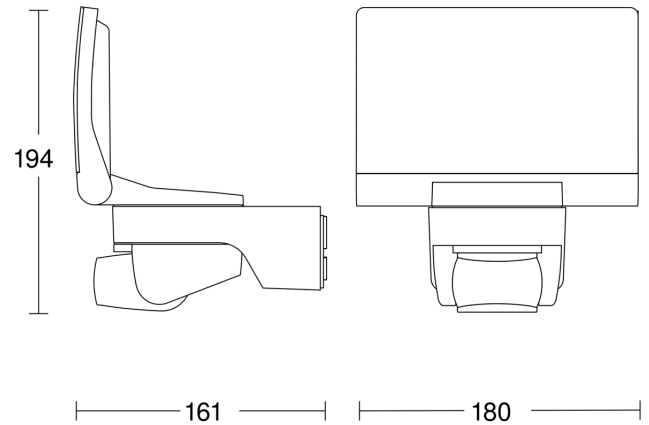


Mögliche Montagehöhe: 1,80 m – 4,00 m

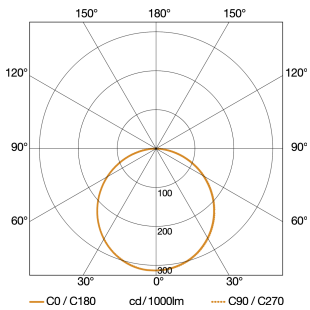
Orange: radial

Schwarz: tangential

Dimension Drawing

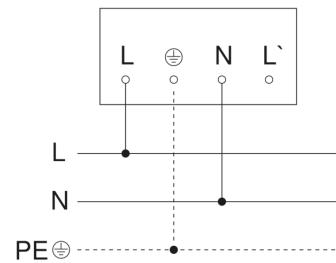


Light Distribution Curve



Output	14,8 W
With lamp	Yes, STEINEL LED system
Lamp	LED cannot be replaced
Luminous flux	1184 lm
Colour temperature	4000 K
Colour Rendering Index CRI	80-89
LED life expectancy (max. °C)	50000 h
LED cooling system	HCMC (High Conductive Magnesium Composite)

Master circuit diagram



Sensor-switched LED floodlight

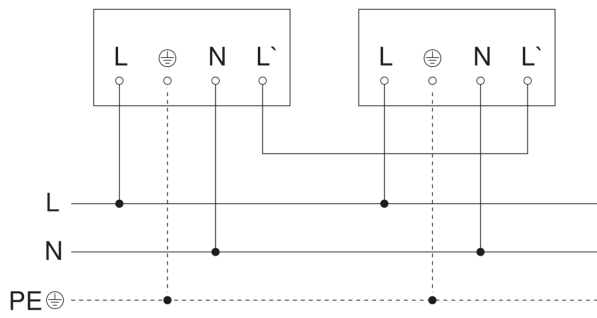
XLED home 2

white

EAN 4007841 033088



Master/master interconnection circuit diagram



Master/slave interconnection circuit diagram

