

XS618B1PAL2

inductive sensor XS6 M18 - L62mm - brass -
Sn8mm - 12..48VDC - cable 2m



Main

| | |
|------------------------------------|---|
| Range of product | OsiSense XS |
| Series name | General purpose |
| Sensor type | Inductive proximity sensor |
| Device application | Mobile equipment |
| Sensor name | XS6 |
| Sensor design | Cylindrical M18 |
| Size | 62 mm |
| Body type | Fixed |
| Detector flush mounting acceptance | Flush mountable |
| Material | Metal |
| Type of output signal | Discrete |
| Wiring technique | 3-wire |
| [Sn] nominal sensing distance | 8 mm |
| Discrete output function | 1 NO |
| Output circuit type | DC |
| Discrete output type | PNP |
| Electrical connection | Cable |
| Cable length | 2 m |
| [Us] rated supply voltage | 12...48 V DC with reverse polarity protection |
| Switching capacity in mA | <= 200 mA DC with overload and short-circuit protection |
| IP degree of protection | IP68 double insulation conforming to IEC 60529 IP69K conforming to DIN 40050 |

Complementary

| | |
|----------------|---------|
| Thread type | M18 x 1 |
| Detection face | Frontal |
| Front material | PPS |

| | |
|--------------------------|---------------------------------|
| Enclosure material | Nickel plated brass |
| Operating zone | 0...6.4 mm |
| Differential travel | 1...15% of Sr |
| Cable composition | 3 x 0.34 mm ² |
| Wire insulation material | PvR |
| Status LED | 1 LED (yellow) for output state |
| Supply voltage limits | 10...58 V DC |
| Switching frequency | <= 1000 Hz |
| Voltage drop | <= 2 V, closed state |
| Current consumption | <= 10 mA (no-load) |
| Delay first up | <= 10 ms |
| Delay response | <= 0.3 ms |
| Delay recovery | <= 0.7 ms |
| Marking | CE |
| Threaded length | 52 mm |
| Length | 62 mm |
| Product weight | 0.12 kg |

Environment

| | |
|---------------------------------------|---|
| Product certifications | CSA UL E2 |
| Ambient air temperature for operation | -25...70 °C |
| Ambient air temperature for storage | -40...85 °C |
| Vibration resistance | 25 gn, amplitude: +/- 2 mm (f = 10...55 Hz) conforming to IEC 60068-2-6 |
| Shock resistance | 50 gn (duration = 11 ms) conforming to IEC 60068-2-27 |

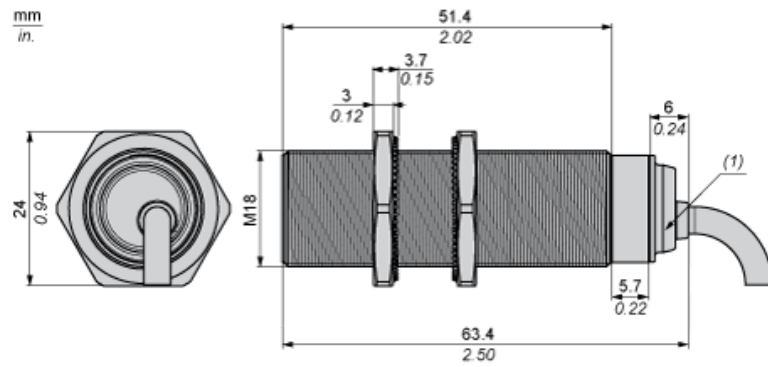
Offer Sustainability

| | |
|----------------------------------|---|
| Sustainable offer status | Green Premium product |
| RoHS (date code: YYWW) | Compliant - since 0813 - Schneider Electric declaration of conformity Schneider Electric declaration of conformity |
| REACH | Reference not containing SVHC above the threshold Reference not containing SVHC above the threshold |
| Product environmental profile | Available End of Life Information |
| Product end of life instructions | Available |

Contractual warranty

| | |
|-----------------|-----------|
| Warranty period | 18 months |
|-----------------|-----------|

Dimensions



(1) LED

Minimum Mounting Distances

Side by side



$e (1) \geq 16 \text{ mm}/0.63 \text{ in.}$

Face to face



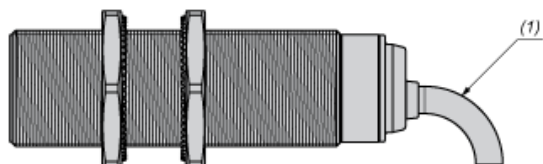
$e (2) \geq 100 \text{ mm}/3.94 \text{ in.}$

Facing a metal object



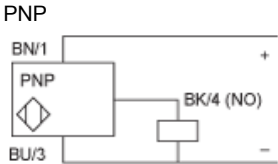
$e (3) \geq 25 \text{ mm}/0.98 \text{ in.}$

Mounting



(1) Bending cable: 4 x external cable diameter

Wiring Schemes



- BU : Blue
- BN : Brown
- BK : Black