

**RIDERSERIES RCM  
RCM570024**

**Weidmüller Interface GmbH & Co. KG**  
Klingenbergstraße 16  
D-32758 Detmold  
Germany  
Fon: +49 5231 14-0  
Fax: +49 5231 14-292083  
www.weidmueller.com

**Product image**



Standard relays in the RIDERSERIES RCM

- 4 CO contacts
- Optionally AC or DC coils
- with test button
- Comes optionally with integrated status display and/or free-wheel diode

**General ordering data**

|            |  |
|------------|--|
| Type       | RCM570024  |
| Order No.  | <a href="#">8690200000</a>   |
| Version    | RIDERSERIES RCM, Relay, No. of contacts: 4 CO contact with test button AgNi 90/10, Rated control voltage: 24 V DC, Continuous current: 6 A, Plug-in connection |
| GTIN (EAN) | 4032248360833  |
| Qty.       | 10 Stück   |

## RIDERSERIES RCM RCM570024

**Weidmüller Interface GmbH & Co. KG**  
 Klingenbergstraße 16  
 D-32758 Detmold  
 Germany  
 Fon: +49 5231 14-0  
 Fax: +49 5231 14-292083  
 www.weidmueller.com

## Technische Daten

### Dimensions and weights

|            |         |                 |            |
|------------|---------|-----------------|------------|
| Width      | 22,5 mm | Width (inches)  | 0,886 inch |
| Height     | 28 mm   | Height (inches) | 1,102 inch |
| Depth      | 29 mm   | Depth (inches)  | 1,142 inch |
| Net weight | 30,2 g  |                 |            |

### Temperatures

|                             |  |                             |                |
|-----------------------------|--|-----------------------------|----------------|
| Humidity                    | 40 °C / 93 % rel. humidity,<br>no condensation | Operating temperature, max. | 70 °C          |
| Operating temperature, min. | -40 °C   | Storage temperature, max.   | 85 °C          |
| Storage temperature, min.   | -40 °C   | Operating temperature       | -40 °C...70 °C |
| Storage temperature         | -40 °C...85 °C                                 |                             |                |

### Environmental Product Compliance

|            |                |
|------------|----------------|
| REACH SVHC | Lead 7439-92-1 |
|------------|----------------|

### Rated data UL

|                         |         |
|-------------------------|---------|
| Certificate No. (cURus) | E224238 |
|-------------------------|---------|

### Input

|                       |              |                                |                 |
|-----------------------|--------------|--------------------------------|-----------------|
| Rated control voltage | 24 V DC      | Rated current DC               | 31.3 mA         |
| Power rating          | 750 mW       | Pull-in/drop-out voltage, typ. | 18 V / 2.4 V DC |
| Coil resistance       | 777 Ω ± 10 % |                                |                 |

### Output

|   |   |   |              |
|---|---|---|--------------|
| Rated switching voltage                 | 240 V AC                                | Max. switching voltage, AC              | 240 V        |
| Continuous current                      | 6 A                                     | Inrush current                          | 12 A / 20 ms |
| AC switching capacity (resistive), max. | 1500 VA                                 | DC switching capacity (resistive), max. | 144 W @ 24 V |
| Switch-on delay                         | ≤ 15 ms                                 | Switch-off delay                        | ≤ 10 ms      |
| Min. switching power                    | 1 mA @ 24 V, 10 mA @ 12 V, 100 mA @ 5 V | Max. switching frequency at rated load  | 0,1 Hz       |

### Contact data

|  |  |  |
|--|--|--|
| Contact type                               | Mechanical service life  |  |
| 4 CO contact with test button (AgNi 90/10) | AC coil 20 x 10 <sup>6</sup> switching cycles, DC coil 30 x 10 <sup>6</sup> switching cycles |  |

### General data

|             |                |                                      |     |
|-------------|----------------|--------------------------------------|-----|
| Test button | yes (lockable) | Mechanical switch position indicator | Yes |
| Colour      | Transparent    | UL 94 flammability rating            | V-2 |

## RIDERSERIES RCM RCM570024

**Weidmüller Interface GmbH & Co. KG**  
 Klingenbergstraße 16  
 D-32758 Detmold  
 Germany  
 Fon: +49 5231 14-0  
 Fax: +49 5231 14-292083  
 www.weidmueller.com

## Technische Daten

### Insulation coordination

|  |                                |  |                                |
|--|--------------------------------|--|--------------------------------|
| Rated voltage                                  | 250 V                          | Surge voltage category                       | III                            |
| Pollution severity                             | 2                              | Insulating material group                    | IIIa                           |
| Protection degree                              | IP20                           | Dielectric strength, Input/Output            | 2.5 kV <sub>eff</sub> / 1 Min. |
| Creepage and clearance distance input – output | ≥ 4 mm                         | Dielectric strength of neighbouring contacts | 2 kV <sub>eff</sub> / 1 min    |
| Dielectric strength of open contact            | 1.2 kV <sub>eff</sub> / 1 min. | Impulse withstand voltage                    | 5 kV (1.2/50 µs)               |

### Further details of approvals / standards

|                         |                    |                       |                |
|-------------------------|--------------------|-----------------------|----------------|
| Standards               | IEC 61810-1, UL508 | Certificate No. (CSA) | 249409-2426937 |
| Certificate No. (cURus) | E224238            |                       |                |

### Connection data

|                        |                    |
|------------------------|--------------------|
| Wire connection method | Plug-in connection |
|------------------------|--------------------|

### Classifications

|            |             |            |             |
|------------|-------------|------------|-------------|
| ETIM 3.0   | EC001437    | ETIM 4.0   | EC001437    |
| ETIM 5.0   | EC001437    | ETIM 6.0   | EC001437    |
| UNSPSC     | 30-21-19-17 | eClass 5.1 | 27-37-16-01 |
| eClass 6.2 | 27-37-16-01 | eClass 7.1 | 27-37-16-01 |
| eClass 8.1 | 27-37-16-01 | eClass 9.0 | 27-37-16-01 |
| eClass 9.1 | 27-37-16-01 |            |             |

### Approvals

Approvals



|      |         |
|------|---------|
| ROHS | Conform |
|------|---------|

### Downloads

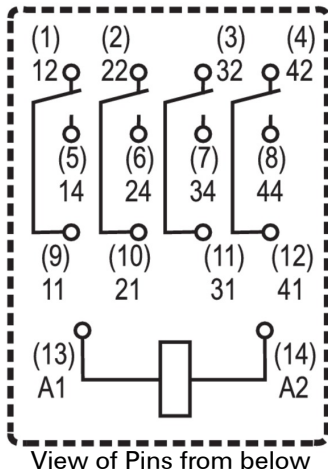
|   |  |
|---|--|
| Approval/Certificate/Document of Conformity | <a href="#">DE_PA5600_160401_001.pdf</a> |
| Brochure/Catalogue                          | <a href="#">CAT 4.2 ELECTR 18/19 EN</a>  |
| Engineering Data                            | <a href="#">EPLAN_WSCAD</a>              |
| Engineering Data                            | <a href="#">STEP</a>                     |

**RIDERSERIES RCM  
RCM570024**

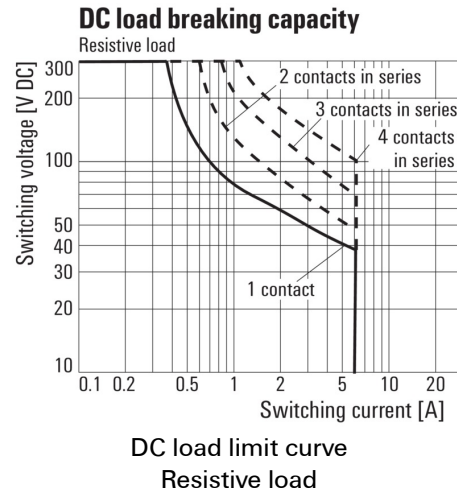
**Weidmüller Interface GmbH & Co. KG**  
Klingenbergstraße 16  
D-32758 Detmold  
Germany  
Fon: +49 5231 14-0  
Fax: +49 5231 14-292083  
www.weidmueller.com

**Zeichnungen**

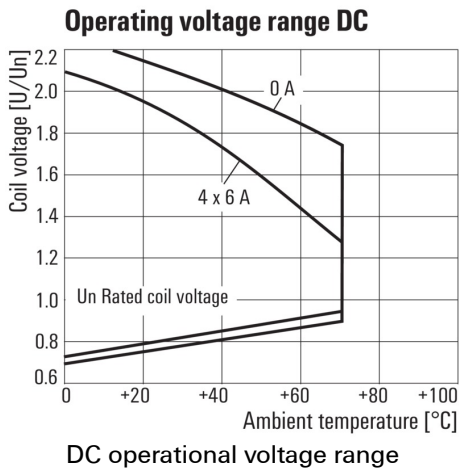
**Wiring diagram**



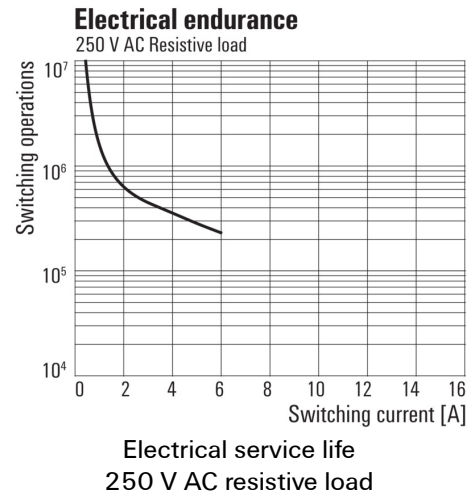
**Graph**



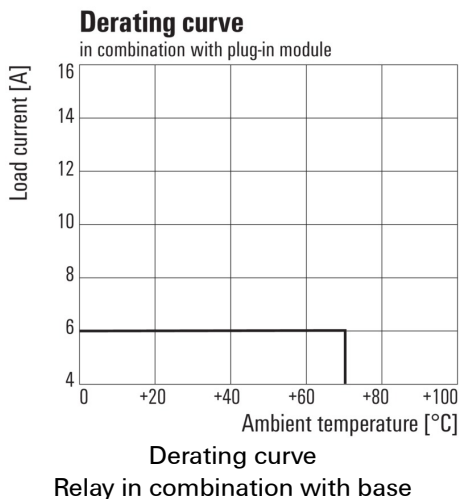
**Graph**



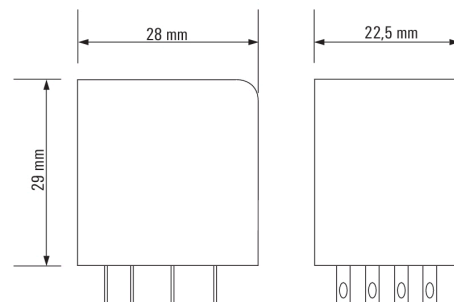
**Graph**



**Graph**



**Dimensional drawing**



## RIDERSERIES RCM RCM570024

**Weidmüller Interface GmbH & Co. KG**  
 Klingenbergstraße 16  
 D-32758 Detmold  
 Germany  
 Fon: +49 5231 14-0  
 Fax: +49 5231 14-292083  
 www.weidmueller.com

## Zeichnungen

### Miscellaneous

|  |     |   |   |   |   |                             |
|--|-----|---|---|---|---|-----------------------------|
|  | RCM | □ | □ | □ | □ |                             |
| <b>Type</b><br>RIDER Control Multiple  |     |   |   |   |   |                             |
| <b>Type of contact</b><br>2 2CO<br>3 3CO<br>5 4CO  |     |   |   |   |   |                             |
| <b>Contact material</b><br>7 AgNi 90/10 with test button<br>8 AgNi 90/10 hgp, with test button |     |   |   |   |   |                             |
|  |     |   |   |   |   | <b>Coil voltage</b>         |
|  |     |   |   |   |   | 006 6 V DC L06              |
|  |     |   |   |   |   | 012 12 V DC L12 AB2         |
|  |     |   |   |   |   | 024 24 V DC L24 AC4         |
|  |     |   |   |   |   | 048 48 V DC L48 AE8         |
|  |     |   |   |   |   | 060 60 V DC L60             |
|  |     |   |   |   |   | 110 110 V DC M10 BBO        |
|  |     |   |   |   |   | 220 220 V DC N20            |
|  |     |   |   |   |   | 506 6 V AC R06              |
|  |     |   |   |   |   | 512 12 V AC R12             |
|  |     |   |   |   |   | 524 24 V AC R24             |
|  |     |   |   |   |   | 548 48 V AC R48             |
|  |     |   |   |   |   | 615 115 V AC S15            |
|  |     |   |   |   |   | 730 230 V AC T30            |
|  |     |   |   |   |   | <b>Type of construction</b> |
|  |     |   |   |   |   | 0 Standard, 2,8mm Faston    |

Type codes