

## NexiTech LED



Reliability and continuity of service was the main consideration in the development of the new NexiTech LED Emergency lighting range.

The modern style, the simplicity of the shapes and the high quality surfaces make NexiTech LED ideal for any architectural context, while the precision of the mechanics and the sophisticated electronics guarantee a full unmatched reliability.

The latest generation of LED light source and the careful study of the refractive parts allow a uniform light distribution without light waste.

- From 150 to 300lm output flux
- Comparable to 8, 11 and 18W fluorescent lamp
- Ni-Cd HT high quality batteries

### Lamp Options

- LED strip

### Materials

- Base and reflector white polycarbonate
- Diffuser clear polycarbonate
- Protection degree IP40 and IP65 with the accessory kit

### Installation Notes

- Wall and ceiling mounting
- Surface or recessed installation in false ceilings and brick walls
- Pictograms: Single side glue-less
- ISO7010 pictograms with 20m viewing distance
- Double sided ISO7010 panels with 30m of viewing distance

### Options

- Maintained (M) and Non-Maintained (NM) mode on all versions
- Fixed 60lm output in Maintained (M) mode for all variants for high energy saving
- 3 hour duration
- Rest Mode and Tests via remote command

### Applications

- Schools, universities, shopping centres, stores, offices, public administration and all indoor generic environments
- Safety anti-panic lighting and escape route lighting

### Autotest available

All the self-contained versions (with battery on board) are equipped with a self-test system that performs automatic tests in accordance with standard EN62034 and EN50172.

### Top level signalization

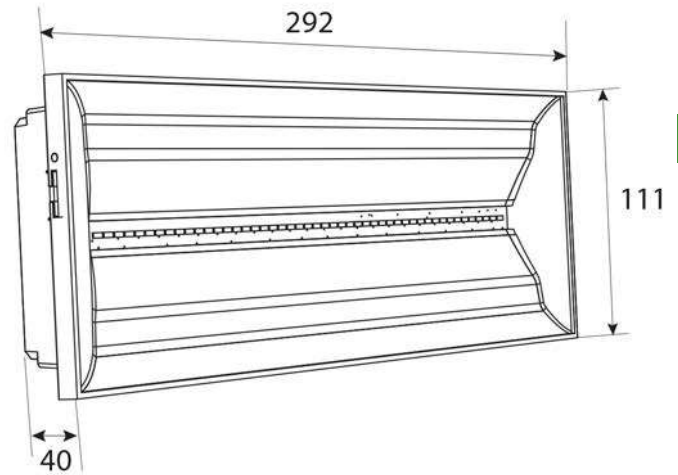
The pictograms, optional and available upon request, conform to the international standard ISO7010. The pictograms are easily positioned behind the transparent diffuser without the need for glue.

### Specification

Self Contained - Auto-Test/CGLine+ emergency luminaire – To specify: IP40 as standard and IP65 with accessory kit. Available in 20m and 30m(Double sided legend) viewing distances. Can be Recessed/Surface and wall mounted. Suitable for use as an emergency luminaire or exit sign by application of the required Pictogram / Panel legend, NiCd battery, Part no.\_\_\_\_\_

### Dimensions

Product	Length (mm)	Width (mm)	Depth (mm)
NexiTech LED	292	111	40



### NexiTech LED with IP65 protection kit

The IP65 kit is compatible with all the variants. Only surface mounting. Dimension 308 x 125 x 53mm



Catalogue numbers

Order code	Description	Wattage	Lumens	Time	Battery	System mode
NEXI150-3H-AT	NexiTech LED 150 3h Auto Test	1.3 W - 3.1 W	150 Lm	3h	3.6V - 2.0Ah NiCd	Maintained / Non-Maintained
NEXI250-3H-AT	NexiTech LED 250 3h Auto Test	2.25 W - 3.6 W	250 Lm	3h	7.2V - 1.7Ah NiCd	Maintained / Non-Maintained
NEXI150-3H-CGL	NexiTech LED 150 3h CGLLine+	1.3 W - 3.1 W	150 Lm	3h	7.2V - 1.7Ah NiCd	Maintained / Non-Maintained
NEXI150-3H-CGL-IP	NexiTech LED 150 3h IP65 CGLLine+	1.3 W - 3.1 W	150 Lm	3h	7.2V - 1.7Ah NiCd	Maintained / Non-Maintained
NEXI300-3H-CGL	NexiTech LED 300 3h CGLLine+	2 W - 3.2 W	300 Lm	3h	7.2V - 1.7Ah NiCd	Maintained / Non-Maintained
NEXI300-3H-CGL-IP	NexiTech LED 300 3h IP65 CGLLine+	2 W - 3.2 W	300 Lm	3h	7.2V - 1.7Ah NiCd	Maintained / Non-Maintained

\*Non maintained - Maintained

Accessories

Order code	Description
NEXI-IP	IP65 protection kit
NEXI-RB	Bricks wall recessed base (cut-out 277x100mm)
NEXI-FC	False ceiling adapter (cut-out 272x95mm)
NEXI-FR	Finishing frame NexiTech LED
LUM10312	Rest-Mode and Test telecommand

With double-sided pictograms  
Viewing distance: 30m



Single-side pictograms

Order code	Description	
NEXI-PICTO-D	Pictogram Down ISO single-side 20m	
NEXI-PICTO-L	Pictogram Left ISO single-side 20m	
NEXI-PICTO-R	Pictogram Right ISO single-side 20m	
NEXI-PICTO-U	Pictogram Up ISO single-side 20m	

With single-sided pictograms  
Viewing distance: 20m



Double-side panels

Order code	Description	
Ultra version - high uniformity - compatible IP40 housing		
NEXI-PLEX-DD	Double side panel Down/Down ISO 30m	
NEXI-PLEX-LR	Double side panel Left/Right ISO 30m	
NEXI-PLEX-DB	Double side panel Down/Blind ISO 30m	
NEXI-PLEX-UU	Double side panel Up/Up ISO 30m	
NEXI-PLEX-UB	Double side panel Up/Blind ISO 30m	

Recessed base for bricks wall

Order code: NEXI-RB  
Cut-out: 277x100 mm



Nexi LED frame

