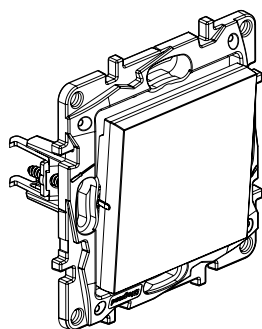
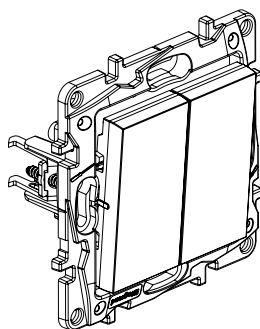


## Niloé™ Step Lighting controls 10 AX

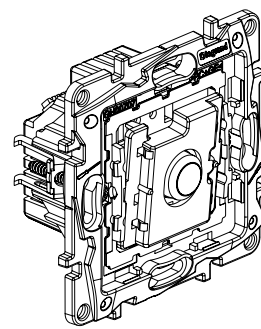
Cat. No(s): 8 640 01/03/05/06/07/08/09 - 8 641 01/03/05/06/07/08/09  
 8 643 01/03/05/06/07/08/09 - 8 645 01/03/05/06/07/08/09  
 8 646 01/03/05/06/07/08/09 - 8 649 01/05/06/07/08



8 649 01/06/07



8 649 05/07/08



8 640 09

### 1. USE

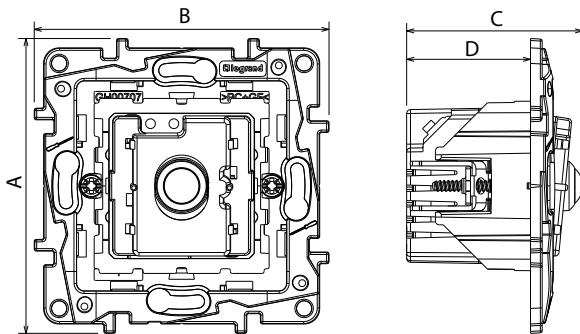
Lighting controls mechanisms 10 AX - 250 V~.  
 Mechanisms supplied with protection cover.  
 To be equipped with plates one or several gangs.  
 Flush-mounting or surface-mounting.  
 Screw or claw fixing.

### 2. RANGE

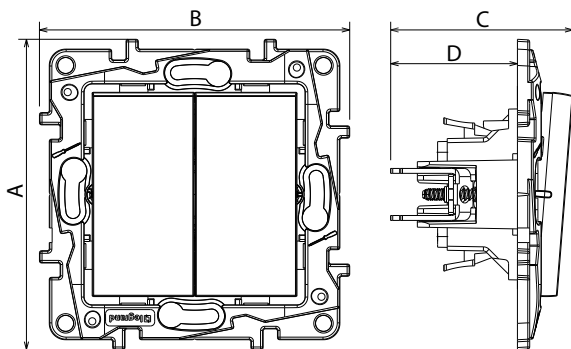
Description	Mechanism only	Mechanism + Cover plate	Cover plate only			
		White	White	Aluminium	Black	Sand
One-gang one-way switch	8 640 01	8 649 01	8 641 01	8 643 01	8 645 01	8 646 01
Two-gang one-way switch	8 640 05	8 649 05	8 641 05	8 643 05	8 645 05	8 646 05
Three-gang one-way switch	8 640 03	-	8 641 03	8 643 03	8 645 03	8 646 03
One-gang two-way switch	8 640 06	8 649 06	8 641 06	8 643 06	8 645 06	8 646 06
Two-gang two-way switch	8 640 08	8 649 08	8 641 08	8 643 08	8 645 08	8 646 08
Intermediate switch	8 640 07	8 649 07	8 641 07	8 643 07	8 645 07	8 646 07
Energy saving switch	8 640 09	-	8 641 09	8 643 09	8 645 09	8 646 09

**3. DIMENSIONS (mm)**

Cat. No 8 640 0X



Cat. No 8 649 0X



References	A	B	C	D
8 640 01/05/06/07/08	75.8	75.8	40.3	31
8 640 03	75.8	75.8	43	31
8 640 09	75.8	75.8	45.3	32
8 649 01/05/06/07/08	75.8	75.8	44.5	31

**4. CONNECTION**

Type of terminals: automatic  
 For Cat. no : 8 640 03/07 - 8 649 07 : Screw terminals  
 Capacity: 2 x 2.5 mm<sup>2</sup>  
 Flexible or rigid cables compatible

References	Stripping length (mm)
8 640 01/05/06/08	13
8 649 01/05/06/08	
8 640 03/07	10
8 649 07	
8 640 09	8

**5. TECHNICAL CHARACTERISTICS**

■ **5.1 Mechanical characteristics**

Protection against solid bodies and liquids: IP 20  
 Protection against impact: IK 04

■ **5.2 Material characteristics**

Material : - Mechanism housing: PC  
 - Rocker plate: ABS  
 - Halogen free  
 - UV resistant  
 - Claws: steel  
 Material of the support: - PC + FV  
 - Halogen free

Self-extinguishing:

+ 850° C / 30 s for insulating parts holding live parts in place  
 + 650° C / 30 s for other parts made of insulating materials

■ **5.3 Electrical characteristics**

Voltage: 250 V~  
 Current: 10 AX  
 Frequency: 50/60 Hz  
 Maximum power on integrated ballast lamps: 100 W

■ **5.4 Climatic characteristics**

Storage and use temperature: - 5° C to + 35° C

**6. MAINTENANCE**

Surface cleaning with a cloth.  
 Do not use: acetone, tar remover, trichloroethylene.

Maintenance with the following products: Hexane (EN 60669-1), Methylated spirit, Soapy water, Diluted ammonia, Bleach diluted to 10%, Window-cleaning products.

**Caution:** A preliminary test should be carried out if other specific cleaning products are to be used.

**7. STANDARDS AND APPROVALS**

Compliance with standards of installation and manufacturing.  
 Refer to e. catalogue.