

# PSM4-40/400 TT IR

77707807

**Surge Protection Device, Type 2, 4 poles, 3 phase WYE, 40kA(8/20),230V TT, with Remote Indication,**



Scan this QR code and see the full range



[Link to the product page](#)

Technical Data	Value	Units
<b>Commercial data</b>		
Code	77707807	
Part Number	PSM4-40/400 TT IR	
Status	Available	
EAN	8435297828259	
Tariff code (HS)	8536.30.90	
<b>Dimensions</b>		
Product height	90	[mm]
Product width	72	[mm]
Product length	70	[mm]
Product weight	420	[gr]
<b>General data</b>		
Internal configuration	3P+N	
No. poles	4	
No. DIN rail modules	4	
Installation	(L1-L2-L3-N-PE)	
Format	Pluggable	
Network configuration	TT, TNS	
Certifications	CE; UL 1449	
Designation according to EN 61643-11	Type 2	
Designation according to IEC 61643-11	Class II	
Insulating material & flammability class	PA66 CT1; V-0	
Enclosure	IP 20	
Temperature range	-40 °C ... +85 °C	
<b>Technical features</b>		

Supply voltage		<b>230 / 400 [V]</b>	
Nominal voltage AC 50-60 Hz (L-N)	Un (L-N)	<b>230</b>	[V]
Nominal voltage AC 50-60 Hz (L-L)	Un (L-L)	<b>400</b>	[V]
Maximum continuous operating voltage (L-N)	Uc (L-N)	<b>275</b>	[V]
Maximum continuous operating voltage (N-PE)	Uc (N-PE)	<b>265</b>	[V]
Maximum discharge current (8/20) (L-N)	I <sub>max</sub> (L-N)	<b>40</b>	[kA]
Nominal discharge current (8/20) (L-N)	I <sub>n</sub> (L-N)	<b>20</b>	[kA]
Nominal discharge current (8/20)	I <sub>n</sub>	<b>20</b>	[kA]
Voltage protection level (L-N) at I <sub>n</sub>	U <sub>p</sub> (L-N)	<b>1,3</b>	[kV]
Voltage protection level (N-PE) at I <sub>n</sub>	U <sub>p</sub> (N-PE)	<b>1,5</b>	[kV]
Maximum back-up fuse		<b>125</b>	A [gL]
Short circuit withstand	I <sub>sc</sub>	<b>25</b>	[kA]
Response time (L-N)	t <sub>A</sub> (L-N)	<b>25</b>	[ns]
Response time (N-PE)	t <sub>A</sub> (N-PE)	<b>100</b>	[ns]
Following current (N-PE)	I <sub>fi</sub>	<b>100</b>	[A]
Remote indication		<b>Yes</b>	
Visual end of life indication		<b>Yes</b>	
Dynamic thermal disconnection (L-N)		<b>Yes</b>	

### UL Technical features

File UL		<b>E360120</b>	
SPD UL Type		<b>2CA</b>	
Power distribution system		<b>3Y</b>	
Maximum continuous operating voltage (L-N)	MCOV (L-N)	<b>275</b>	[V]
Maximum continuous operating voltage (L-L)	MCOV (L-L)	<b>550</b>	[V]
Maximum continuous operating voltage (L-G)	MCOV (L-G)	<b>275</b>	[V]
Maximum continuous operating voltage (N-G)	MCOV (N-G)	<b>277</b>	[V]
Nominal discharge current (UL)	I <sub>n</sub>	<b>20</b>	[kA]
Voltage protection level (L-N) at I <sub>n</sub>	VPR (L-N)	<b>900</b>	[V]
Voltage protection level (L-L) at I <sub>n</sub>	VPR (L-L)	<b>1800</b>	[V]
Voltage protection level (L-G) at I <sub>n</sub>	VPR (L-G)	<b>1500</b>	[V]
Voltage protection level (N-G) at I <sub>n</sub>	VPR (N-G)	<b>700</b>	[V]
Short circuit current rating	SCCR	<b>85</b>	[kA]

## Specification data

### **PSM4-40/400 TT IR**

3 Phases + Neutral (3+1), modular surge arrester  
SPD Type 2 according to EN 61643-11  
SPD Class II according to IEC 61643-1  
High-capacity varistor technology  
Base part with plug-in protection modules  
Maximum continuous operating  
Voltage,  $U_c$  (L-N / N-PE) : 275 V AC / 265 V AC  
Voltage protection level,  $U_p$  (L-N / N-PE):  $\leq 1.3$  kV /  $\leq 1.5$  kV  
Nominal discharge current (8/20),  $I_n$  (L-N / N-PE): 20 kA / 20kA  
Maximum discharge current (8/20),  $I_{max}$  (L-N / N-PE): 40 kA / 40kA  
Short-circuit withstand capability,  $I_{sc}$ : 25 kArms  
Following current,  $I_{fi}$  (L-N / N-PE): not applicable / 100A  
Maximum back up fuse of 125A  
End of life visual indication  
Remote end-of-life monitoring  
Dynamic thermal disconnection  
Protection module with coding  
Multifunctional terminals for connection of conductors and busbars  
DIN rail mountable device acc. to EN 60715  
Polariser safety system to avoid cartridge replacement errors  
Reversible installation  
Material PT66 CT1-V0  
Width: 4 mod.  
Delivery and installation  
Manufacturer: Cirprotec  
Type: **PSM4-40/400 TT IR**  
Part No.: **77707807**  
1 Piece(s).  
or equal

Certifications

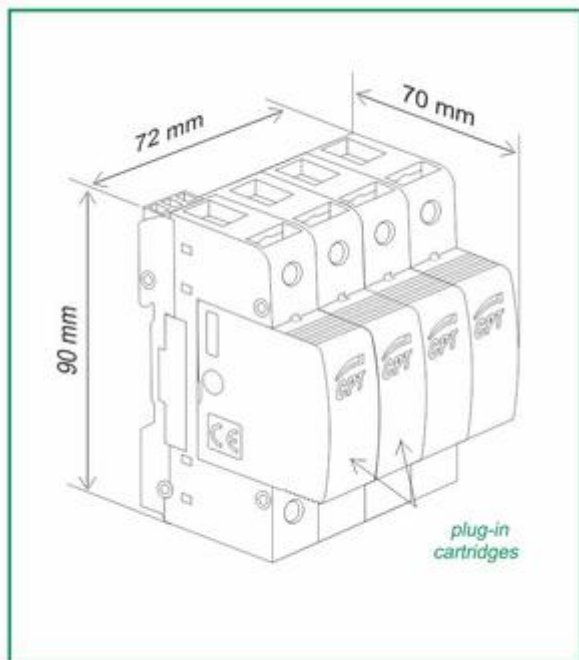
Value | Units

Certifications

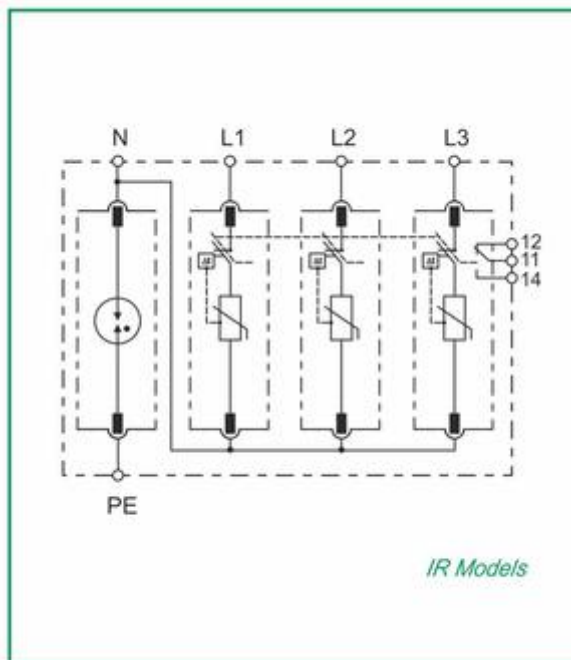
CE; UL 1449

Wiring diagrams

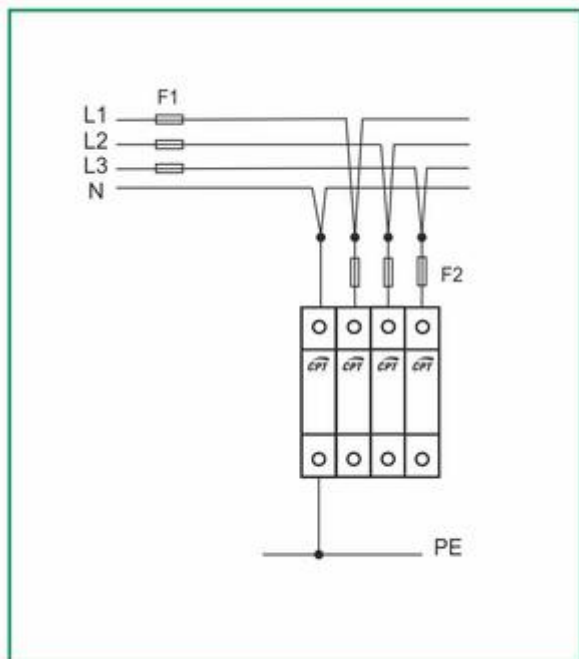
Dimensions



Internal configuration



Wiring diagram



Other images

PSM-POLARIZADOR



PSM-INDICADOR-REMOTA



PSM-CONEXION-BICONNECT



PSM-INDICADOR-ESTADO



PSM-SUSTITUCION-CARTUCHO



## Downloads

Install sheet	<a href="#">CPT-FAP-PROTECCION-CONTRA-SOBRETENSIONES-PSM4-40.pdf</a>
Wiring diagram (CAD)	<a href="#">CPT-CAD-PROTECCION-CONTRA-SOBRETENSIONES-PSM4-40-400-TT-IR-77707807.dwg</a>
Wiring diagram (PDF)	<a href="#">CPT-CIP-PROTECCION-CONTRA-SOBRETENSIONES-PSM4-40-400-TT-IR-77707807.pdf</a>
Specification text	<a href="#">CPT-SPC-SURGE-PROTECTION-PSM4-40-400-TT-IR-77707807.txt</a>

## Address



### Barcelona

**Cirprotec, S.L.**

C/ Lepanto, 49

08223 - Terrassa (Barcelona)

Tel. +34 937 331 684

Fax. +34 93 733 27 64

[www.cirprotec.com](http://www.cirprotec.com)

Copyright © Cirprotec, S.L.

[Legal Notice](#)