

PRODUCT DATASHEET

L 36 W/840

LUMILUX T8 | Tubular fluorescent lamps 26 mm, with G13 bases



AREAS OF APPLICATION

- Public buildings
- Office lighting
- Industry
- Shops
- Supermarkets and department stores
- Street lighting
- Outdoor applications only in suitable luminaires

PRODUCT BENEFITS

- Proven lamp technology
- Good economy thanks to high efficiency
- Available in many different light colors (2,700...8,000 K) for various applications

PRODUCT FEATURES

- Very good lumen maintenance: 90 % throughout the service lifetime of the lamp
- Good color rendering group: 1B (R_a : 80...89)
- Dimmable
- Top-quality three-band phosphor: LUMILUX



TECHNICAL DATA

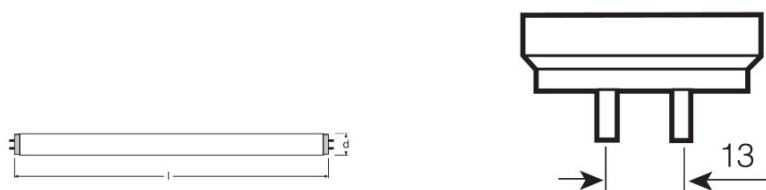
Electrical data

| | |
|-------------------------------------|---|
| Rated lamp efficacy (HF data 25 °C) | Under clarification by authority and standardization body |
| Rated wattage | 36.00 W |
| Nominal wattage | 36.00 W |

Photometrical data

| | |
|--|--------------------|
| Rated lamp efficacy (standard condition) | 93 lm/W |
| Color rendering index Ra | ≥80 |
| Luminous flux at 25 °C | 3350 lm |
| Light color | 840 |
| Rated color temperature | 4000 K |
| Nominal luminous flux | 3350 lm |
| Light color (designation) | LUMILUX Cool White |
| Rated LLMF at 2,000 h | 0.96 |
| Rated LLMF at 4,000 h | 0.94 |
| Rated LLMF at 6,000 h | 0.93 |
| Rated LLMF at 8,000 h | 0.91 |
| Rated LLMF at 12,000 h | 0.91 |
| Rated LLMF at 16,000 h | 0.90 |
| Rated LLMF at 20,000 h | 0.89 |
| Color temperature | 4000 K |
| Luminous flux | 3350 lm |
| Color rendering index Ra | ≥80 |

Dimensions & weight



G13
IEC 7004-51
DIN 49653 T1

| | |
|---|------------|
| Tube diameter | 26 mm |
| Length | 1200 mm |
| Length with base excl. base pins/connection | 1200.00 mm |

| | |
|-------------------------|---------|
| Diameter | 26.0 mm |
| Maximum diameter | 26.0 mm |

Temperatures & operating conditions

| | |
|---|---------|
| Rated ambient temp.w.max.luminous flux | 25.0 °C |
|---|---------|

Lifespan

| | |
|---|-----------------------|
| Service life | 18000 h ¹⁾ |
| Lifespan | 20000 h ¹⁾ |
| Rated lamp survival factor at 2,000 h | 0.99 |
| Rated lamp survival factor at 4,000 h | 0.99 |
| Rated lamp survival factor at 6,000 h | 0.99 |
| Rated lamp survival factor at 8,000 h | 0.99 |
| Rated lamp survival factor at 12,000 h | 0.99 |
| Rated lamp survival factor at 16,000 h | 0.90 |
| Rated lamp survival factor at 20,000 h | 0.50 |
| Operation mode LLMF/LSF | HF |
| Rated lamp life time | 20000 h |
| Nominal lamp life time | 20000 h |

¹⁾ With preheat ECG

Additional product data

| | |
|------------------------------------|--------|
| Base (standard designation) | G13 |
| Mercury content | 2.5 mg |
| Show WEEE picto | Yes |

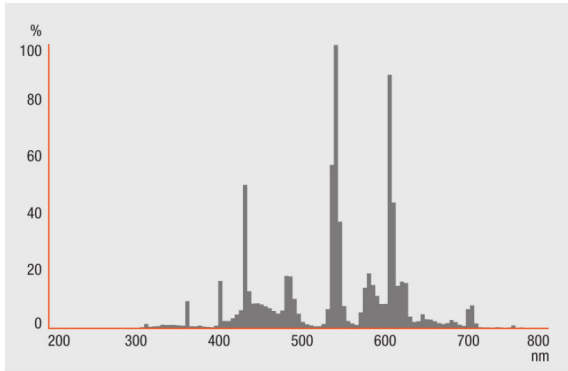
Capabilities

| | |
|----------------------------|-----|
| Dimmable | Yes |
| Suitable for indoor | Yes |

Certificates & standards

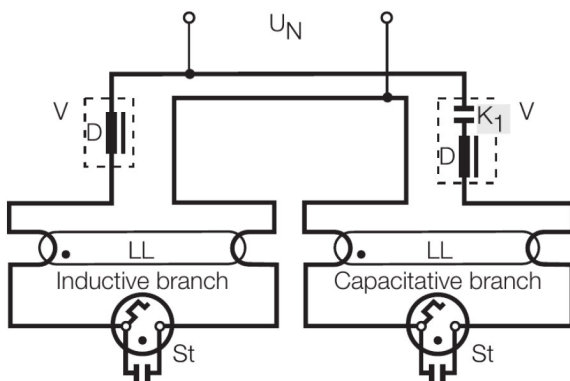
| | |
|--------------------------------|--------------|
| Energy efficiency class | A+ |
| Energy consumption | 43 kWh/1000h |

Light Distribution



Spectral power distribution

Wiring Diagram



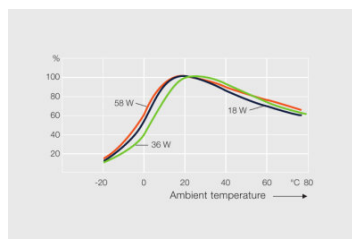
Wiring diagram

SYSTEM GUARANTEE

OSRAM System+ Guarantee in combination with OSRAM ECGs

SAFETY ADVICE

In case of lamp breakage: www.ledvance.com/brokenlamp



Others graphics

LOGISTICAL DATA

| Product code | Packaging unit (Pieces/Unit) | Dimensions (length x width x height) | Gross weight | Volume |
|---------------|------------------------------|--------------------------------------|--------------|-----------------------|
| 4050300336763 | Sleeves 1 | 28 mm x 36 mm x 1265 mm | 219.00 g | 1.28 dm ³ |
| 4050300336770 | Shipping carton box 10 | 1287 mm x 60 mm x 177 mm | 2857.00 g | 13.67 dm ³ |
| 4050300443300 | Unpacked 1 | 1212 mm x 24 mm x 26 mm | 157.50 g | 0.76 dm ³ |
| 4050300443317 | Shipping carton box 30 | 1269 mm x 169 mm x 206 mm | 6018.00 g | 44.18 dm ³ |
| 4050300517872 | Sleeves 1 | 1215 mm x 27 mm x 32 mm | 202.00 g | 1.05 dm ³ |
| 4050300517889 | Shipping carton box 25 | 1242 mm x 142 mm x 145 mm | 5450.00 g | 25.57 dm ³ |

The mentioned product code describes the smallest quantity unit which can be ordered. One shipping unit can contain one or more single products. When placing an order, for the quantity please enter single or multiples of a shipping unit.

REFERENCES / LINKS

For more information on the system guarantee and the terms and conditions of the guarantee visit

- ▶ www.ledvance.com/system-guarantee

DISCLAIMER

Subject to change without notice. Errors and omission excepted. Always make sure to use the most recent release.

LUMILUX T8 | Tubular fluorescent lamps 26 mm, with G13 bases

| Product name | Product name ECG | EAN | Nominal current | Nominal wattage + Power loss | Luminous flux at 35 °C | Number of lighting outlets |
|--------------|------------------------|---------------|-----------------|------------------------------|------------------------|----------------------------|
| L 36 W/840 | QT 1x36 DIM | 4008321645623 | 0.16 A | 36.00 W | 3350 lm | 1 |
| | QT 2x36 DIM | 4008321645838 | 0.32 A | 72.40 W | 3350 lm | 2 |
| | QT-FIT 5/8 1x18-39 | 4008321873927 | 0.16 A | 37.00 W | 3200 lm | 1 |
| | QT-FIT 5/8 2x18-39 | 4008321873903 | 0.31 A | 70.00 W | 3200 lm | 2 |
| | QT-FIT8 1x36 | 4008321294203 | 0.16 A | 36.00 W | 3200 lm | 1 |
| | QT-FIT8 2x36 | 4008321294265 | 0.32 A | 71.00 W | 3200 lm | 2 |
| | QTi 1x14/24/21/39 GII | 4008321383334 | 0.09 A | 35.00 W | 3350 lm | 1 |
| | QTi 2x14/24/21/39 GII | 4008321383396 | 0.31 A | 70.00 W | 3200 lm | 2 |
| | QTi DALI 1x36 DIM | 4050300870427 | 0.16 A | 36.00 W | 2700 lm | 1 |
| | QTi DALI 2x36 DIM | 4050300870885 | 0.30 A | 69.00 W | 2700 lm | 2 |
| | QT-M 2x26-42/220-240 S | 4008321110022 | 0.30 A | 70.00 W | 3200 lm | 2 |
| | QTP-DL 1x36-40 | | 0.17 A | 38.00 W | 3400 lm | 1 |
| | QTP-DL 2x36-40 | 4008321117922 | 0.35 A | 80.50 W | 3400 lm | 2 |
| | QTP-M 1x26-42 | 4008321329134 | 0.16 A | 35.00 W | 3350 lm | 1 |
| | QTP-OPTIMAL 1x18-40 | 4008321873743 | 0.16 A | 36.00 W | 3200 lm | 1 |
| | QTP-OPTIMAL 2x18-40 | 4008321873767 | 0.30 A | 71.00 W | 3200 lm | 2 |
| | QTz8 1x36 | 4008321863287 | 0.16 A | 36.00 W | 3200 lm | 1 |
| | QTz8 2x36 | 4008321863324 | 0.32 A | 71.00 W | 3200 lm | 2 |