

Linea 3000



AUDIO AND VIDEO
ENTRANCE PANELS

LINEA 3000 entrance panel

ONE entrance panel for every NEED

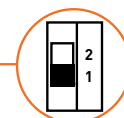
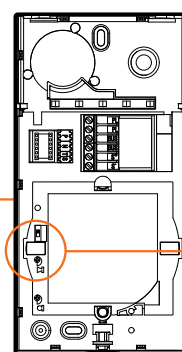
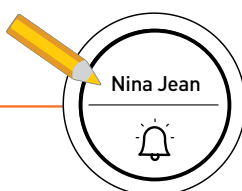
LINEA 3000 can be configured both for 1 and 2 family house



ONE FAMILY HOUSE



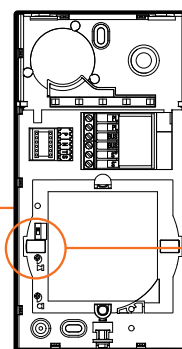
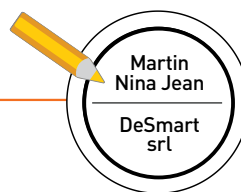
- Write the name on the one family nameplate label (supplied with the product).
- Set the internal micro-switch on position 1.



TWO FAMILY HOUSE



- Replace the nameplate label with the two family one (supplied with the product).
- Write the names on the two family nameplate label
- Set the internal micro-switch on position 2.



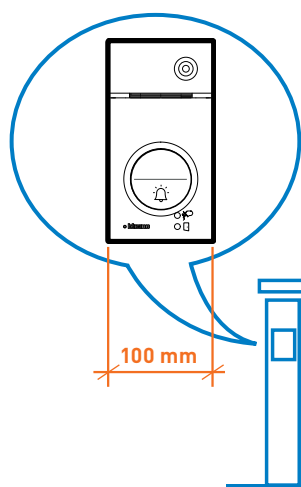
LINEA 3000 inside of the new professional kits

For **ONE FAMILY** house installation, you have to buy only the kit and all you need is inside it.

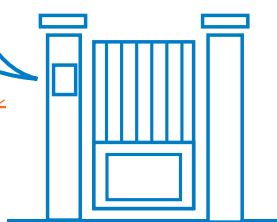
For **TWO FAMILY** house installation, you have to buy the kit + an additional 2 wires internal unit. (refer to 2 wires system internal units range).



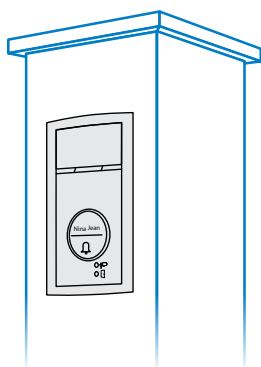
HIGH installation flexibility



100 mm width
Suitable for **POLE INSTALLATION**

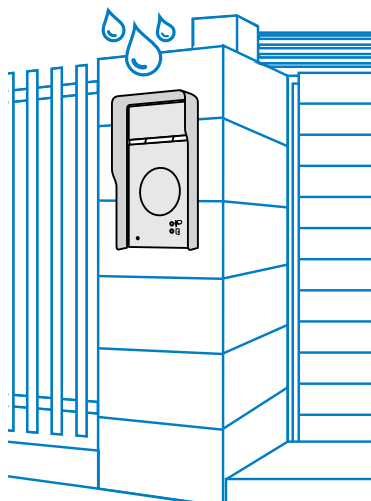


LINEA 3000 is sold for wall mounting installation but with the dedicated **(350020 + 343061) ACCESSORIES** (to be purchased separately), you can use the entrance panel for **FLUSH MOUNTING INSTALLATION**.



Ideal for renovations.....you can reuse the existing flush mounted box.
Same 2 Modules Tersystem and SFERA flush mounting box.

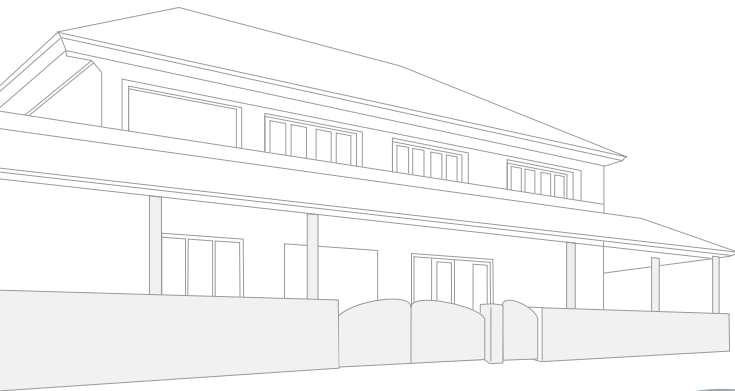
LINEA 3000 can be wall mounted with the dedicated **(343051) RAINSHIELD ACCESSORY** (to be purchased separately).



LINEA 3000 entrance panel

The **NEW** entrance panels range dedicated to **VILLA STANDARD**

HIGH LEVEL APPLICATIONS

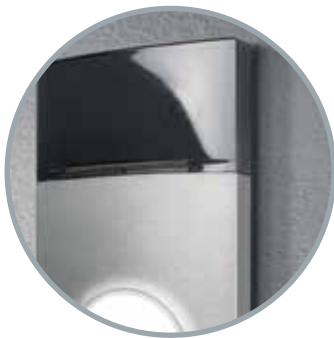


branded
quality



refined
detailing

Modern aesthetics
feeling of quality



floating
effect



hidden
technology



high relevance
on interaction

robustness
Zamak finishes



Weatherproof
(IP 54) protection degree



Robustness
(IK 10) protection degree

Unique DESIGN and robust PERCEPTION

Same look and ergonomics for all available versions:



LINEA 3000 video
with door lock
release badge

343091



LINEA 3000
video

343081



LINEA 3000
audio

343071

Advanced FUNCTIONS

Wide angle camera

Horizontal and vertical wide viewing field. Easy to use for children and differently-abled People.



Door lock release

Door lock release with coloured badges or clear discs. Additional safe and comfort for all the residents.



LINEA 3000

CATALOGUE



343091



343081



343071



348260



348261

| Item | LINEA 3000 VIDEO ENTRANCE PANEL WITH PROXIMITY READER |
|--------|--|
| 343091 | Wall mounted 2-Wires video pushbutton panel with Zamak front cover, wide angle colour camera and proximity reader. Fitted with white LED for the lighting of the shooting field in low light conditions. Can be set up for one or two family installation. It provides the possibility of opening an electrical door lock connected directly to clamps S+ and S- (18 V 4 A impulsive, 250 mA holding current, 30 ohm max). Can manage a maximum of 20 badges (125 KHz) for electrical door opening (master system badge included). White LED backlit name plate. Protection degree IP54 – protection against mechanical impact IK10. Supplied 1 set of door opening badges made up of : 6 coloured badges and 2 clear discs. |

| Item | DOOR LOCK RELEASE BADGE |
|--------|--|
| 348260 | Set made up of 6 coloured badges which can be programmed to open the door |
| 348261 | Set made up of 2 programmable clear discs which can be programmed to open the door |

| Item | LINEA 3000 VIDEO ENTRANCE PANEL |
|--------|--|
| 343081 | Wall mounted 2-Wires video pushbutton panel with Zamak front cover and wide angle colour camera. Fitted with white LED for the lighting of the shooting field in low light conditions. Can be set up for one or two family installation. It provides the possibility of opening an electrical door lock connected directly to clamps S+ and S- (18 V 4 A impulsive, 250 mA holding current, 30 ohm max). White LED backlit name plate. Protection degree IP54 – protection against mechanical impact IK10. |

| Item | LINEA 3000 AUDIO ENTRANCE PANEL |
|--------|---|
| 343071 | Wall mounted 2-Wires pushbutton panel with Zamak front cover. Can be set up for one or two family installation. It provides the possibility of opening an electrical door lock connected directly to clamps S+ and S- (18 V 4 A impulsive, 250 mA holding current, 30 ohm max). White LED backlit name plate. Protection degree IP54 – protection against mechanical impact IK10. |



343051



343061



350020

| Item | LINEA 3000 RAINSHIELD ACCESSORY |
|--------|--|
| 343051 | Rainshield roof accessory for Linea 3000 (343071 - 343081 - 343091) entrance panels. To be purchased separately. |

| Item | LINEA 3000 FLUSH MOUNTING ACCESSORY + PLASTIC BOX |
|--------|--|
| 343061 | Flush mounting frame accessory for Linea 3000 (343071 - 343081 - 343091) entrance panel. To be purchased separately. |
| 350020 | Plastic box suitable for the flush mounting installation of Linea 3000 entrance panels (343071 - 343081 - 343091) together with the specific frame accessory 343061. To be purchased separately. |



LINEA 3000

PROFESSIONAL KITS

Maximum simplicity

The 2 Wires professional kits guarantee maximum simplicity and flexibility of installation. They are the ideal solution for making new systems and in renovations. Both audio and video systems require only 2 WIRES for the

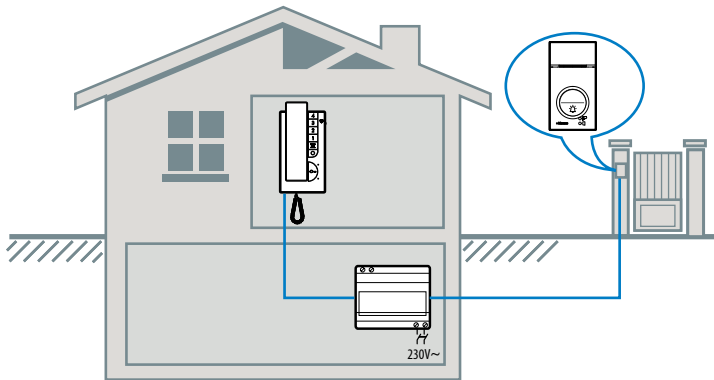
installation, so that existing wires can be used in the renovations. There is no need to respect polarity in the connections, giving maximum simplification in the installation work.



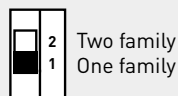
AUDIO KIT



LINEA 3000 ONE FAMILY AUDIO KIT – INSTALLATION EXAMPLE



ONE FAMILY AUDIO KIT 361311



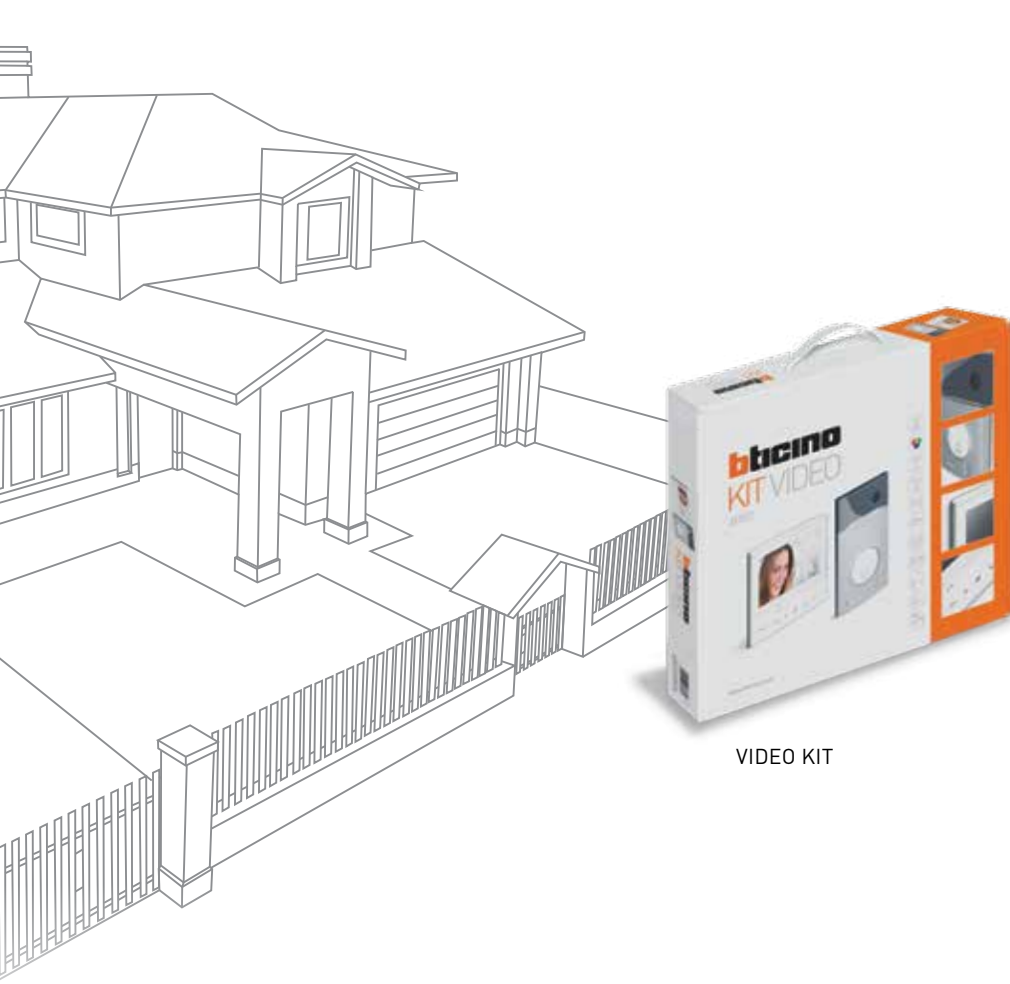
LINEA 3000 ENTRANCE PANEL



POWER SUPPLY



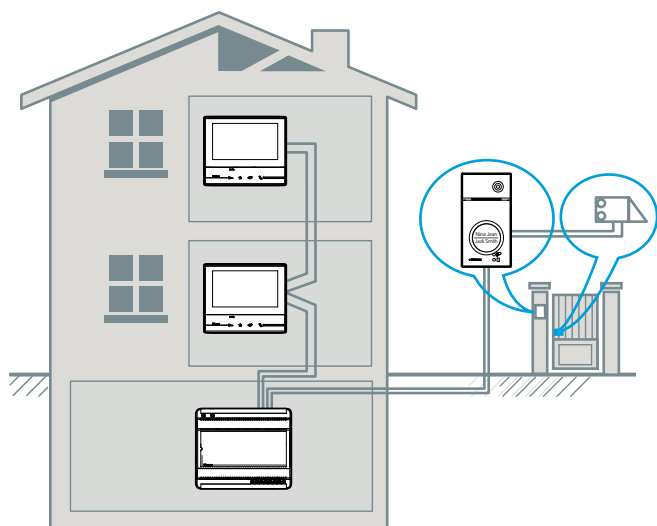
CLASSE 100 AUDIO INTERNAL UNIT



VIDEO KIT

The 2 Wires kits are completely expandable and adapt to all installation needs. They are perfectly compatible with the 2 devices (external pushbutton panels, internal units, video internal units, system accessories and cameras), allowing expansion without compromises.

LINEA 3000 TWO FAMILY VIDEO KIT – INSTALLATION EXAMPLE

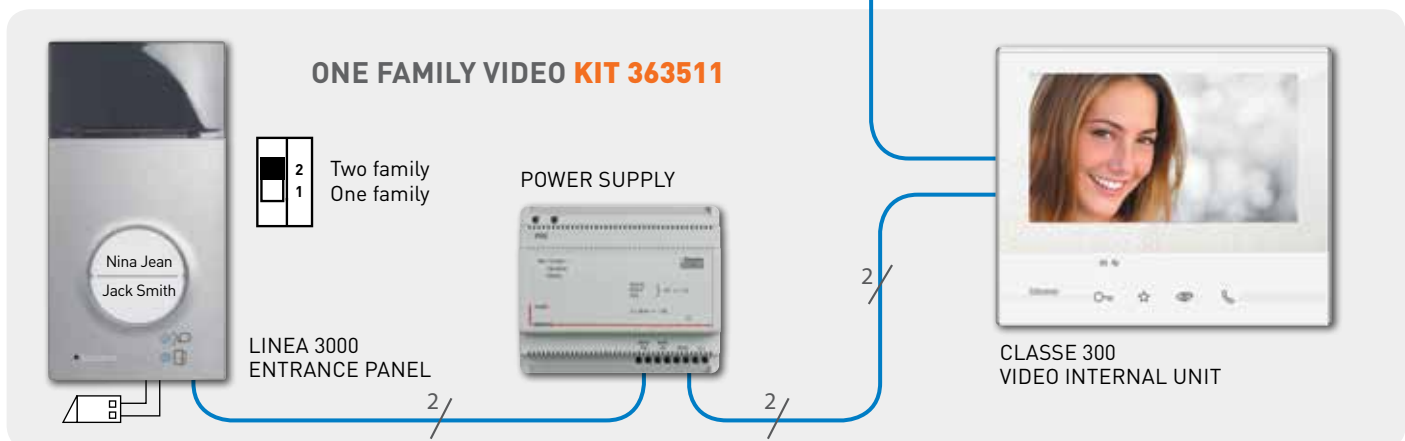


ADDITIONAL INTERNAL UNIT 344612



CLASSE 300 VIDEO INTERNAL UNIT

2/



ONE FAMILY VIDEO KIT 363511

Two family
One family

LINEA 3000 ENTRANCE PANEL

POWER SUPPLY



CLASSE 300 VIDEO INTERNAL UNIT

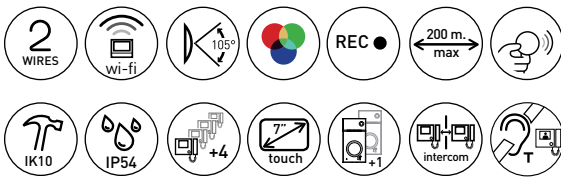
2/

LINEA 3000

VILLA VIDEO KITS



363911



Item

CLASSE 300X13E – LINEA 3000 HANDS-FREE VIDEO KIT WITH CALL REDIRECTION ON SMARTPHONE AND DOOR LOCK RELEASE KEY CARDS

363911

One-family handsfree kit with: Classe 300X13E video internal unit in light finish with Wi-Fi, handsfree, Inductive Loop, 7" Touch screen LCD display and video door entry answering machine with call audio/video memory; LINEA 3000 pushbutton panel with zamak front cover, wide angle colour camera and proximity reader and with a kit of coloured key cards and two door lock release clear discs. Can be configured for one-family or two-family installations. It can manage a maximum of 20 key cards (125 KHz) for the electric door lock release (including the one for the system management). Nameplate lit by white LED. Can be wall or flush installed with specific accessories: (350020) flush mounted box with (343061) flush mounted accessory - to be purchased separately. Can be fitted with rainshield (343051) - to be purchased separately. The pushbutton panel has a protection index IP54 - protection index against mechanical impact IK10. Thanks to the Wi-Fi connectivity integrated in the video internal unit, it is possible to associate the device to the Door Entry App (available for Android and iOS). You can manage the main video internal unit functions (receiving calls, opening the door lock, activating the entrance panel/cycling and extra activations). The video internal unit has call audio/video memory and Inductive Loop function (to enable use by people wearing hearing aids fitted with T selector). It has capacitive keys for the control of the main video door entry functions: door lock release, handsfree connection, activation of entrance panel/camera scrolling and Favorite key (can be configured to activate the quick actions most frequently used - eg: staircase lights control, Intercom, additional activations). Access to configuration, adjustments and functions using the touch display with graphic interface. Wall-mounting or table-top installation with specific support (344632) - to be purchased separately.



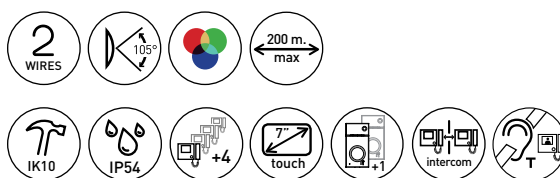
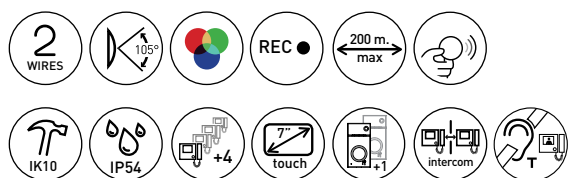
DOOR ENTRY is the App which lets you, using your smartphone, manage the video internal unit calls locally and remotely or with a simple touch open the gate, activate the cameras and switch the garden timed lights on. Configuring the App needs just a few steps and, thanks to the BTicino Cloud, the remote connection is totally automated and managed with the maximum level of security.



363611



363511



Item

CLASSE 300V13M – LINEA 3000 HANDS-FREE VIDEO KIT WITH DOOR LOCK RELEASE KEY CARDS

363611 One-family handsfree kit with: Classe 300V13M video internal unit in light finish with, handsfree, Inductive Loop, 7" Touch screen LCD display and video door entry answering machine with call audio/video memory; LINEA 3000 pushbutton panel with zamak front cover, wide angle colour camera and proximity reader and with a kit of coloured key cards and two door lock release clear discs. Can be configured for one-family or two-family installations. It can manage a maximum of 20 key cards (125 KHz) for the electric door lock release (including the one for the system management). Nameplate lit by white LED. Can be wall or flush installed with specific accessories: (350020) flush mounted box with (343061) flush mounted accessory - to be purchased separately. Can be fitted with rainshield (343051) - to be purchased separately. The pushbutton panel has a protection index IP54 - protection index against mechanical impact IK10. The video internal unit has call audio/video memory and Inductive Loop function (to enable use by people wearing hearing aids fitted with T selector). It has capacitive keys for the control of the main video door entry functions: door lock release, handsfree connection, activation of entrance panel/camera scrolling and Favorite key (can be configured to activate the quick actions most frequently used - eg: staircase lights control, Intercom, additional activations). Access to configuration, adjustments and functions using the touch display with graphic interface. Wall-mounting or table-top installation with specific support (344632) - to be purchased separately.

Item

CLASSE 300V13E – LINEA 3000 HANDS-FREE VIDEO KIT

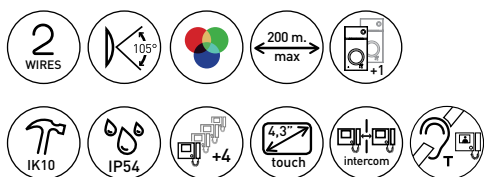
363511 One-family handsfree kit with: Classe 300V13E video internal unit in light finish with handsfree, Inductive Loop and 7" Touch screen LCD display; LINEA 3000 pushbutton panel with zamak front cover, wide angle colour camera. Can be configured for one-family or two-family installations. Nameplate lit by white LED. Can be wall or flush installed with specific accessories: (350020) flush mounted box with (343061) flush mounted accessory - to be purchased separately. Can be fitted with rainshield (343051) - to be purchased separately. The pushbutton panel has a protection index IP54 - protection index against mechanical impact IK10. You can manage the main video internal unit functions (receiving calls, opening the door lock, activating the entrance panel/cycling and extra activations). The video internal unit has Inductive Loop function (to enable use by people wearing hearing aids fitted with T selector). It has capacitive keys for the control of the main video door entry functions: door lock release, handsfree connection, activation of entrance panel/camera scrolling and Favorite key (can be configured to activate the quick actions most frequently used - eg: staircase lights control, Intercom, additional activations). Access to configuration, adjustments and functions using the touch display with graphic interface. Wall-mounting or table-top installation with specific support (344632) - to be purchased separately.

LINEA 3000

VILLA VIDEO KITS



363411



Item

CLASSE 100V12E - LINEA 3000 HANDS-FREE VIDEO KIT

363411

One-family handsfree kit with Classe 100V12E handsfree video internal unit and LINEA 3000 pushbutton panel with zamak front cover and wide angle colour camera. Can be configured for one-family or two-family installations. Nameplate lit by white LED. Can be wall or flush installed with specific accessories: (350020) flush mounted box with (343061) flush mounted accessory - to be purchased separately. Can be fitted with rainshield (343051) - to be purchased separately. The pushbutton panel has a protection index IP54 - protection index against mechanical impact IK10.

The video internal unit has 4.3" LCD display and Inductive Loop function (to enable use by people wearing hearing aids fitted with T selector).

It has keys for: door lock release, handsfree connection, staircase lights control and entrance panel/camera scrolling activation. It also has 4 keys (1 - 2 - 3 - 4) that can be programmed through configuration for the management of additional functions.

It is preset for different types of installations, based on the mechanical accessories used - to be purchased separately.

VILLA AUDIO KITS



361511



361311



Item **CLASSE 100A12B – LINEA 3000 HANDS-FREE AUDIO KIT**

361511 One-family handsfree kit with Classe 100A12B handsfree audio internal unit and LINEA 3000 pushbutton panel with zamak front cover. Can be configured for one-family or two-family installations. Nameplate lit by white LED. Can be wall or flush installed with specific accessories: (350020) flush mounted box with (343061) flush mounted accessory - to be purchased separately. Can be fitted with rainshield (343051) - to be purchased separately. The pushbutton panel has a protection index IP54 - protection index against mechanical impact IK10.

The internal unit has keys for: door lock release, handsfree connection, staircase lights control and entrance panel/scrolling activation. Independent adjustment for: bell volume (with call exclusion) and loudspeaker volume.

Wall mounted installation with the bracket supplied or table-top installation with support 344552 - to be purchased separately.

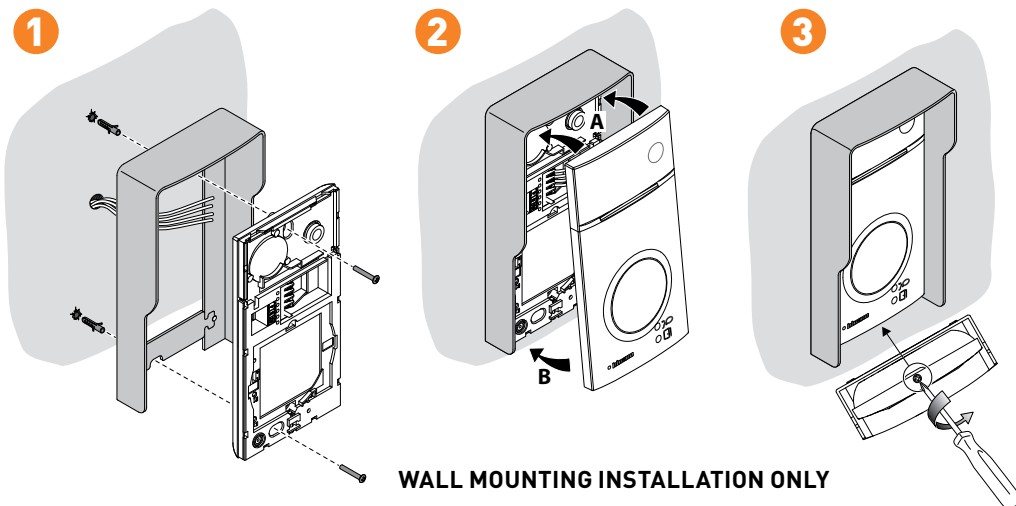
Item **CLASSE 100A12M – LINEA 3000 HANDSET AUDIO KIT**

361311 One-family audio kit with Classe 100A12M audio internal unit and LINEA 3000 pushbutton panel with zamak front cover. Can be configured for one-family or two-family installations. Nameplate lit by white LED. Can be wall or flush installed with specific accessories: (350020) flush mounted box with (343061) flush mounted accessory - to be purchased separately. Can be fitted with rainshield (343051) - to be purchased separately. The pushbutton panel has a protection index IP54 - protection index against mechanical impact IK10.

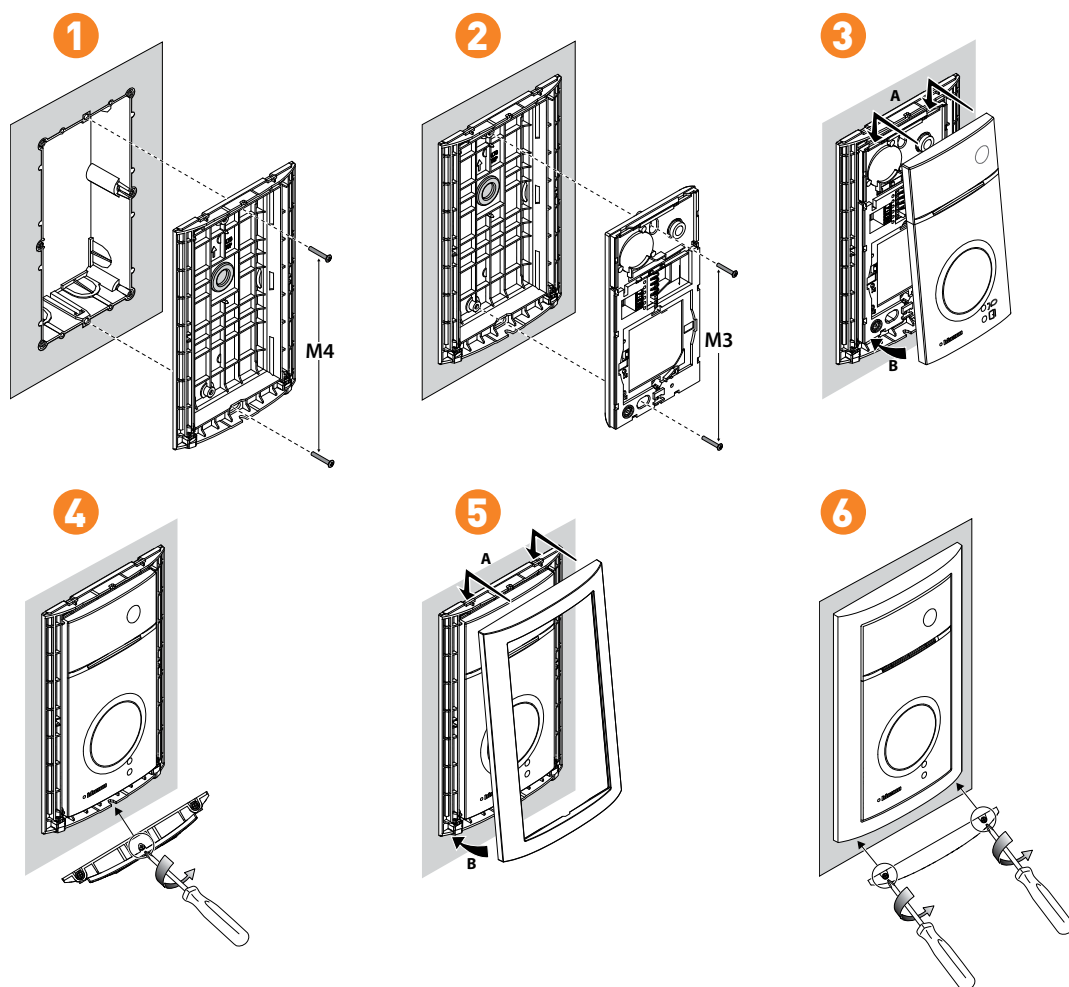
LINEA 3000

ACCESSORIES INSTALLATION

343051 Rainshield accessory installation



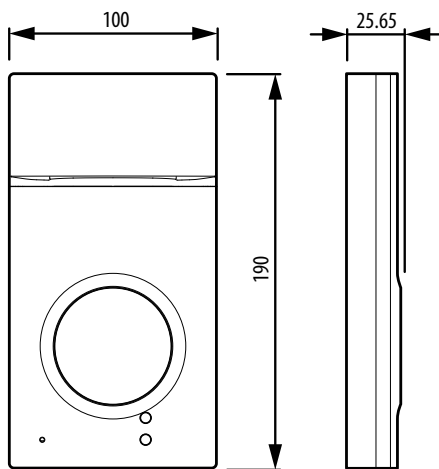
343061 Flush mounting accessory installation



Compatibility with Tersystem and Sfera 2 modules flush mounting box.

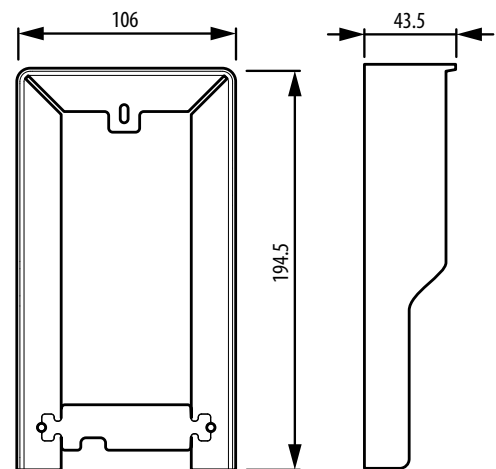
DIMENSIONAL DATA

ENTRANCE PANELS



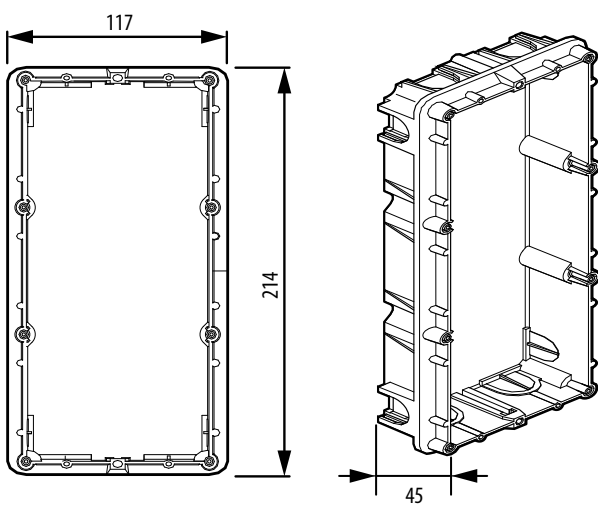
343071 - 343081 - 343091

RAINSHIELD ACCESSORY



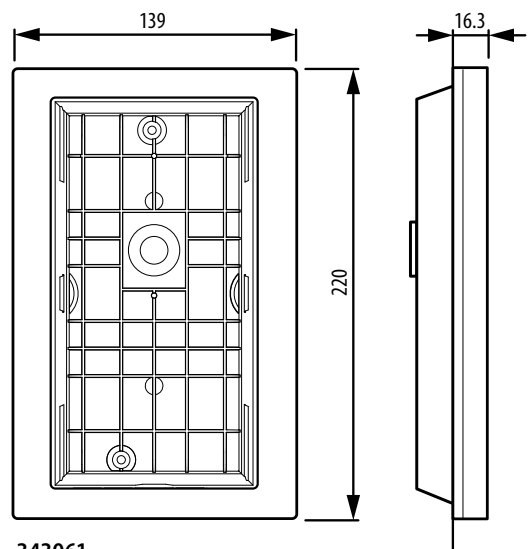
343051

FLUSH MOUNTING BOX



350020

FLUSH MOUNTING ACCESSORY



343061

Note : dimensions in mm.

NO MASONRY WORK REQUIRED TO REPLACE THE EXISTING FLUSH MOUNTED BOX

Tersystem and Sfera Classic 2 modules flush mounting boxes are compatible with Linea 3000.



BTicino SpA
Viale Borri, 231
21100 Varese - Italy
www.bticino.com

A Group Brand |  **legrand**

bticino

BTicino SpA reserves at any time the right to modify the contents of this booklet and to communicate, in any form and modality, the changes brought to the same.

AD-EXCM16PE3000C/GB - Edition 09/2016