

PSM4-40/400 TT

77707806

Surge Protection Device, Type 2, 4 poles, 3 phase WYE, 40kA(8/20),230V TT, earthing system.



Scan this QR code and see the full range



[Link to the product page](#)

Technical Data	Value	Units
Commercial data		
Code	77707806	
Part Number	PSM4-40/400 TT	
Status	Available	
EAN	8435297827221	
Tariff code (HS)	8536.30.90	
Dimensions		
Product height	90	[mm]
Product width	72	[mm]
Product length	70	[mm]
Product weight	388	[gr]
General data		
Internal configuration	3P+N	
No. poles	4	
No. DIN rail modules	4	
Installation	(L1-L2-L3-N-PE)	
Format	Pluggable	
Network configuration	TT, TNS	
Certifications	CE; RCM; UL 1449	
Designation according to EN 61643-11	Type 2	
Designation according to IEC 61643-11	Class II	
Insulating material & flammability class	PA66 CT1; V-0	
Enclosure	IP 20	
Temperature range	-40 °C ... +85 °C	
Technical features		

Supply voltage		230 / 400 [V]	
Nominal voltage AC 50-60 Hz (L-N)	Un (L-N)	230	[V]
Nominal voltage AC 50-60 Hz (L-L)	Un (L-L)	400	[V]
Maximum continuous operating voltage (L-N)	Uc (L-N)	275	[V]
Maximum continuous operating voltage (N-PE)	Uc (N-PE)	265	[V]
Maximum discharge current (8/20) (L-N)	Imax (L-N)	40	[kA]
Nominal discharge current (8/20) (L-N)	In (L-N)	20	[kA]
Nominal discharge current (8/20)	In	20	[kA]
Voltage protection level (L-N) at In	Up (L-N)	1,3	[kV]
Voltage protection level (N-PE) at In	Up (N-PE)	1,5	[kV]
Maximum back-up fuse		125	A [gL]
Short circuit withstand	Isc cr	25	[kA]
Response time (L-N)	tA (L-N)	25	[ns]
Response time (N-PE)	tA (N-PE)	100	[ns]
Following current (N-PE)	I _{fi}	100	[A]
Remote indication		No	
Visual end of life indication		Yes	
Dynamic thermal disconnection (L-N)		Yes	

UL Technical features

File UL		E360120	
SPD UL Type		2CA	
Power distribution system		3Y	
Maximum continuous operating voltage (L-N)	MCOV (L-N)	275	[V]
Maximum continuous operating voltage (L-L)	MCOV (L-L)	550	[V]
Maximum continuous operating voltage (L-G)	MCOV (L-G)	275	[V]
Maximum continuous operating voltage (N-G)	MCOV (N-G)	277	[V]
Nominal discharge current (UL)	In	20	[kA]
Voltage protection level (L-N) at In	VPR (L-N)	900	[V]
Voltage protection level (L-L) at In	VPR (L-L)	1800	[V]
Voltage protection level (L-G) at In	VPR (L-G)	1500	[V]
Voltage protection level (N-G) at In	VPR (N-G)	700	[V]
Short circuit current rating	SCCR	85	[kA]

Specification data

PSM4-40/400 TT

3 Phases + Neutral (3+1), modular surge arrester

SPD Type 2 according to EN 61643-11

SPD Class II according to IEC 61643-1

High-capacity varistor technology

Base part with plug-in protection modules

Maximum continuous operating voltage, U_c (L-N / N-PE) : 275 V AC / 265 V AC

Voltage protection level, U_p (L-N / N-PE): ? 1.3 kV / ? 1.5 kV

Nominal discharge current (8/20), I_n (L-N / N-PE): 20 kA / 20kA

Maximum discharge current (8/20), I_{max} (L-N / N-PE): 40 kA / 40kA

Short-circuit withstand capability, I_{sc} : 25 kArms

Following current, I_{fi} (L-N / N-PE): not applicable / 100A

Maximum back up fuse of 125A

End of life visual indication

Dynamic thermal disconnection

Protection module with coding

Multifunctional terminals for connection of conductors and busbars

DIN rail mountable device acc. to EN 60715

Polariser safety system to avoid cartridge replacement errors

Reversible installation

Material PT66 CT1-V0

Width: 4 mod.

Delivery and installation

Manufacturer: Cirprotec

Type: **PSM4-40/400 TT**

Part No.: **77707806**

1 Piece(s).

or equal

Certifications	Value	Units
Certifications	CE; RCM; UL 1449	

Accessories



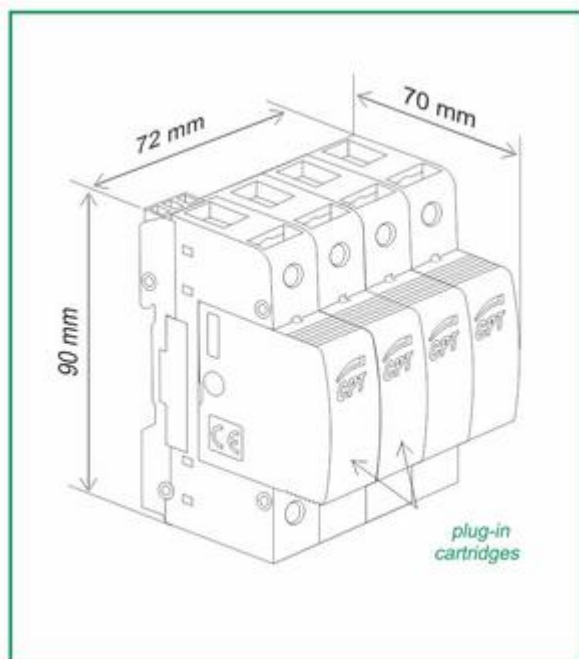
Código	77707654
Referencia	PSM-40/230
Description	Replaceable module, Type 2, Ph, 40A(8/20), 230V



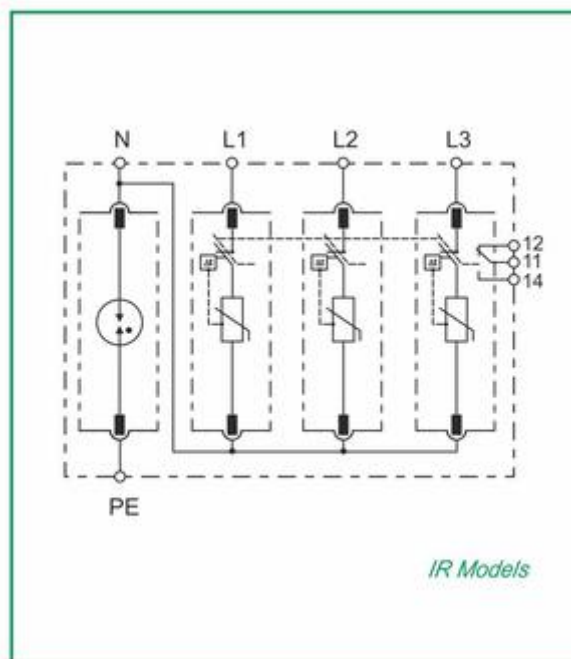
Código	77707664
Referencia	PSM-40N
Description	Replaceable module, Type 2, N-PE, 40kA(8/20)

Wiring diagrams

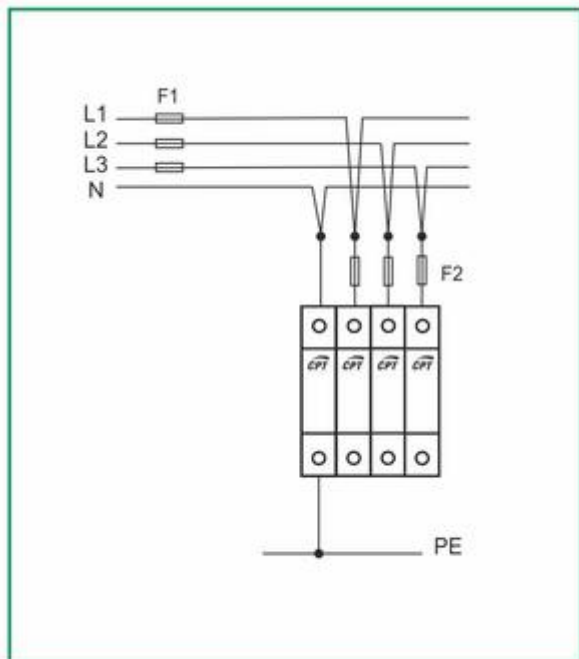
Dimensions



Internal configuration



Wiring diagram



Other images

PSM-POLARIZADOR



PSM-INDICADOR-REMOTA



PSM-CONEXION-BICONNECT



PSM-INDICADOR-ESTADO



PSM-SUSTITUCION-CARTUCHO



Downloads

Install sheet	CPT-FAP-PROTECCION-CONTRA-SOBRETENSIONES-PSM4-40.pdf
Wiring diagram (CAD)	CPT-CAD-PROTECCION-CONTRA-SOBRETENSIONES-PSM4-40-400-TT-77707806.dwg
Wiring diagram (PDF)	CPT-CIP-PROTECCION-CONTRA-SOBRETENSIONES-PSM4-40-400-TT-77707806.pdf
Specification text	CPT-SPC-SURGE-PROTECTION-PSM4-40-400-TT-77707806.txt

Address



Barcelona

Cirprotec, S.L.U.

C/ Lepanto, 49

08223 - Terrassa (Barcelona)

Tel. +34 937 331 684

Fax. +34 93 733 27 64

www.cirprotec.com

Copyright © Cirprotec, S.L.

[Legal Notice](#)