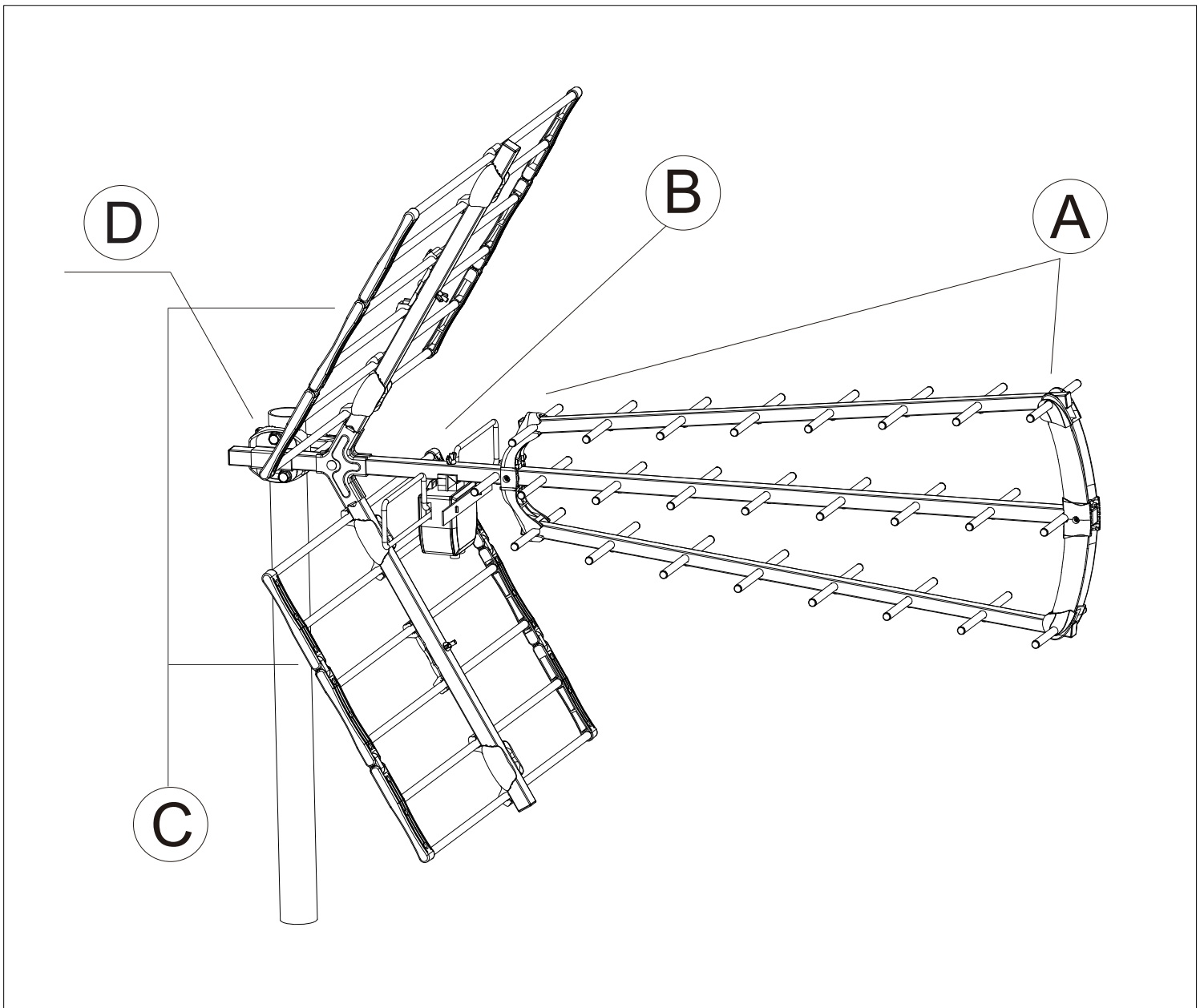


TV Antenna

Technical data:

Frequency	Channel	Impedance	No. of elements	Gain	Front-back ratio	Beam width Honz/vertical	Length
470~694 MHz	21-48	75 Ω	27	10-15dBi	15-25dB	H30° /V 45°	925mm

Antenna connection:



Antenna connection:

