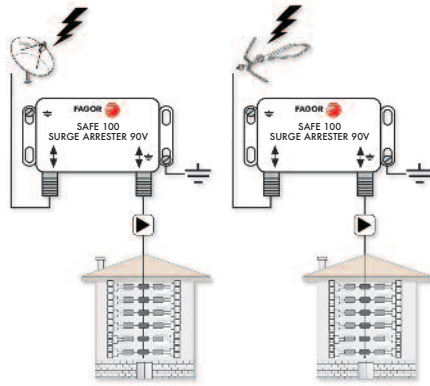


SAFE 100 Series

SURGE ARRESTER 90 V

Surge arrester to protect the installation against atmospheric discharges.



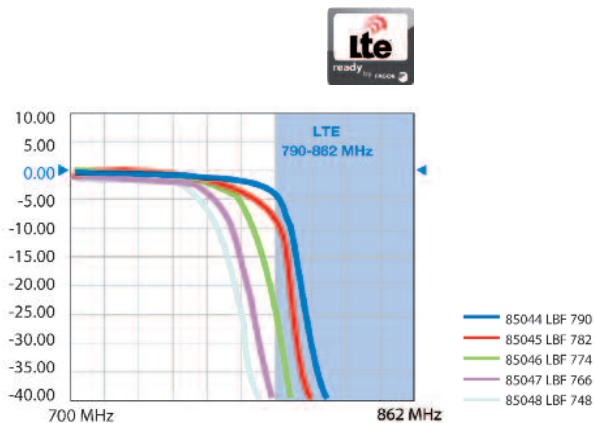
ACCESSORIES

MODEL		SAF E 100
Reference		85040
Frequency band	MHz	0-2150
Insertion Losses	dB	0,5
Return Losses	dB	12
Impedance	Ω	75
Connectors		F (f)
DC spark over voltage @ 100V/s	V	90
Impulse spare-over voltage @1 KV/ μ s		600
Impulse discharge current 10 times	KA	5
Insulation Resistance at 100 Vdc	GOhm	10
DC pass	mA	500

LTE PROTECTION FILTERS

LBF Series

Low pass filters for protection againsts interfering LTE signals.



MODEL	LBF 790	LBF 782	LBF 774	LBF 766	LBF 758
Reference	85044	85045	85046	85047	85048
Pass Band	MHz 5÷790	MHz 5÷782	MHz 5÷774	MHz 5÷766	MHz 5÷758
Rejected Band	MHz 822÷2200	MHz 814÷2200	MHz 806÷2200	MHz 798÷2200	MHz 790÷2200
Rejection	dB ≥ 45				
Through loss	dB $\leq 1,5$				
Return loss	dB ≥ 12				
Type of connector	F(m)-F(f)				