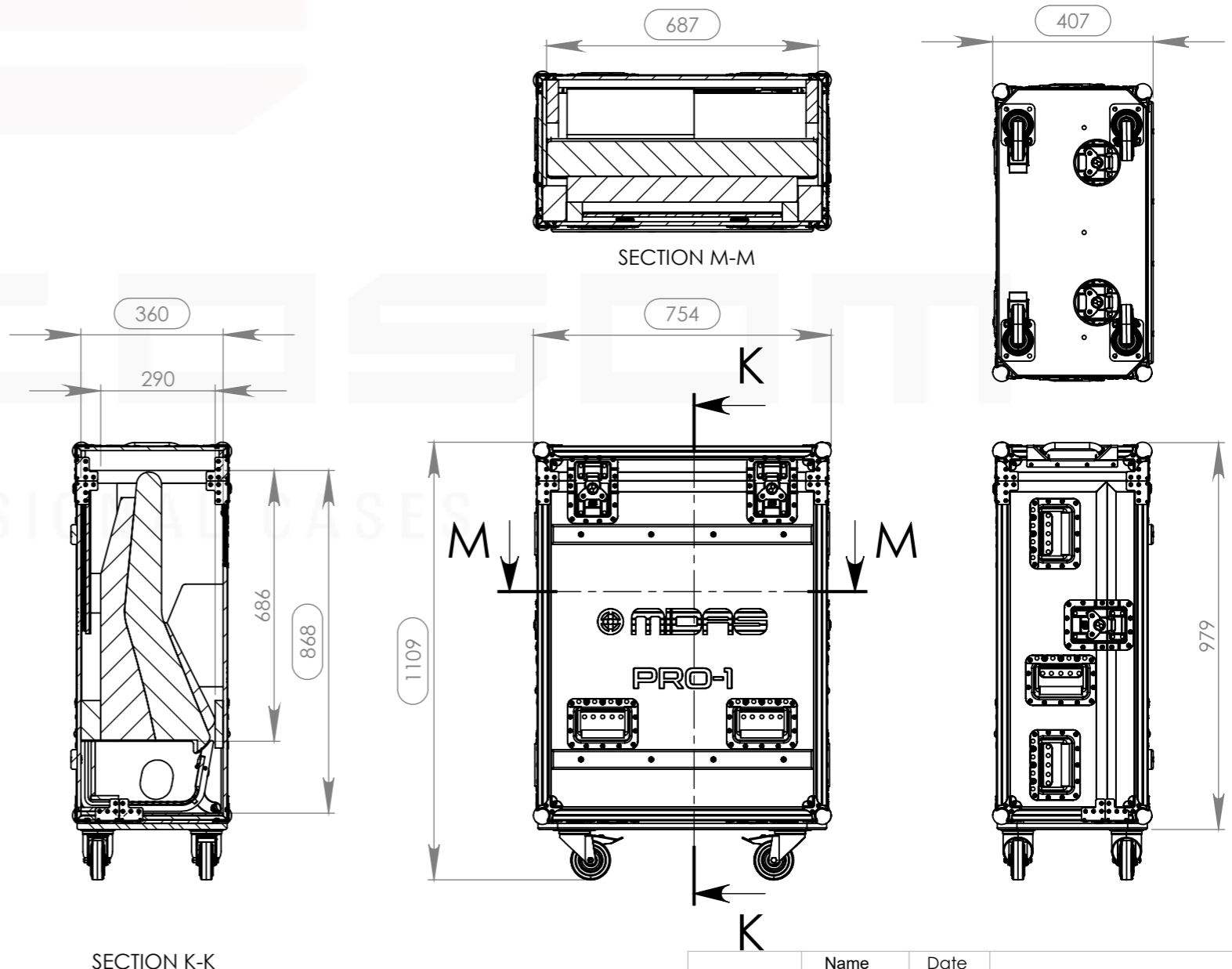
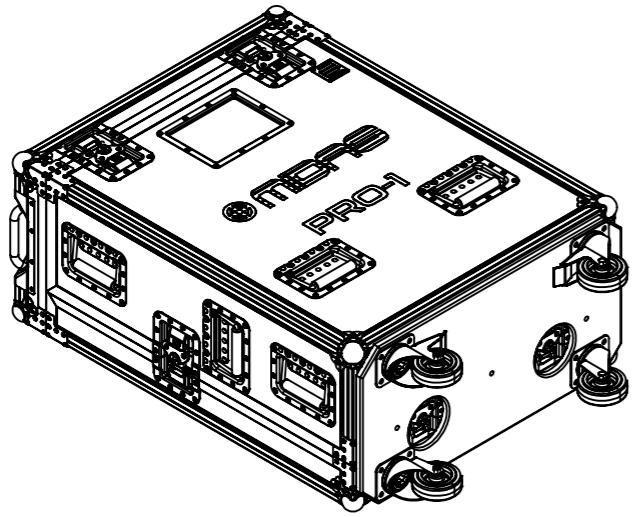
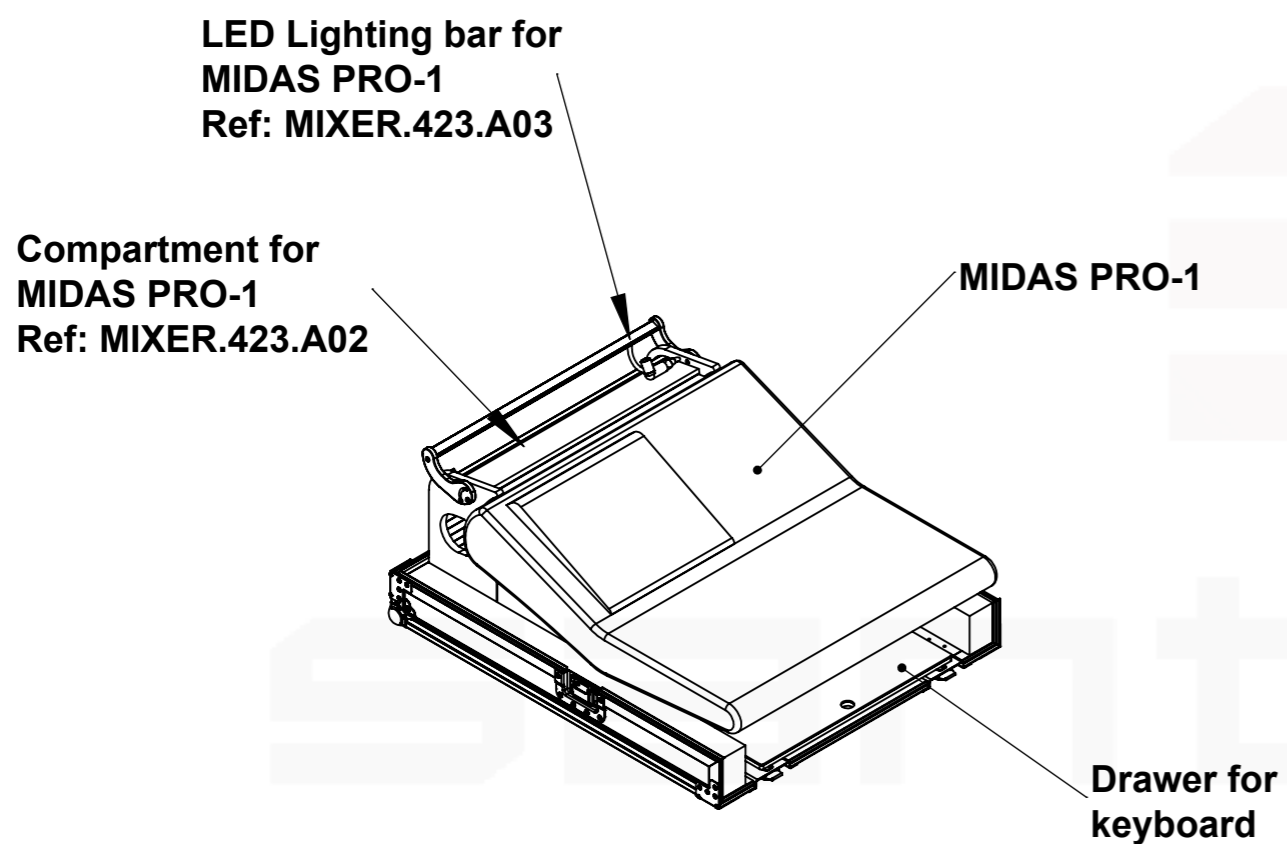


Equipment		
MIDAS PRO-1		
Width	Depth	Height
685	722	287
Internal Dimensions		
Width	Depth	Height
687	868	360
Weight	Approx. 23 Kg	
Wall Thickness	10mm	

Hardware		
Qty	Ref.	Description
6	172511COMP	Large AH butterfly with 'push-back', 14mm dish
10	34085	Large, heavy duty, recessed sprung handle
2	172531	Large butterfly V3 with 'push-back' function
12	STS40403	Large cranked corner brace to suit deep side of locations and 35 mm angles
8	4101	Heavy Duty Ball Corner
2	RODA.100	Swivel castor Ø100 mm
2	RODA.100T	Swivel castor Ø100mm with brake
1	CHAPA.1000	Identification Plate
1	88001D	Dish for 88001 Tour Label
2	34041	Case edge handle



Name	alexandre	
Date	25/08/2016	
Reference	MIXER.423SLED	
Scale	1:14	units in mm
1st Angle projection	DO NOT SCALE	general tolerance 0.8mm
FLIGHTCASE 3P, MIDAS PRO1 COMPART., DRAWER, LED, RODAS		



This drawing must not be copied or disclosed without consent of the owner

A3