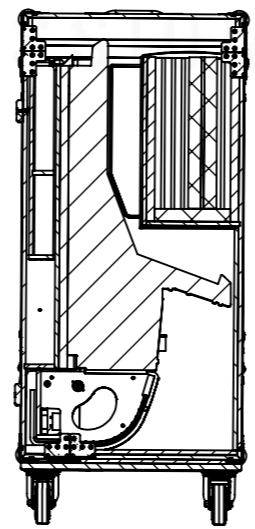
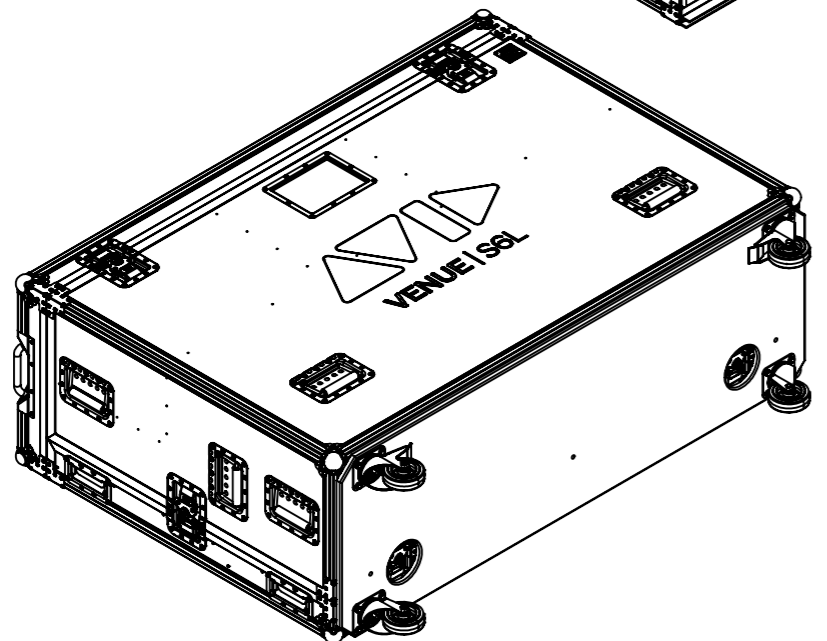
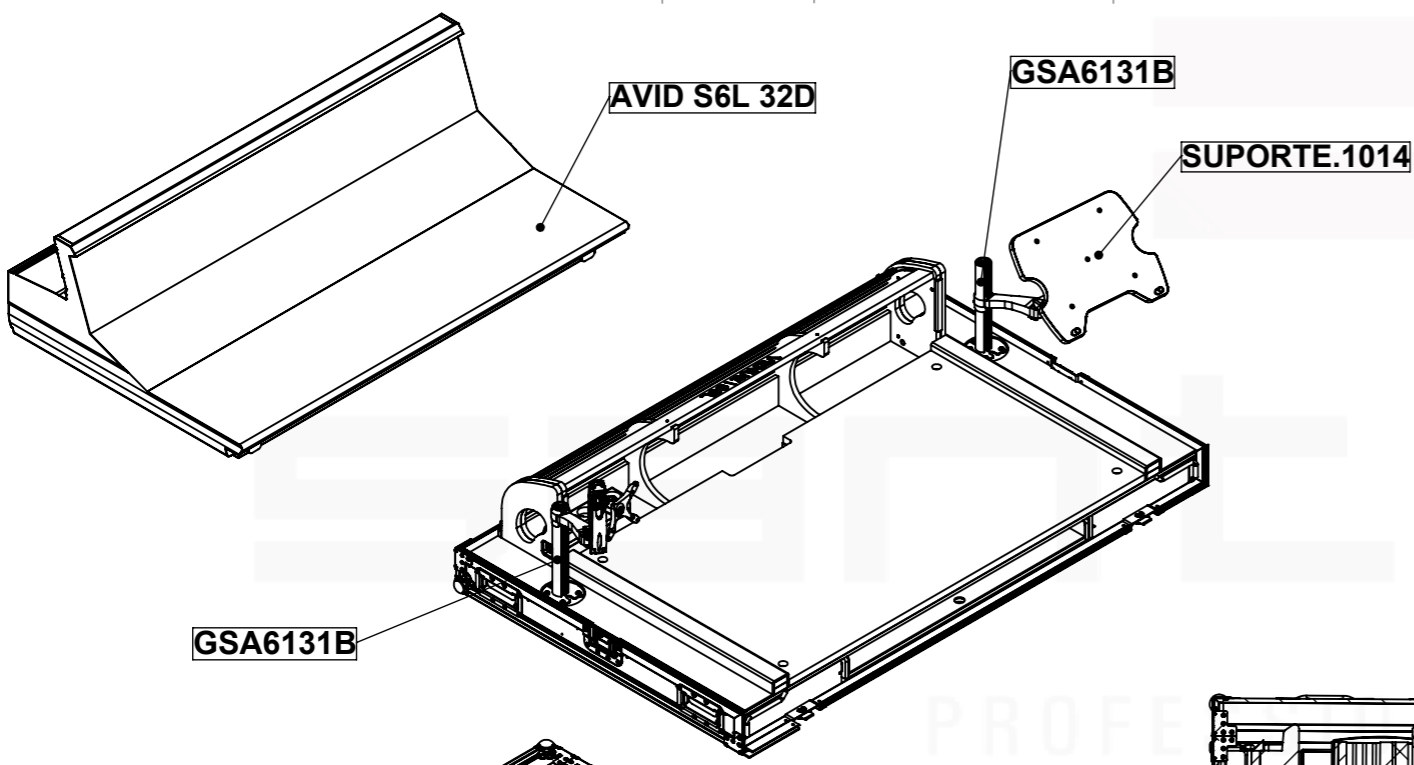
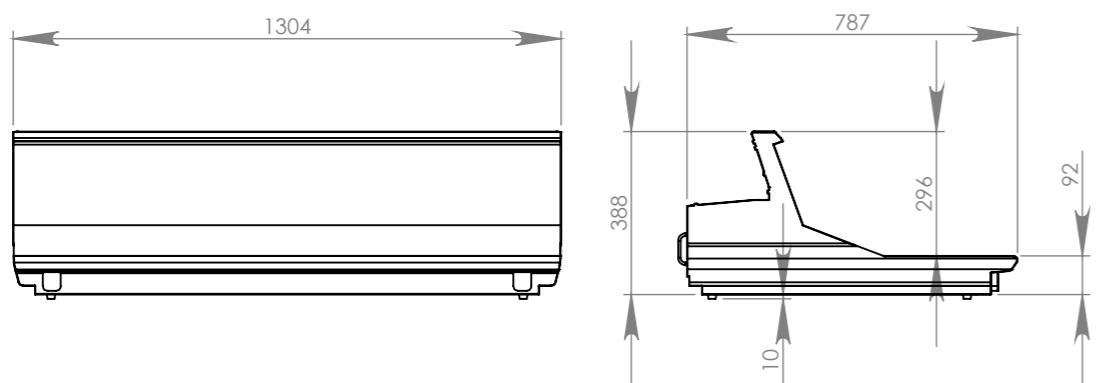


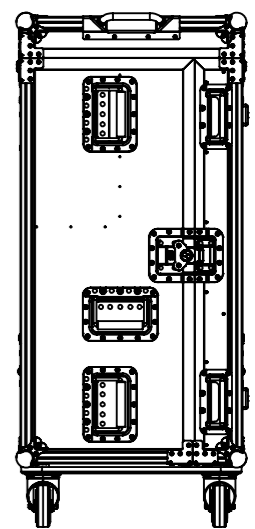
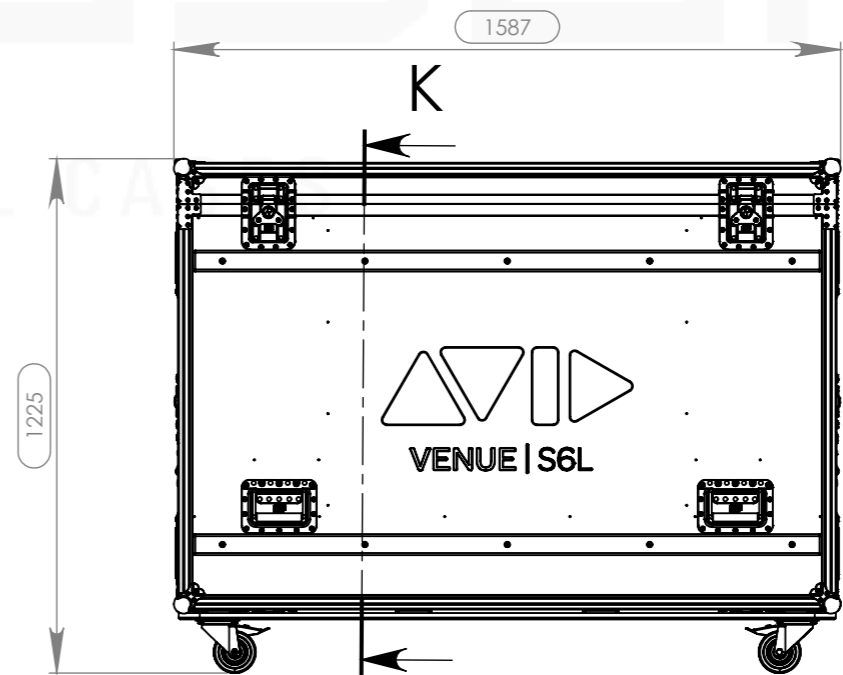
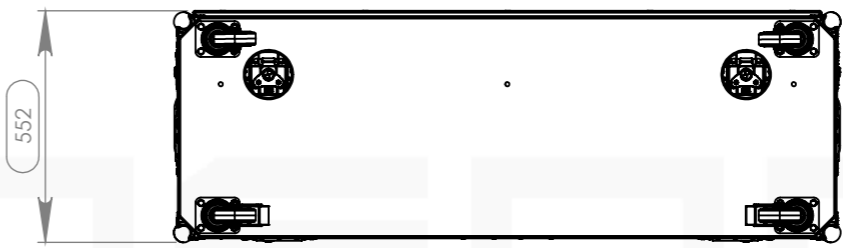
Exterior dimensions

Width	Depth	Height
1587	552	1225
Weight	Approx. 124 Kg	
Wall Thickness	10mm	



SECTION K-K

Hardware		
Qty	Ref.	Description
6	172511COMP	Large AH butterfly with 'push-back', 14mm dish
10	34085	Large, heavy duty, recessed sprung handle
2	172531	Large butterfly V3 with 'push-back' function
12	STS40403	Large cranked corner brace to suit deep side of locations and 35 mm angles
8	410429	Heavy Duty Ball Corner
1	CHAPA.1000	Identification Plate
1	88001D	Dish for 88001 Tour Label
2	34041	Case edge handle
4	340822	Recessed sprung handle - Small
2	RODA.100RT	Swivel castor Ø100 mm
2	RODA.100RT	Swivel castor Ø100mm with brake
2	GSA6131B	Screen mount, Vesa standard: 75 x 75 mm, 100 x 100 mm
1	SUPORTE.1014	Laptop Support



Drawn by	Name	Date
alexandre	alexandre	02-06-2016
Reference	MIXER.613LED	
Scale	units in mm	general tolerance
1:18	DO NOT SCALE	0.8mm
1st Angle projection	FC, Avid Venue S6L-32D, móvel, prat., LED, rodas	



This drawing must not be copied or disclosed without consent of the owner

A3