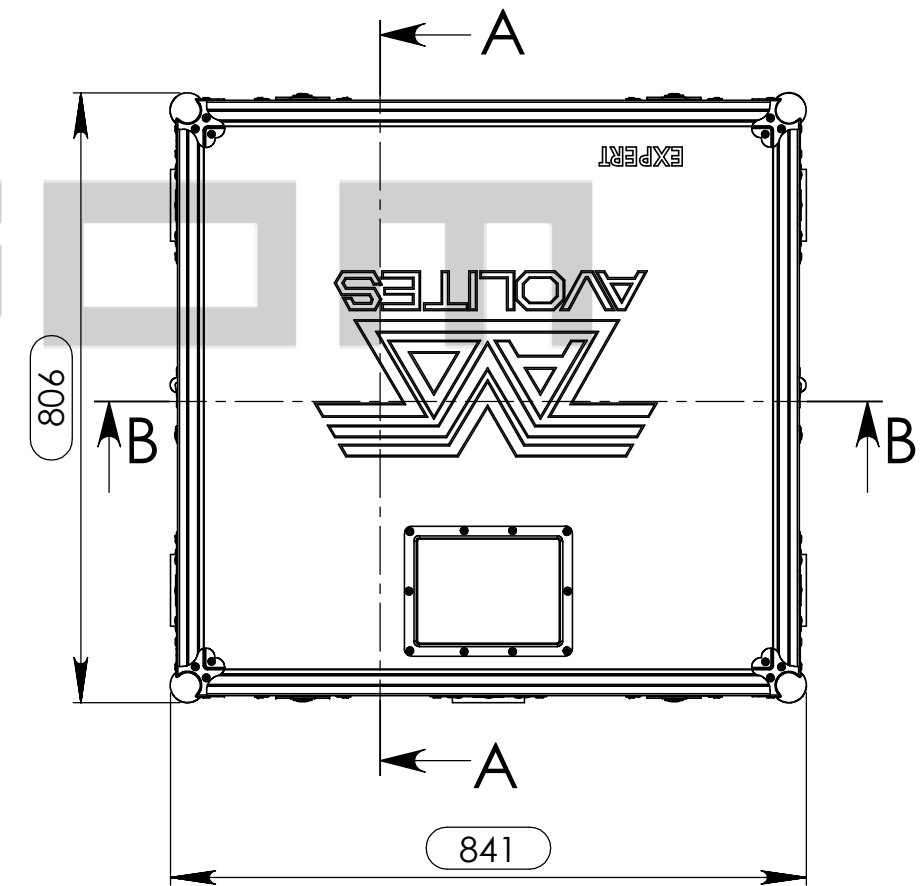
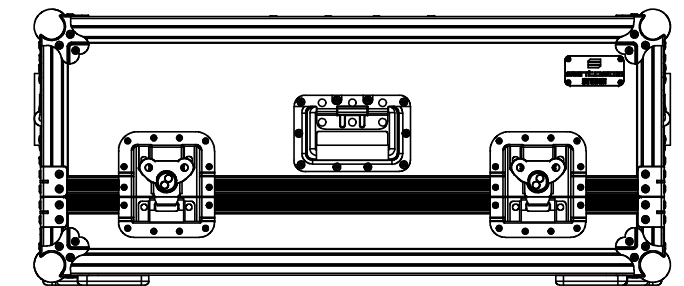
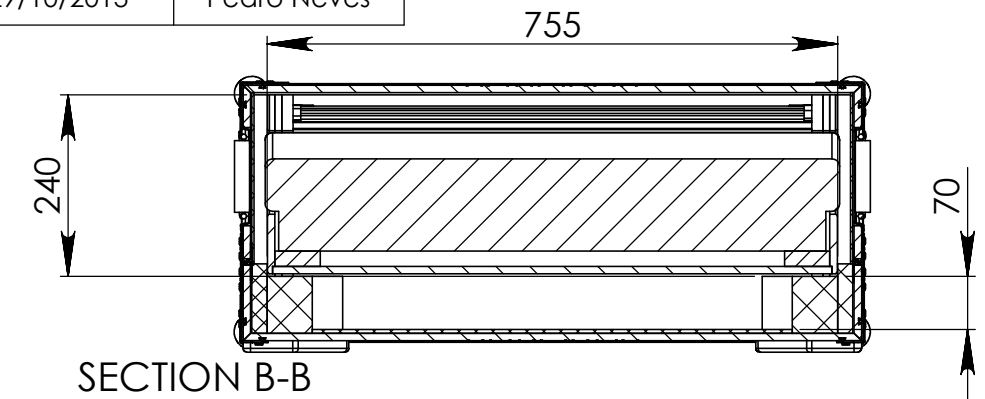
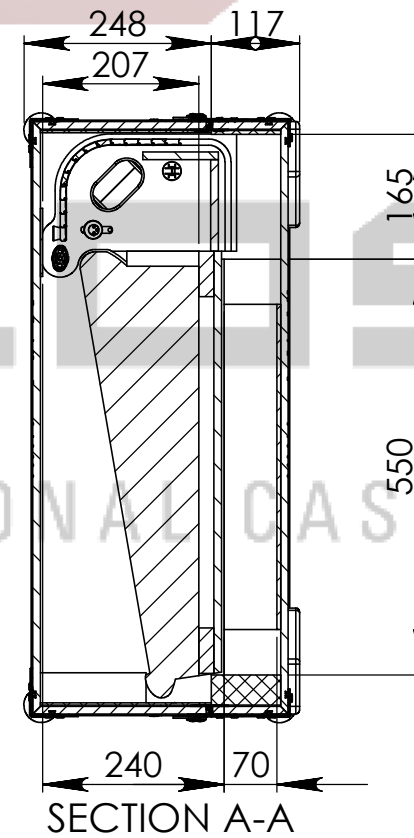
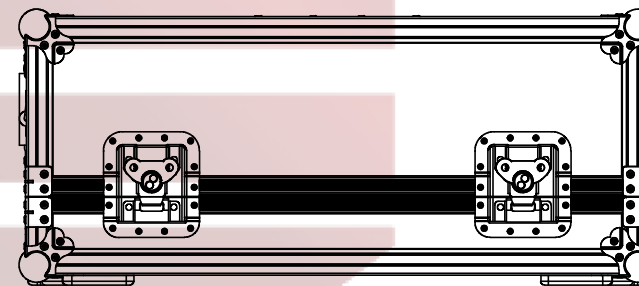
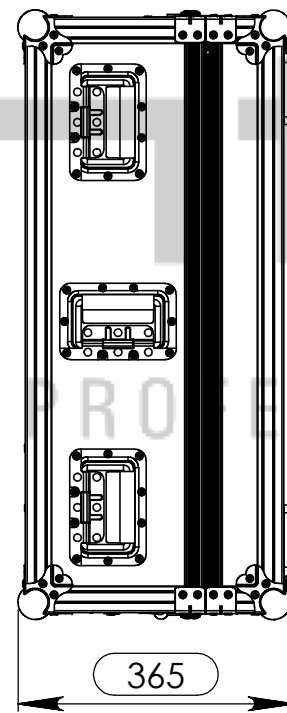
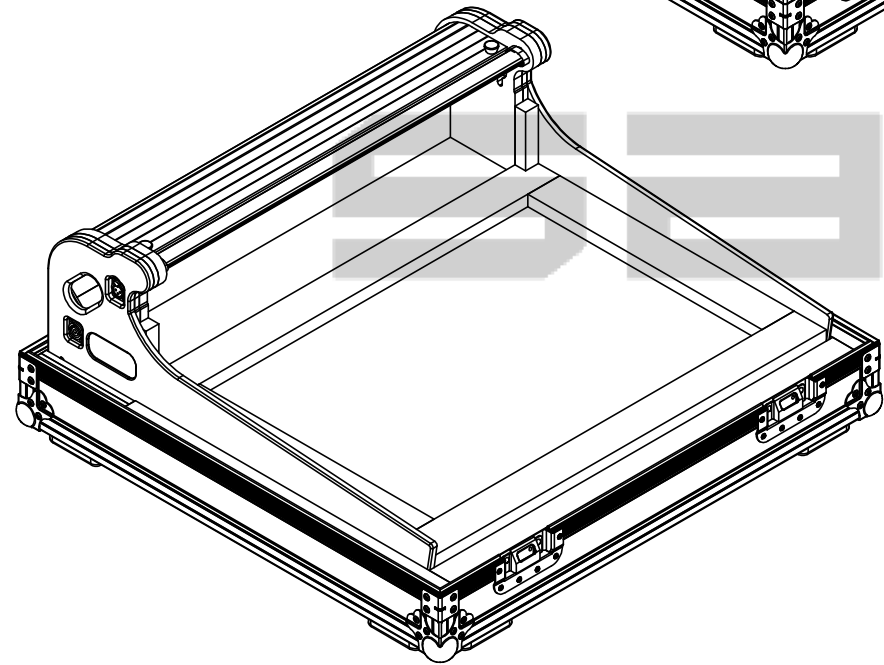
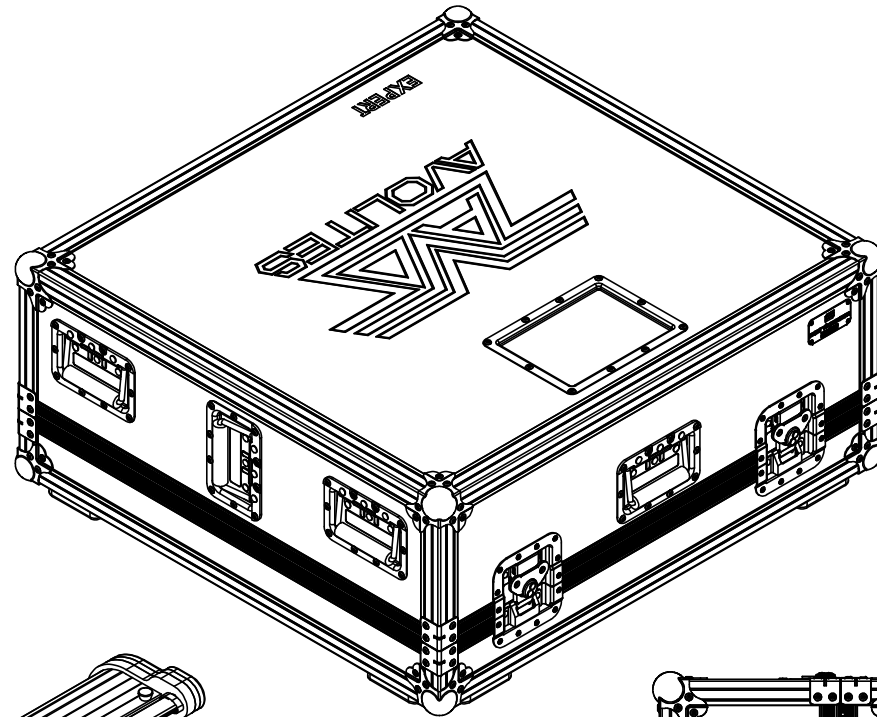


Interior dimensions

Width	Depth	Height
755	710	223
Weight	Approx. 33 Kg	
Wall Thickness	10mm	

Revision Table				
Index	Rev.	Description	Date	Draw
-	0	Final Drawing	07/08/2013	Pedro Neves
-	1	Handle added	29/10/2013	Pedro Neves
-	1	Side pannels reconfigured	29/10/2013	Pedro Neves



Hardware

Qty	Ref.	Description
8	410429	Ball Corner large three-leg cranked 35 mm 9 holes
8	40403	Large corner bracket f. 35mm case angle
1	88001D	Dish for 88001 Tour Label
7	34082	Recessed sprung handle medium model
4	172531	Large butterfly V3 with 'push-back' function in 14mm dish

This drawing must not be copied or disclosed without consent of the owner

Drawn by	Name	Date
pedroneves	pedroneves	29-10-2013
Reference	LMIXER.105AL	
Scale	units in mm	general tolerance
1:10	DO NOT SCALE	±0.3mm
1st Angle projection	FC, AVOLITES EXPERT MOVEL TRASEIRO, LED LIGHT	

