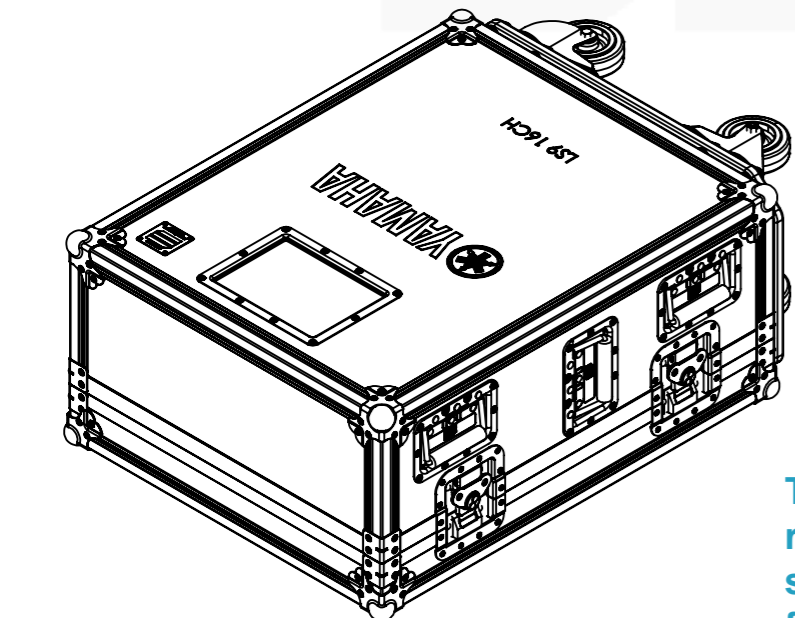
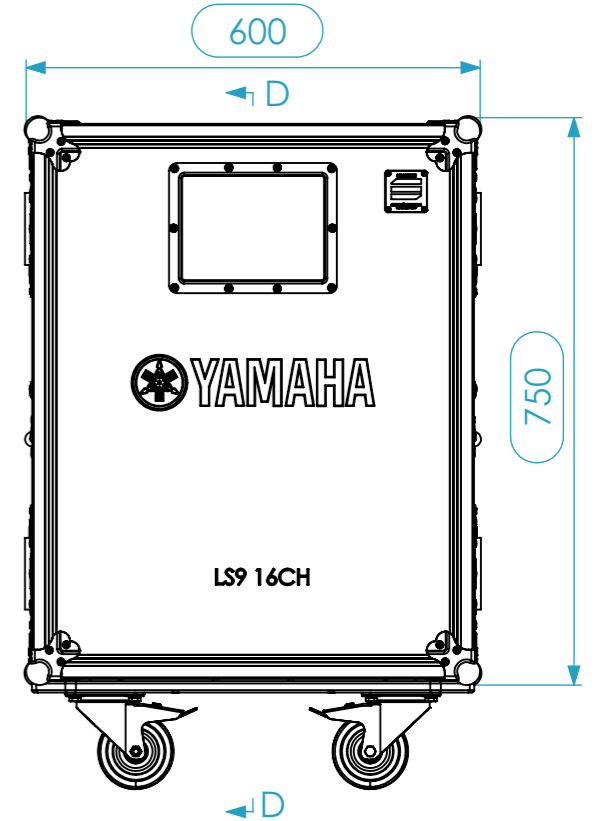
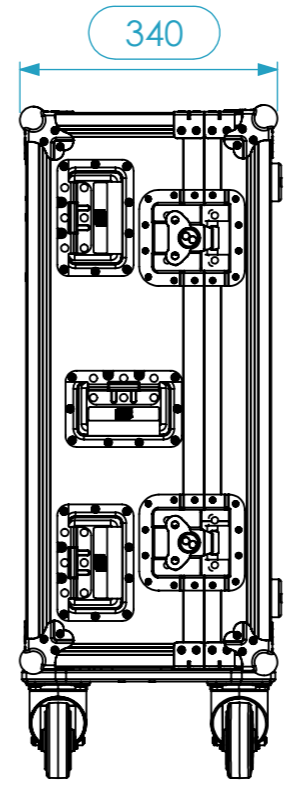
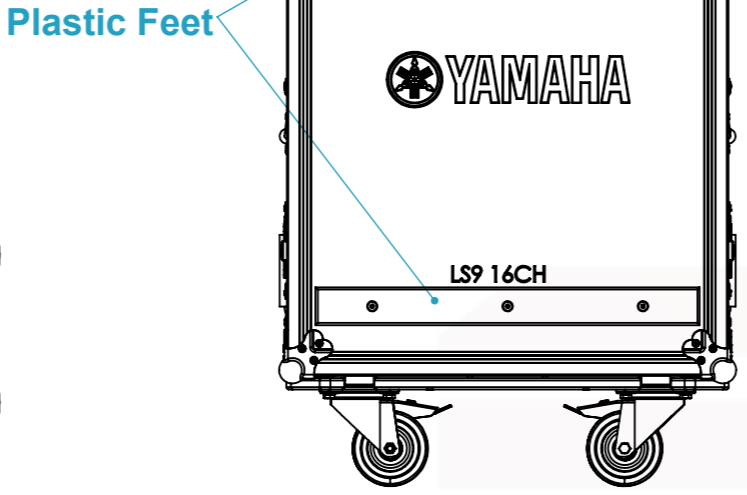
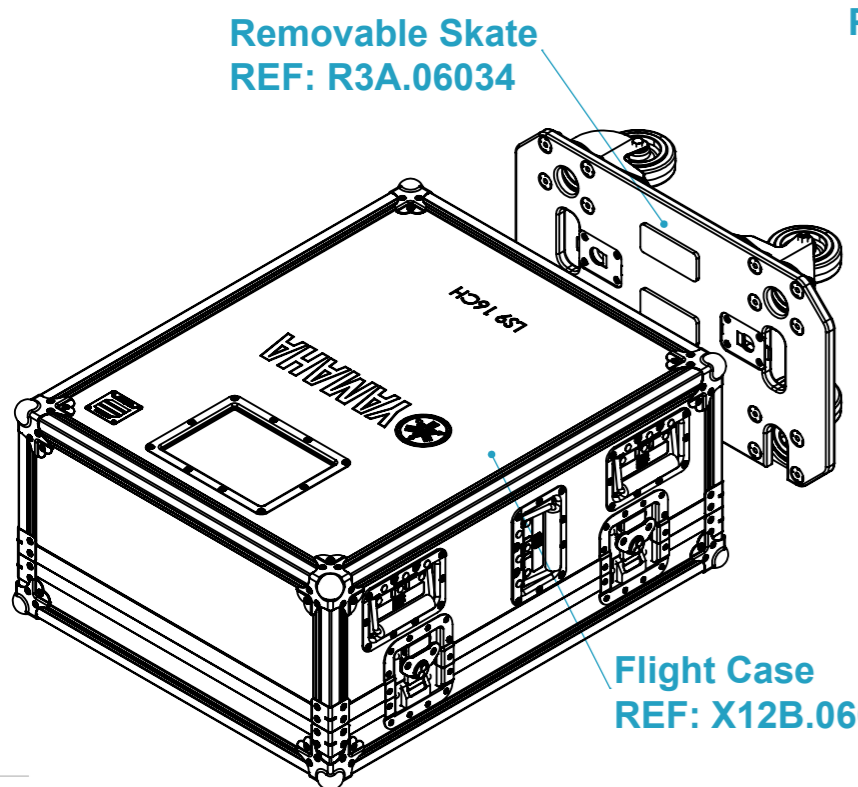
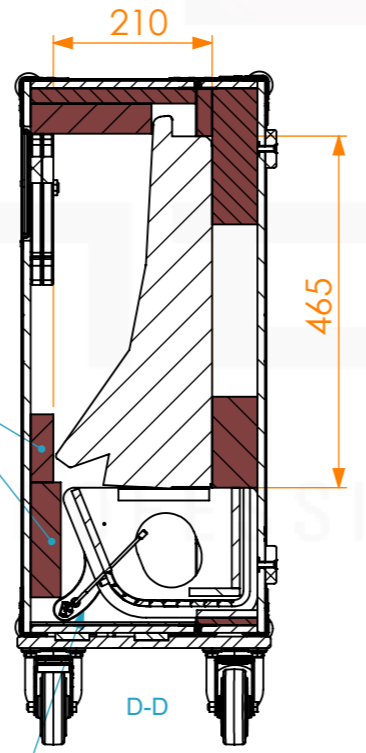


Internal Dimensions		
Width	Depth	Height
511	518	220
Weight	Approx. 29.52 Kg	
Wall Thickness	10mm	



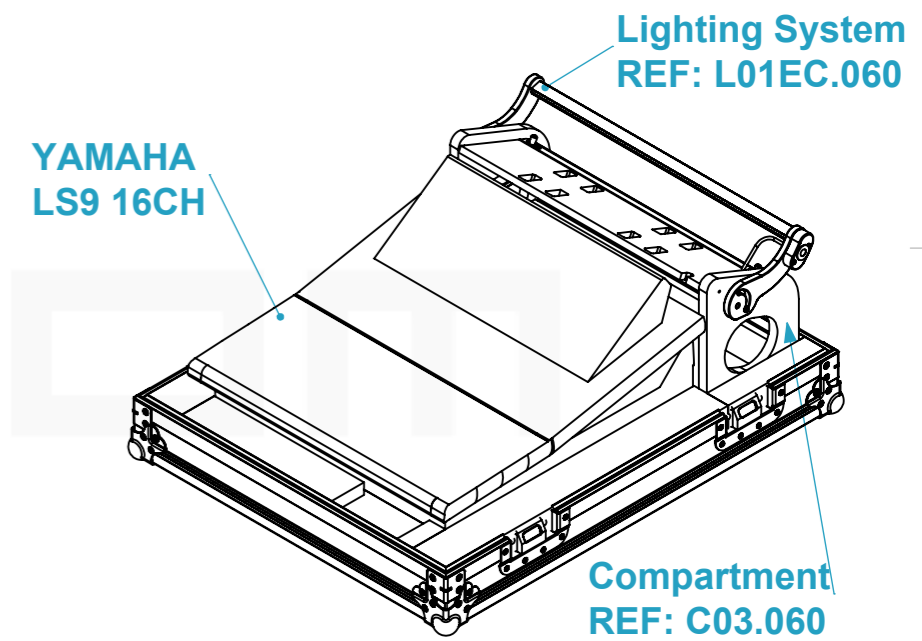
**Flight Case**  
REF: X12B.0607534



**HD Foam inserts**

**The Lighting bar rotates for storage in the flight case**

**Roller Shutter (For easy access to connections)**



**Optional Tablet Supports**  
REF: SUPORTE.1026



**Optional Laptop Supports**  
REF: SUPORTE.1025

**NOTE:**  
All optional accessories are not included in the flight case and must be ordered separately

Usable Inner Dimensions			
W	Width	Wi	Inside Width
D	Depth	Di	Inside Depth
H	Height	Hi	Inside Height

This drawing must not be copied or disclosed without consent of the owner

Drawn by	jorgepacheco	Date	10/05/2018
Reference	MIXER.158		
Scale	1:10	units in mm	general tolerance 0.8mm
1st Angle projection	FC, YAMAHA LS9 16CH		

