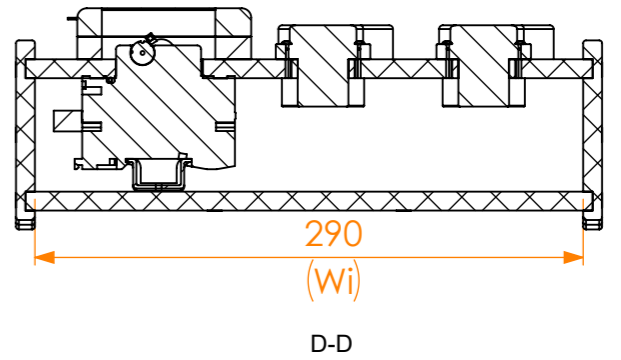
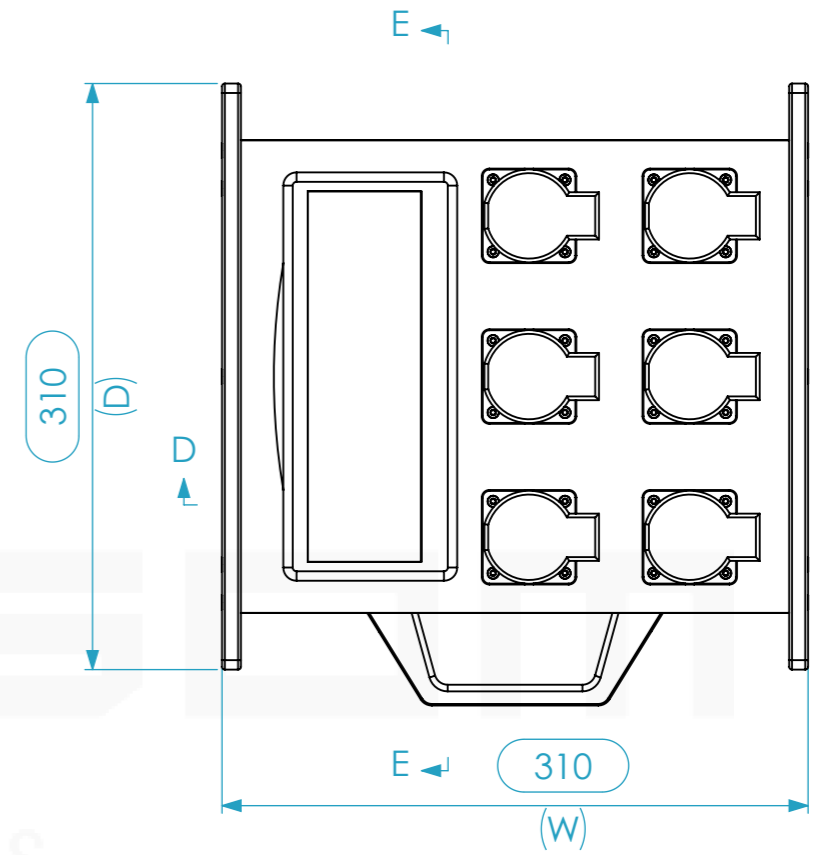
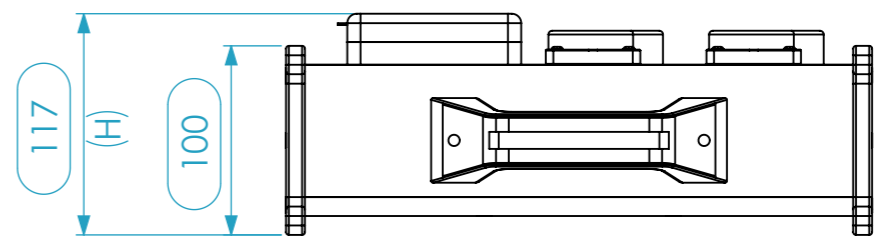
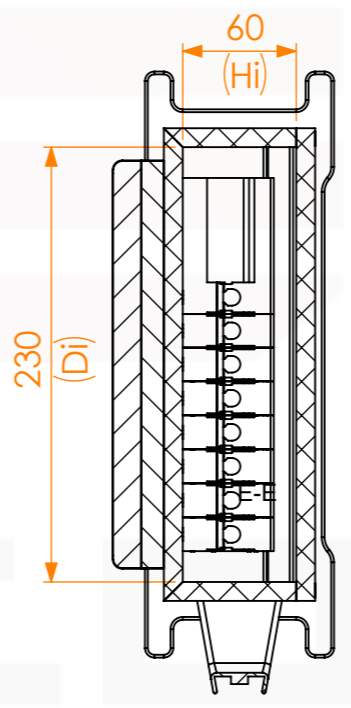
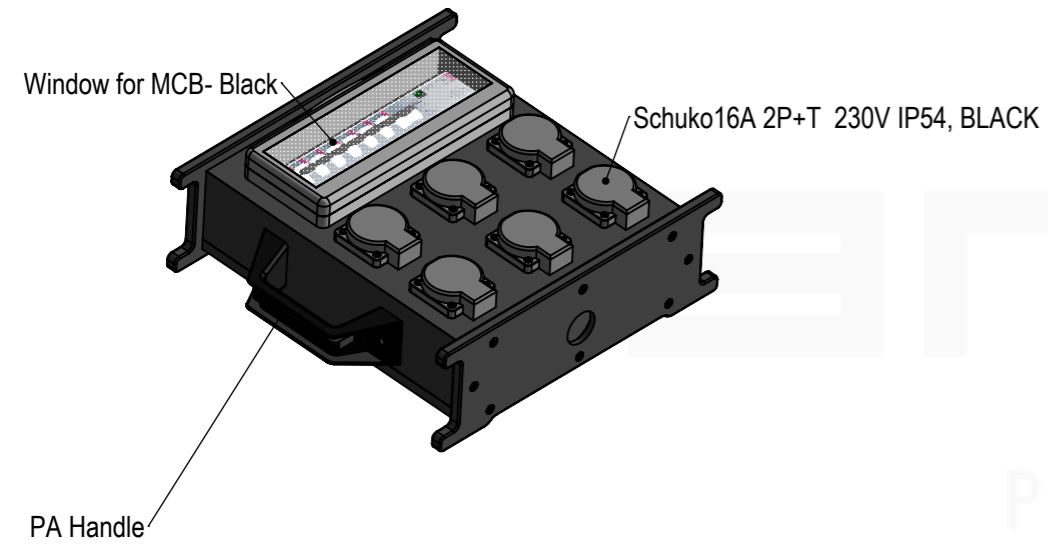
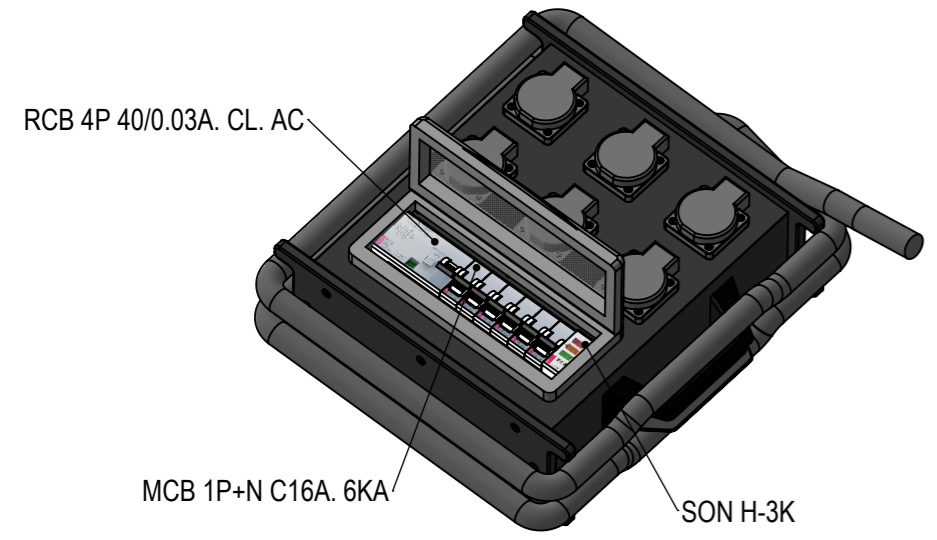


Internal Dimensions		
Width	Depth	Height
290	230	60
Weight	Approx.4.60Kg	
Wall Thickness	10mm	



Hardware		
Qty	Description	Ref.
6	MCB 1P+N C16A. 6KA	ECD.ETIDJ2P16
1	Window for MCB- Black	ECD.PC9006509S
1	MOUNTING RAIL Omega	PERFIL.TS35
1	RCB 4P 40/0.03A. CL. AC	ECD.ETIDF4P40.03
1	SON H-3K	ECD.ETSONH3K
6	Schuko16A 2P+T 230V IP54, BLACK	EC.SHU07BLK
1	Cable FBBN 3X2,5MM RUBBER - 2600mm	CABO.3X2.5
1	PA Handle	Puxador.1001

General External Dimensions
Usable Inner Dimensions (UID)

This drawing must not be copied or disclosed without consent of the owner

Drawn by	Name	Date
CatarinaHenriques	CatarinaHenriques	30/07/2018
Reference	PWD.3206.08	
Scale	units in mm	general tolerance
1:4	DO NOT SCALE	0.8mm
1st Angle projection	CAIXA DE DISTRIBUIÇÃO, CEE 32A SPIN/OUT 6 SHUKO	

