



Strain gauges

Handy measuring instruments suitable for measurements in two directions. Used to check the measuring force of dial indicators, lever type indicators, CMM probes etc. Small model with flat touch surface has a $\phi 1$ mm bore. Large model with curved touch surface of $\phi 3.5$ mm.

- Measuring range: 0.01 - 20 N or 1 - 2000 g.
- Indication accuracy:
± 2% of the entire scale except 910.143 and 910.149: ± 2.5%.
- With peak pointer.
- Metal housing.
- Delivered in a plastic case.



910.138



910.149

Newton model

Item No.	Measuring range/N	Graduation N
Small model:		
910.138	0.01 - 0.05	0.001
910.139	0.025 - 0.15	0.005
910.140	0.1 - 0.5	0.01
910.141	0.25 - 1.5	0.05
910.142	1 - 5	0.1
Large model:		
910.143	4 - 20	0.5

Gram model

Item No.	Measuring range/g	Graduation g
Small model:		
910.144	1 - 5	0.1
910.145	2.5 - 15	0.5
910.146	10 - 50	1
910.147	25 - 150	5
910.148	100 - 500	10
Large model:		
910.149	500 - 2000	50

Strain gauges

Handy measuring instruments suitable for measurements in two directions. Used to check the measuring force of dial indicators, lever type indicators, CMM probes etc. The flat touch surface has a $\phi 1$ mm bore.

- Measuring range: 2 - 500 gram.
- Indication accuracy:
± 4% of the entire scale.
- With peak pointer.
- Delivered in a plastic case.

Item No.	Measuring range/g	Graduation g
909.391	2 - 10	0.5
909.392	5 - 30	1
909.393	10 - 50	2
909.394	20 - 100	5
909.395	25 - 150	5
909.396	50 - 300	10
909.397	100 - 500	20



909.395

Strain gauges

Handy strain gauges suitable for measurements in two directions.

- Measuring range: 0.015 - 100 N.
- Indication accuracy:
± 2% of the entire scale.
- With peak pointer.



857.724

Small model

Item No.	Measuring range/N	Graduation N
857.702	0.015-0.15	0.005
857.703	0.03 -0.3	0.01
857.704	0.05 -0.5	0.01
857.705	0.1 -1	0.02
857.706	0.15 -1.5	0.05
857.707	0.25 -2.5	0.05

Large model

Item No.	Measuring range/N	Graduation N	Length mm
857.721	0.25- 2.5	0.05	153.5
857.722	1 - 5	0.1	153.5
857.725	3 - 30	0.5	153.5
857.726	4 - 40	1	153.5
857.727	5 - 50	1	127.5
857.728	10 -100	2	127.5

Digital spring scale

- Measuring range: 0 - 50 kg.
- Resolution:
0.005 kg (measuring range 0 - 10 kg),
0.01 kg (measuring range 10 - 50 kg).
- Kg/lbs conversion.
- Illuminated LCD display.
- Automatic switch-off.
- Reset.
- Automatic hold function.

- Dimensions: 110 x 65 x 30 mm.
- Weight: 170 g.
- Power supply: 2 batteries type AAA.

Item No.	Measuring range/kg
910.359	0-50

Option:
497.914 Spare battery (2 needed)



NEW



Digital spring scales

- Measuring range: 0- 25 kg.
- Resolution: 0.005, 0.01 or 0.02 kg.
- Kg/lbs conversion.
- Automatic switch-off.
- Reset at weight empty box possible.
- Automatic hold function.
- Memory for maximum weight.

- Dimensions and weight:
909.126: 100 x 58 x 22 mm, approx. 100 g,
909.123/124: 149 x 100 x 35 mm, approx. 200 g.
- Power supply:
909.126: 3 batteries type AAA,
909.123/124: 1 battery type PP3 (9 V).

Item No.	Measuring range/kg	Resolution kg	Accuracy kg
909.126	0- 5	0.005	±0.02
909.123	0- 10	0.01	±0.01
909.124	0- 25	0.02	±0.02

Options:
497.914 Spare battery type AAA
495.161 Spare battery type PP3



Dynamometers

Robust dynamometers in analog and digital model with several set-up pieces.

- Measuring range: 0- 500 N.
- Push and pull.
- Max/peak function.

Analog

- Accuracy: ± 1%.
- Graduation: N and kg.
- With 4 tapped holes M3 (for mounting).
- Dimensions: 225 x 60 x 51 mm.
- Weight: approx. 600 g.

Digital

- Accuracy: ±0.2%.
- Kg/lb/N conversion.
- On/off switch.
- Automatic switch-off.
- Reversible display value.
- With 4 tapped holes M4 (for mounting).
- Dimensions: 147 x 75 x 38 mm.
- Weight: approx. 400 g.
- Power supply: AC adapter (12 Vdc, 1 A) and rechargeable battery.



Item No.	Measuring range/N	Reading N
Analog:		
909.175	0- 10	0.05
909.178	0- 50	0.2
909.180	0- 200	1
909.182	0- 500	2
Digital:		
909.168	0- 5	0.001
909.169	0- 10	0.01
909.171	0- 50	0.01
909.173	0- 200	0.1
909.174	0- 500	0.1

Digital Kraftmessgeräte für Zug- und Druckkraft



- ▶ Für Handbetrieb oder zum Einbau in Prüfvorrichtungen
- ▶ großes, beleuchtetes LCD Display, um 180° drehbar
- ▶ Akkubetrieb
- ▶ Genauigkeit: $\pm 0.5\%$ fs
- ▶ Überlastschutz 150%
- ▶ Wählbare Einheiten: Newton, kg, lb
- ▶ Lieferung im Koffer inkl. Akku, Ladegerät, Zubehörsatz (Flachkopf, Nutenkopf, Konus, Spatel, Haken, Verlängerungswelle)

Funktionen:

- ▶ ON / OFF
- ▶ Grenzwert-Programmierung (min / max)
- ▶ Taring
- ▶ Umschaltung N/ kg / lb
- ▶ Spitzenwert-Speicher für Zug- und Druckkraft
- ▶ Datenausgang RS 232
- ▶ Überlastausgang

Digital force measuring gauges for traction force and pressure

- ▶ For hand operation or for mounting on test control units
- ▶ Large lit up LCD display, turnable through 180°
- ▶ Battery operation
- ▶ Accuracy: $\pm 0.5\%$ fs
- ▶ Overload protection 150%
- ▶ Selectable measurement units: N, kg, lb
- ▶ Delivered in box incl. storage battery, charger and accessories (Pan head, groove head, cone, spatula, hook and extension shaft)

Functions:

- ▶ ON / OFF
- ▶ Programmable high / low setpoints
- ▶ Taring
- ▶ Commutation N/ kg / lb
- ▶ Peak value memory for traction force and pressure
- ▶ Data output RS 232
- ▶ Overload output



No. 2150 4.

No. 2150 407
- 409

2150 401 – 2150 406 :

Digital Kraftmessgeräte mit integrierter Wägezelle

2150 401 – 2150 406 :

Digital force measuring gauges with integrated load cell

2150 407 – 2150 410 :

Digital Kraftmessgeräte mit externer Wägezelle

2150 407 – 2150 410 :

Digital force measuring gauges with external load cell

N	Δ N	L mm	kg	Nº
2	0,001	238 x 63 x 36	0,7	2150 401
5	0,001	238 x 63 x 36	0,7	2150 402
10	0,005	238 x 63 x 36	0,7	2150 402x
20	0,01	238 x 63 x 36	0,7	2150 403
50	0,01	238 x 63 x 36	0,7	2150 404
100	0,05	238 x 63 x 36	0,7	2150 404x
200	0,1	238 x 63 x 36	0,7	2150 405
500	0,1	238 x 63 x 36	0,7	2150 406
1000	0,5	238 x 63 x 36	0,7	2150 407
2000	1,0	238 x 63 x 36	0,7	2150 408
5000	1,0	238 x 63 x 36	0,7	2150 409
10000	5,0	238 x 63 x 36	0,7	2150 410

> 10000 auf Anfrage / on request

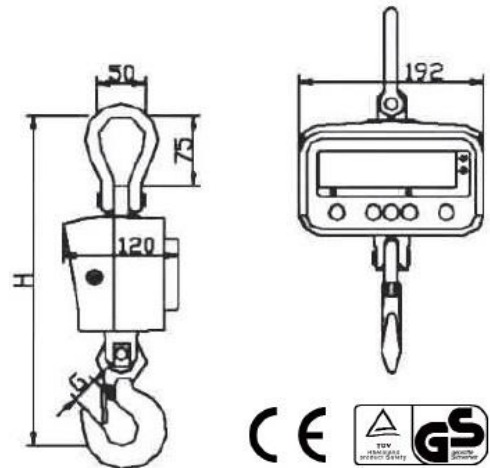
Datenkabel, PC Software / Data cable, PC software

2150 911



Comando à distância incluído

GPE/L-0,3



Referencia referência referência	GPE/L-0,3	GPE/L-0,5	GPE/L-1,0
Código código code	78-239/2	78-239/4	78-239/6
Precisión precisão précision (Kg)	0,1	0,2	0,5
Dimensiones dimensões dimensions (mm)			
H	340	350	350
G	20	22	22
PESO peso poids (Kg)	4	4,2	4,2
Carga máx. carga force (Kg)	300	500	1.000