

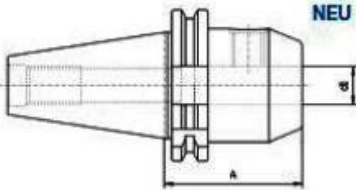


CONES ISO DIN 69871 PARA FREZAS WELDON

End mill adaptors WELDON, DIN 69871

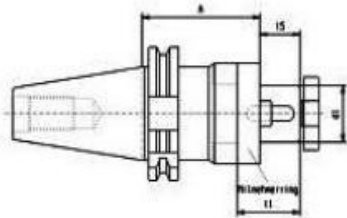


NEU / NEW  
 NEU / NEW  
 NEU / NEW  
 NEU / NEW  
 NEU / NEW  
 NEU / NEW  
 NEU / NEW  
 NEU / NEW



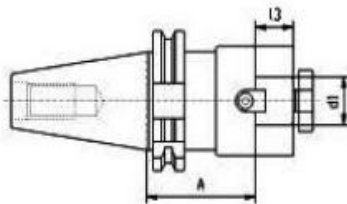
SK	d mm	A mm	Order no
SK 30	6	50	13-7625-30-6-50
SK 30	8	50	13-7625-30-8-50
SK 30	10	50	13-7625-30-10-50
SK 30	12	50	13-7625-30-12-50
SK 30	14	63	13-7625-30-14-50
SK 30	16	63	13-7625-30-16-63
SK 30	18	63	13-7625-30-18-63
SK 30	20	63	13-7625-30-20-63
SK 40	6	50	13-7625-40-6-50
SK 40	6	100	13-7625-40-6-100
SK 40	6	160	13-7625-40-6-160
SK 40	8	50	13-7625-40-8-50
SK 40	8	100	13-7625-40-8-100
SK 40	8	160	13-7625-40-8-160
SK 40	10	50	13-7625-40-10-50
SK 40	10	100	13-7625-40-10-100
SK 40	10	160	13-7625-40-10-160
SK 40	12	50	13-7625-40-12-50
SK 40	12	100	13-7625-40-12-100
SK 40	12	160	13-7625-40-12-160
SK 40	14	50	13-7625-40-14-50
SK 40	14	100	13-7625-40-14-100
SK 40	14	160	13-7625-40-14-160
SK 40	16	63	13-7625-40-16-63
SK 40	16	100	13-7625-40-16-100
SK 40	16	160	13-7625-40-16-160
SK 40	18	63	13-7625-40-18-63
SK 40	18	100	13-7625-40-18-100
SK 40	18	160	13-7625-40-18-160
SK 40	20	63	13-7625-40-20-63
SK 40	20	100	13-7625-40-20-100
SK 40	20	160	13-7625-40-20-160
SK 40	22	63	13-7625-40-22-63
SK 40	25	100	13-7625-40-25-100
SK 40	25	160	13-7625-40-25-160
SK 40	32	100	13-7625-40-32-100
SK 40	32	160	13-7625-40-32-160
SK 40	40	120	13-7625-40-40-120
SK 50	6	63	13-7625-50-6-63
SK 50	6	100	13-7625-50-6-100
SK 50	6	160	13-7625-50-6-160
SK 50	8	63	13-7625-50-8-63
SK 50	8	100	13-7625-50-8-100
SK 50	8	160	13-7625-50-8-160
SK 50	10	63	13-7625-50-10-63
SK 50	10	100	13-7625-50-10-100
SK 50	10	160	13-7625-50-10-160
SK 50	12	63	13-7625-50-12-63
SK 50	12	100	13-7625-50-12-100
SK 50	12	160	13-7625-50-12-160
SK 50	14	63	13-7625-50-14-63
SK 50	14	100	13-7625-50-14-100
SK 50	14	160	13-7625-50-14-160
SK 50	16	63	13-7625-50-16-63
SK 50	16	100	13-7625-50-16-100
SK 50	16	160	13-7625-50-16-160
SK 50	18	63	13-7625-50-18-63
SK 50	18	100	13-7625-50-18-100
SK 50	18	160	13-7625-50-18-160
SK 50	20	63	13-7625-50-20-63
SK 50	20	100	13-7625-50-20-100
SK 50	20	160	13-7625-50-20-160

**Combination shell mill adaptors, DIN 69871**



SK	d1 mm	A mm	l1 mm	l5 mm		Order no
SK 40	13	55	22	12	●	13-7301-40-13
SK 40	16	55	27	17	●	13-7301-40-16
SK 40	22	55	32	19	●	13-7301-40-22
SK 40	27	55	33	21	●	13-7301-40-27
SK 40	32	60	38	24	●	13-7301-40-32
SK 40	40	60	41	27	●	13-7301-40-40
SK 50	16	55	27	17	●	13-7301-50-16
SK 50	22	55	31	19	●	13-7301-50-22
SK 50	27	55	33	21	●	13-7301-50-27
SK 50	32	55	38	24	●	13-7301-50-32
SK 50	40	55	41	27	●	13-7301-50-40
SK 50	50	70	46	30	●	13-7301-50-50

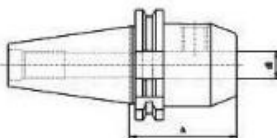
**Face mill holders, DIN 69871**



SK	d1 mm	A mm	l3 mm		Order no
SK 40	16	35	17	●	13-7369-40-16
SK 40	16	100	17	●	13-7369-40-16-100
SK 40	22	35	19	●	13-7369-40-22
SK 40	22	100	19	●	13-7369-40-22-100
SK 40	22	160*	19	●	13-7369-40-22-160
SK 40	27	40	21	●	13-7369-40-27
SK 40	27	100	21	●	13-7369-40-27-100
SK 40	27	160*	21	●	13-7369-40-27-160
SK 40	32	50	24	●	13-7369-40-32
SK 40	32	100	24	●	13-7369-40-32-100
SK 40	32	160*	24	●	13-7369-40-32-160
SK 40	40	50	27	●	13-7369-40-40
SK 40	40	100	27	●	13-7369-40-40-100
SK 40	40	160*	27	●	13-7369-40-40-160
SK 50	22	35	19	●	13-7369-50-22
SK 50	22	100	19	●	13-7369-50-22-100
SK 50	22	160*	19	●	13-7369-50-22-160
SK 50	27	40	21	●	13-7369-50-27
SK 50	27	100	21	●	13-7369-50-27-100
SK 50	27	160*	21	●	13-7369-50-27-160
SK 50	32	50	24	●	13-7369-50-32
SK 50	32	100	24	●	13-7369-50-32-100
SK 50	32	160*	24	●	13-7369-50-32-160
SK 50	40	50	27	●	13-7369-50-40
SK 50	40	100	27	●	13-7369-50-40-100
SK 50	40	160*	27	●	13-7369-50-40-160
SK 50	50	60	30	●	13-7369-50-50

\* with frontal coolant holes

**End mill adaptors WELDON, DIN 69871**



SK	d mm	A mm		Order no
SK 50	25	80	●	13-7625-50-25-80
SK 50	25	100	●	13-7625-50-25-100
SK 50	25	160	●	13-7625-50-25-160
SK 50	32	100	●	13-7625-50-32-100
SK 50	32	160	●	13-7625-50-32-160
SK 50	40	100	●	13-7625-50-40-100

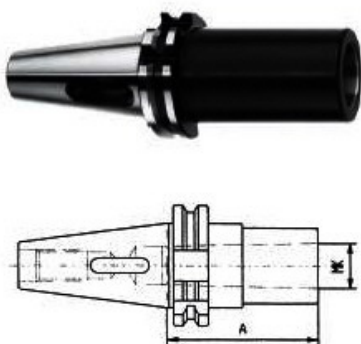


### Drill chuck adaptors, DIN 69871



SK	Kegel/ Taper	A mm	Order no
SK 40	B12	40	13-5374-40-B12
SK 40	B16	40	13-5374-40-B16
SK 40	B18	40	13-5374-40-B18
SK 50	B16	40	13-5374-50-B16
SK 50	B18	40	13-5374-50-B18

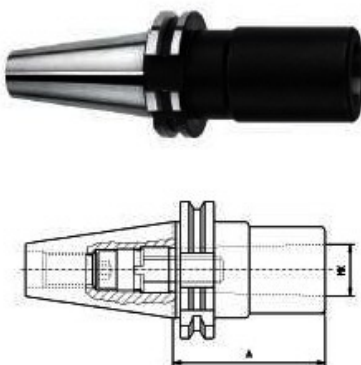
### Reducing adaptors for MT tools with tang, DIN 69871



SK	MK	A mm	Order no
SK 40	1	50	13-1681-40/1
SK 40	2	50	13-1681-40/2
SK 40	3	70	13-1681-40/3
SK 40	4	95	13-1681-40/4
SK 50	1	45	13-1681-50/1
SK 50	2	50	13-1681-50/2
SK 50	3	65	13-1681-50/3
SK 50	4	95	13-1681-50/4
SK 50	5	100	13-1681-50/5

### Reducing adaptors for MT tools with thread, DIN 69871

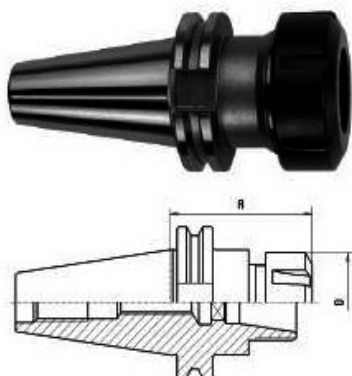
- with thread DIN 6364



SK	MK	A mm	Order no
SK 40	1	50	13-1695-40/1
SK 40	2	50	13-1695-40/2
SK 40	3	70	13-1695-40/3
SK 40	4	95	13-1695-40/4
SK 50	1	45	13-1695-50/1
SK 50	2	60	13-1695-50/2
SK 50	3	65	13-1695-50/3
SK 50	4	95	13-1695-50/4
SK 50	5	105	13-1695-50/5

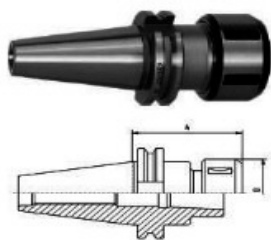
### CONES ISO DIN 69871 PARA PINÇAS

### Collet chucks ER, DIN 69871



SK	ER	A mm	D mm	Order no
SK 40	ER 16	63	28	13-7617-40-16
SK 40	ER 16	100	28	13-7617-40-16-100
SK 40	ER 16	160	28	13-7617-40-16-160
SK 40	ER 25	60	42	13-7617-40-25
SK 40	ER 25	100	42	13-7617-40-25-100
SK 40	ER 25	160	42	13-7617-40-25-160
SK 40	ER 32	70	50	13-7617-40-32
SK 40	ER 32	100	50	13-7617-40-32-100
SK 40	ER 32	160	50	13-7617-40-32-160
SK 40	ER 40	80	63	13-7617-40-40
SK 40	ER 40	100	63	13-7617-40-40-100
SK 40	ER 40	160	63	13-7617-40-40-160
SK 50	ER 32	70	50	13-7617-50-32
SK 50	ER 32	100	50	13-7617-50-32-100
SK 50	ER 32	160	50	13-7617-50-32-160
SK 50	ER 40	80	63	13-7617-50-40
SK 50	ER 40	100	63	13-7617-50-40-100
SK 50	ER 40	160	63	13-7617-50-40-160

**CONES ISO DIN 69871 PARA FREZAS WELDON E COM ANEL DE REFRIGERAÇÃO - CONES ISO DIN 69871 PARA PINÇAS**



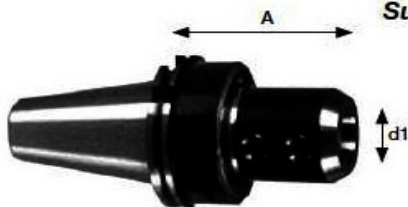
**Collet chucks OZ, DIN 69871**

SK	Collet	A mm	D mm		Order no
SK 40	OZ16 (415E)	70	43	●	13-7645-40-16
SK 40	OZ25 (462E)	70	60	●	13-7645-40-25
SK 40	OZ32 (467E)	90	72	●	13-7645-40-32
SK 50	OZ25 (462E)	70	60	▶	13-7645-50-25
SK 50	OZ32 (467E)	80	72	●	13-7645-50-32

**Weldon chuck with cooling agent ring, DIN 69871**

- with cooling agent ring for internal coolant supply  
- according to DIN 1835B

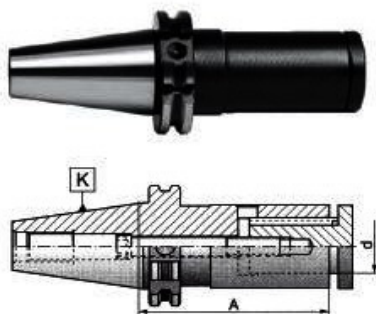
Suitable reduction sleeves see page 197.



SK	d1 mm	A mm	Art.-Nr/ Order no
SK 40	20	70	○ 09-FSKR-DIN-40-20
SK 40	25	100	○ 09-FSKR-DIN-40-25
SK 40	32	110	○ 09-FSKR-DIN-40-32
SK 40	40	120	○ 09-FSKR-DIN-40-40
SK 50	20	70	○ 09-FSKR-DIN-50-20
SK 50	25	100	○ 09-FSKR-DIN-50-25
SK 50	32	110	○ 09-FSKR-DIN-50-32
SK 50	40	120	○ 09-FSKR-DIN-50-40

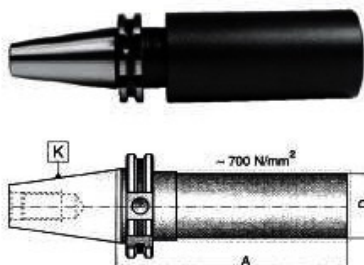
**CONES ISO DIN 69871 ARVORE PARA SERRAS DE DISCO - EXECUÇÃO DE ADAPTAÇÃO ESPECIAL – ARVORE DE TESTE**

**Arbors for disc mills, DIN 69871**



SK	d mm	A mm	Weight kg	Order no
40	16	95	1,5	○ 13-7373-40-16
40	22	95	1,6	○ 13-7373-40-22
40	27	95	1,7	○ 13-7373-40-27
40	32	95	2,0	○ 13-7373-40-32
50	22	100	3,1	○ 13-7373-50-22
50	27	100	3,3	○ 13-7373-50-27
50	32	100	3,9	○ 13-7373-50-32
50	40	100	4,6	○ 13-7373-50-40

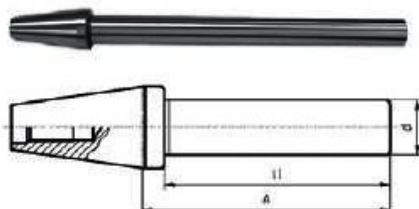
**Blanks, DIN 69871**



SK	D mm	A mm	Weight kg	Order no
SK 40	63	160	8	● 13-2191-40-63-160
SK 40	63	250	8	● 13-2191-40-63-250
SK 50	97	315	16	● 13-2191-50-97-315

**Test arbors, DIN 69871**

**NEW**



SK	d mm	A mm	l1 mm	Order no
SK 40	30	300	289	▶ 13-PD-SK40-30
SK 50	36	300	287	▶ 13-PD-SK50-36