

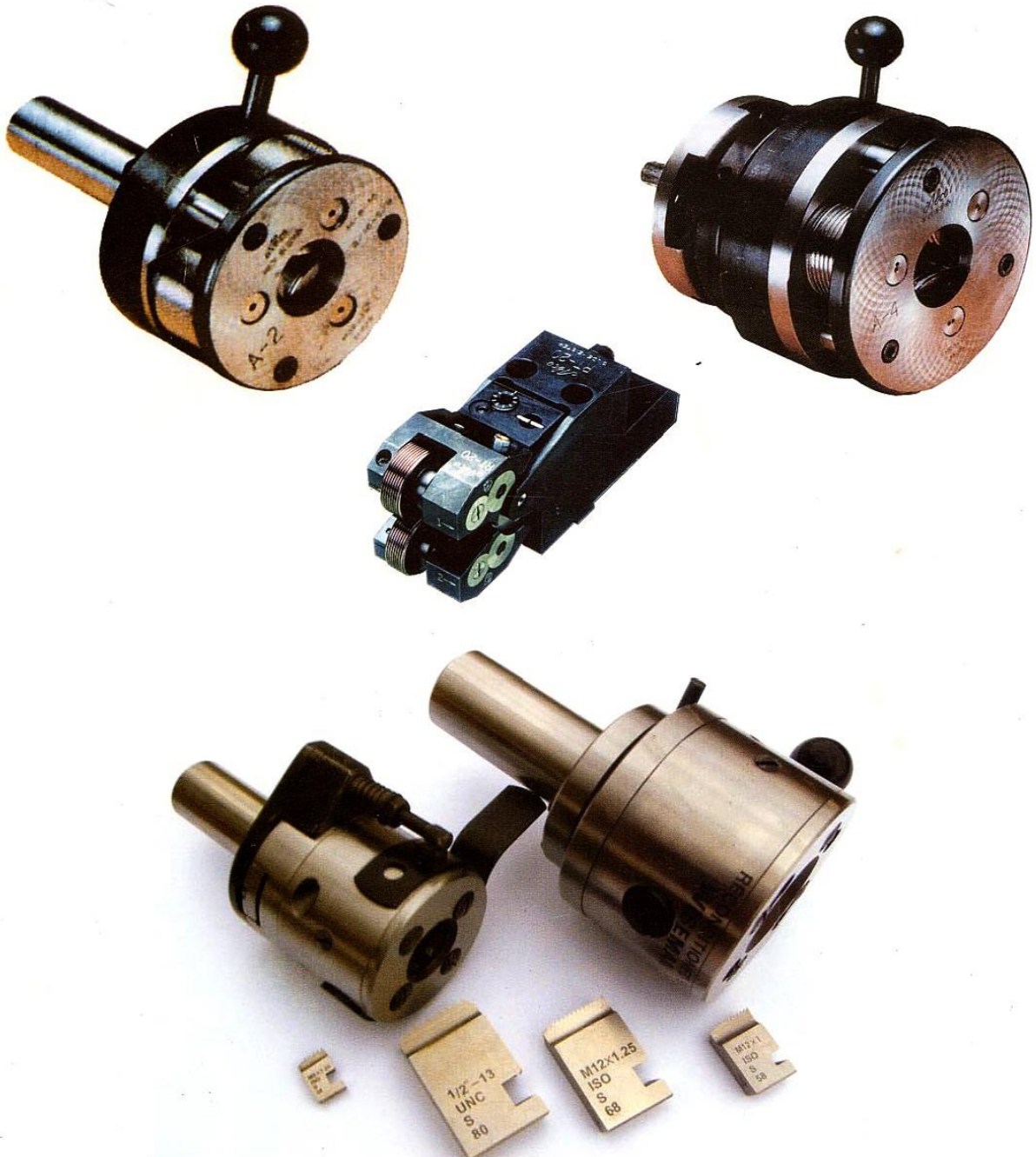


Alco, Coventry, Landis

Thread Rolling and Cutting Dieheads

New and Reconditioned

Heads, Spare Parts, Service



• PENTES DE ROSCAR PARA CABEÇAS GEOMETRICAS (G)



REGULAR
STYLE "D"



PROJECTION
STYLE "D"



EXTENDED
PROJECTION
STYLE "D"



OFFSET
PROJECTION
STYLE "D"



REGULAR
STYLE "K"

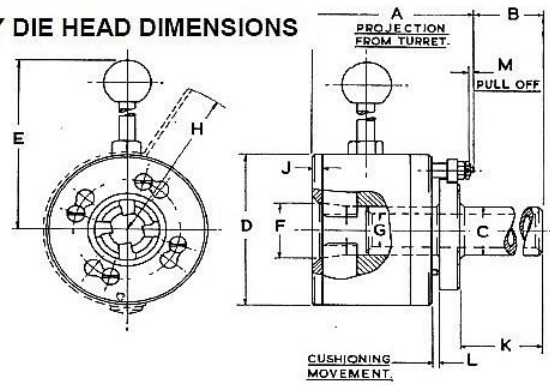


PROJECTION
STYLE "K"

PENTES DE ROSCAR para cabeças COVENTRY ¼" (6mm)							
Ref.	rosca	Ref.	rosca	Ref.	rosca	Ref.	rosca
WC101	1/8.40 BSW	WC114	6BA	WC132	1/4.28 UNF	WC147	M5 x 0.8
WC102	3/16.24 BSW	WC120	4.40 UNC	WC141	M2 x 0.4	WC149	M6 x 1
WC103	1/4.20 BSW	WC122	6.32 UNC	WC142	M2.5 x 0.45	WC152	M8 x 1.25
WC105	1/8 BSP	WC124	8.32 UNC	WC143	M3 x 0.5		
WC110	2BA	WC126	1/4.20 UNC	WC144	M3.5 x 0.6		
WC112	4BA	WC130	10.32 UNF	WC145	M4 x 0.7		
PENTES DE ROSCAR para cabeças COVENTRY 5/16" (8mm)							
Ref.	rosca	Ref.	rosca	Ref.	rosca	Ref.	rosca
WC210	8.32 UNC	WC224	5/16.24 UNF	WC234	M4 x 0.7	WC240	M8 x 1.25
WC220	10.32 UNF	WC230	M3 x 0.5	WC236	M5 x 0.8		
WC222	1/4.28 UNF	WC232	M3.5 x 0.6	WC238	M6 x 1		
PENTES DE ROSCAR para cabeças COVENTRY 3/8" (10mm)							
Ref.	rosca	Ref.	rosca	Ref.	rosca	Ref.	rosca
WC322	1/4.28 UNF	WC334	M4 x 0.7	WC338	M6 x 1	WC342	M10 x 1.5
WC324	5/16.24 UNF	WC336	M5 x 0.8	WC340	M8 x 1.25		
PENTES DE ROSCAR para cabeças COVENTRY 1/2"							
Ref.	rosca	Ref.	rosca	Ref.	rosca	Ref.	rosca
WC401	3/16.24 BSW	WC431	3/8.26 BSB	WC463	1/4.20 UNF	WC478	M6 x 1
WC402	1/4.20 BSW	WC433	1/2.26 BSB	WC464	5/16.24 UNF	WC480	M8 x 1
WC403	5/16.18 BSW	WC422	2BA	WC465	3/8.24 UNF	WC481	M8 x 1.25
WC404	3/8.16 BSW	WC452	6.32 UNC	WC466	7/16.20 UNF	WC483	M10 x 1
WC406	1/2.12 BSW	WC453	8.32 UNC	WC467	1/2.20 UNF	WC485	M10 x 1.25
WC408	1/4.26 BSF	WC454	10.24 UNC	WC468	9/16.18 UNF	WC487	M10 x 1.5
WC409	5/16.22 BSF	WC455	1/4.20 UNC	WC469	5/8.18 UNF	WC489	M12 x 1
WC410	3/8.20 BSF	WC456	5/16.18 UNC	WC470	7/16.24 UNS	WC491	M12 x 1.25
WC412	1/2.16 BSF	WC457	3/8.16 UNC	WC471	1/2.24 UNS	WC492	M12 x 1.5
WC420	1/8.28 BSP	WC458	7/16.14 UNC	WC472	M3 x 0.5	WC493	M12 x 1.75
WC421	1/4.19 BSP	WC459	1/2.13 UNC	WC473	M3.5 x 0.6	WC495	M14 x 1.5
WC422	3/8.19 BSP	WC460	6.40 UNF	WC474	M4 x 0.7	WC497	M16 x 1.5
WC430	5/16.26 BSB	WC462	10.32 UNF	WC475	M5 x 0.8		
PENTES DE ROSCAR para cabeças COVENTRY 3/4" (20mm)							
Ref.	rosca	Ref.	rosca	Ref.	rosca	Ref.	rosca
WC504	3/8.16 BSW	WC523	1/2.14 BSP	WC568	9/16.18 UNF	WC583	M12 x 1.75
WC506	1/2.12 BSW	WC524	3/4.14 BSP	WC569	5/8.18 UNF	WC584	M14 x 1.5
WC507	5/8.11 BSW	WC557	3/8.16 UNC	WC570	3/4.16 UNF	WC585	M14 x 2
WC508	3/4.10 BSW	WC559	1/2.13 UNC	WC571	7/8.14 UNF	WC586	M16 x 1
WC510	1/2.16 BSF	WC560	5/8.11 UNC	WC578	M6 x 1	WC587	M16 x 1.5
WC511	5/8.18 BSF	WC561	3/4.10 UNC	WC579	M8 x 1.25	WC588	M16 x 2
WC512	3/4.12 BSF	WC565	3/8.24 UNF	WC580	M10 x 1.5	WC589	M18 x 1.5
WC521	1/4.19 BSP	WC566	7/16.20 UNF	WC581	M12 x 1.25	WC591	M20 x 1.5
WC522	3/8.19 BSP	WC567	1/2.20 UNF	WC582	M12 x 1.5	WC592	M20 x 2.5
PENTES DE ROSCAR para cabeças COVENTRY 1" (25mm)							
Ref.	rosca	Ref.	rosca	Ref.	rosca	Ref.	rosca
WC601	5/8.11 BSW	WC616	5/8.11 UNC	WC629	1"12 UNF	WC654	M20 x 2.5
WC602	3/4.10 BSW	WC617	3/4.10 UNC	WC640	M8 x 1.25	WC656	M22 x 1.5
WC604	1"8 BSW	WC618	7/8.9 UNC	WC642	M10 x 1.5	WC658	M22 x 2.5
WC607	1/2.14 BSP	WC619	1"8 UNC	WC644	M12 x 1.75	WC660	M24 x 1.5
WC608	5/8.14 BSP	WC625	1/2.20 UNF	WC646	M14 x 2	WC662	M24 x 2
WC609	3/4.14 BSP	WC626	5/8.18 UNF	WC648	M16 x 2	WC664	M24 x 3
WC610	1"11 BSP	WC627	3/4.16 UNF	WC650	M18 x 2.5		
WC615	1/2.13 UNC	WC628	7/8.14 UNF	WC652	M20 x 1.5		
PENTES DE ROSCAR para cabeças COVENTRY 1.1/4" (32mm)							
Ref.	rosca	Ref.	rosca	Ref.	rosca	Ref.	rosca
WC701	3/4.10 BSW	WC714	5/8.11 UNC	WC730	1"12 UNF	WC743	M12 x 1.75
WC703	1"8 BSW	WC715	3/4.10 UNC	WC731	1.1/8.12 UNF	WC748	M16 x 2
WC705	1.1/8"7 BSW	WC717	7/8.9 UNC	WC732	1.1.4"12 UNF	WC752	M20 x 2.5
WC707	1.1/4"7 BSW	WC719	1"8 UNC	WC734	1.1/8"8 UNS	WC755	M22 x 2.5
WC710	3/4.14 BSP	WC721	1.1/8"7 UNC	WC736	1.1/4"8UNS	WC758	M24 x 3
WC712	1"11 BSP	WC723	1.1/4"7 UNC	WC740	M10 x 1.5	WC760	M27 x 3
						WC762	M30 x 3.5
• PENTES DE ROSCAR para cabeças COVENTRY 1.1/2" (38mm)							
Ref.	rosca	Ref.	rosca	Ref.	rosca	Ref.	rosca
WC805	1.1/2"6 BSW	WC820	1.1/2"6 UNC	WC835	M27 x 3	WC840	M36 x 4
WC815	1.1/4"7 UNC	WC830	M24 x 3	WC838	M30 x 3.5		
• PENTES DE ROSCAR para cabeças COVENTRY 2" (50mm)							
Ref.	rosca	Ref.	rosca	Ref.	rosca	Ref.	rosca
WC920	M36 x 4	WC925	M42 x 4.5	WC930	M48 x 5		



CHS STYLE COVENTRY DIE HEAD DIMENSIONS



DIE HEAD SIZE	A	B	C	D	E	F	G	H	J	K	L	M	N
1/4"	1.1/2" 38.10mm	1.1/2" 38.10mm	5/8" 15.87mm	1.1/2" 38.10mm	1.3/4" 44.45mm	9/16" 14.29mm	5/16" 7.94mm	1.3/4" 44.45mm	3/32" 2.38mm	1.9/16" 39.68mm	3/32" 2.38mm	3/64" 1.19mm	N/A
3/8"	2.5/32" 54.77mm	1.1/2" 38.10mm	3/4" 19.05mm	2" 50.80mm	2.5/16" 58.73mm	23/32" 18.26mm	15/32" 11.90mm	2.1/4" 57.15mm	9/64" 3.57mm	1.5/8" 41.27mm	1/8" 3.18mm	1/16" 1.59mm	N/A
1/2"	2.7/16" 61.91mm	1.7/8" 47.62mm	1" 25.40mm	2.1/2" 63.50mm	2.3/4" 69.85mm	29/32" 23.02mm	5/8" 15.88mm	2.1/2" 63.50mm	5/32" 3.97mm	2.1/32" 50.82mm	1/8" 3.18mm	5/64" 1.98mm	N/A
3/4"	3.1/8" 79.39mm	2.1/2" 63.50mm	1.1/2" 38.10mm	3.7/16" 87.31mm	3.21/32" 92.86mm	1.11/32" 42.86mm	7/8" 22.22mm	3" 76.19mm	3/16" 4.76mm	2.23/32" 69.05mm	5/32" 3.97mm	3/32" 2.38mm	N/A
1"	3.3/4" 95.25mm	2.7/8" 72.03mm	1.3/4" 44.45mm	4" 101.6mm	4.1/2" 114.3mm	1.3/4" 44.45mm	1.3/16" 30.16mm	N/A	1/4" 6.35mm	3.1/8" 79.39mm	3/16" 4.76mm	7/64" 2.78mm	N/A
1.1/4"	4.3/16" 106.4mm	3.13/16" 96.83mm	2.1/8" 53.97mm	4.5/8" 117.5mm	5.5/16" 134.9mm	2.1/32" 50.82mm	1.3/8" 34.92mm	N/A	1/4" 6.35mm	4.7/16" 103.2mm	3/16" 4.76mm	1/8" 3.18mm	N/A
1.1/2"	4.3/8" 117.5mm	4.1/8" 104.77mm	2.1/2" 63.50mm	5.1/16" 128.6mm	5.1/2" 139.7mm	2.1/4" 57.15mm	1.5/8" 41.27mm	N/A	1/4" 6.35mm	4.3/8" 111.1mm	1/4" 6.35mm	1/8" 3.18mm	N/A
2"	6.1/4" 158.8mm	4.23/32" 119.9mm	3.1/4" 82.55mm	6.7/8" 174.6mm	7.15/16" 201.6mm	3.1/8" 79.39mm	2.1/8" 53.97mm	N/A	5/16" 7.94mm	4.11/16" 119.1mm	7/16" 11.11mm	5/32" 3.97mm	5.1/8" 130.2mm

CHS STYLE COVENTRY DIE HEAD CAPACITIES

CHS DIE HEAD SIZE	1/4"	3/8"	1/2"	3/4"	1"	1.1/4"	1.1/2"	2"
Maximum capacity inches	1/4"	3/8"	1/2"	3/4"	1"	1.1/4"	1.1/2"	2"
Maximum capacity mm	6mm	9mm	13mm	20mm	26mm	33mm	39mm	52mm
Maximum capacity BSP	N/A	N/A	1/4"	1/2"	3/4"	1"	1"	1.1/2"
Minimum capacity inches	12 BA	6 BA	6 BA	2 BA	0 BA	1/4"	3/8"	1/2"
Minimum capacity mm	1.30mm	2.60mm	2.60mm	4.50mm	6.00mm	6.00mm	10.00mm	12.00mm
Coarsest pitch teeth per inch	20	16	12	10	8	7	6	4
Coarsest pitch mm	1.25mm	1.50mm	2.00mm	2.50mm	3.00mm	3.50mm	4.00mm	6.00mm

The data above relates to threads of any length, i.e. Where the produced thread can pass through the die head. Larger diameter threads can be produced but length is restricted. See next table.

CHS STYLE COVENTRY DIE HEAD OVERSIZE THREAD CAPACITIES

CHS DIE HEAD SIZE	1/4"	3/8"	1/2"	3/4"	1"	1.1/4"	1.1/2"	2"
Oversize capacity inches	3/8"	1/2"	11/16"	1"	1.3/8"	1.5/8"	1.15/16"	2.1/2"
Oversize capacity mm	9.5mm	12.5mm	17mm	25.4mm	35mm	41mm	49mm	64mm
Oversize capacity BSP	N/A	1/4"	3/8"	5/8"	1"	1.1/4"	1.1/2"	2"
Maximum thread length inches	5/16"	7/16"	1/2"	3/4"	7/8"	15/16"	1.1/8"	1.7/8"
Maximum thread length mm	8mm	11mm	12.5mm	19mm	22mm	24mm	29mm	48mm

In practice oversize threads are only restricted in diameter and pitch by the diameter of the mouth of the diehead and the width of the chasers (maximum thread length). Within these parameters most threads are possible. If in doubt please ask us.

CHS STYLE COVENTRY DIE HEAD WEIGHTS

CHS DIE HEAD SIZE	1/4"	3/8"	1/2"	3/4"	1"	1.1/4"	1.1/2"	2"
Weight (without chasers) Imperial	10 oz	1lb 6 oz	2.1/2lb	6.1/4lb	9.1/4lb	18lb	25lb	50lb
Weight (without chasers) Metric	0.3Kg	0.65Kg	1.2Kg	3Kg	4.3Kg	8.4Kg	11.5Kg	23Kg

COVENTRY CHASER DIES DIMENSIONS

DIE HEAD SIZE	CHASER WIDTH		CHASER THICKNESS		AVERAGE WEIGHT	
	INCH	MM	INCH	MM	IMPERIAL	METRIC
1/4" (6mm)	5/16"	7.9	5/32"	4.0	0.5 ounce	14.5 gm
5/16" (8mm)	7/16"	11.1	5/32"	4.0	1.5 ounce	43.0 gm
3/8" (10mm)	1/2"	12.7	1/4"	6.4	3.0 ounce	85.0 gm
1/2" (12mm)	1/2"	12.7	1/4"	6.4	3.0 ounce	85.0 gm
3/4" (20mm)	3/4"	19.1	5/16"	7.9	7.0 ounce	200.0 gm
1"	7/8"	22.2	3/8"	9.5	9.5 ounce	270.0 gm
1.1/4"	1"	25.4	7/16"	11.1	14.0 ounce	400.0 gm
1.1.2"	1.1/8"	28.6	1/2"	12.7	1.0 pound	455.0 gm
2"	1.1/2"	38.1	5/8"	15.9	1.5 pound	680.0 gm
2.1/2"	3/4"	19.1	5/16"	7.9	3.0 pound	1360.0 gm
3" (Obsolete)	1.3/4"	44.5	7/8"	22.2		
3.1/2" (Obsolete)	7/8"	22.2	3/8"	9.5		
4.1/2" (Obsolete)	2.1/4"	57.2	1.5/16"	33.3		