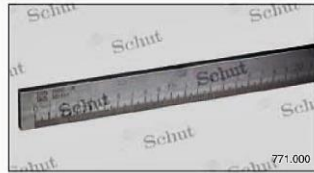




**Precision rulers**

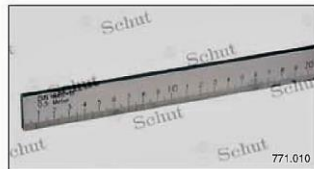
- Measuring range: 0- 3000 mm.
- Graduation: 1 mm.
- Material: bright steel or stainless steel.
- No graduation on first 5 mm at both ends.
- Accuracy and construction according DIN 866 form A.
- Available on request up to 5000 mm.
- Available on request with an inspection report.



| Dimensions<br>l x w x t/mm | Bright steel<br>Item No. | Stainless steel<br>Item No. | Wooden case<br>Item No. |
|----------------------------|--------------------------|-----------------------------|-------------------------|
| 500 x 30 x 6               | 771.000                  | 771.005                     | 776.568                 |
| 1000 x 40 x 8              | 771.001                  | 771.006                     | 776.468                 |
| 1500 x 40 x 8              | 771.002                  | 771.007                     | 776.561                 |
| 2000 x 50 x 10             | 771.003                  | 771.008                     | 776.562                 |
| 3000 x 50 x 10             | 771.004                  | 771.009                     | 776.563                 |

**Precision rulers**

- Measuring range: 0- 3000 mm.
- Graduation: 1 mm.
- Material: bright steel or stainless steel.
- Zero coincides with left end.
- Accuracy and construction according DIN 866 form B.
- Available on request up to 5000 mm.
- Available on request with an inspection report.



| Dimensions<br>l x w x t/mm | Bright steel<br>Item No. | Stainless steel<br>Item No. | Wooden case<br>Item No. |
|----------------------------|--------------------------|-----------------------------|-------------------------|
| 500 x 25 x 5               | 771.010                  | 771.015                     | 776.568                 |
| 1000 x 30 x 6              | 771.011                  | 771.016                     | 776.468                 |
| 1500 x 30 x 6              | 771.012                  | 771.017                     | 776.561                 |
| 2000 x 40 x 8              | 771.013                  | 771.018                     | 776.562                 |
| 3000 x 40 x 8              | 771.014                  | 771.019                     | 776.563                 |

**Rulers**

- Measuring range: 0- 3000 mm.
- Graduation: 1 mm.
- Material: bright steel or stainless steel.
- No graduation on first 5 mm at both ends.
- Accuracy and construction according DIN 866 form A.



| Dimensions<br>l x w x t/mm | Bright steel<br>Item No. | Stainless steel<br>Item No. | Wooden case<br>Item No. |
|----------------------------|--------------------------|-----------------------------|-------------------------|
| 500 x 30 x 6               | 776.280                  | 776.371                     | 776.568                 |
| 1000 x 40 x 8              | 776.281                  | 776.366                     | 776.468                 |
| 1500 x 40 x 8              | 776.282                  | 776.289                     | 776.561                 |
| 2000 x 50 x 10             | 776.283                  | 776.399                     | 776.562                 |
| 3000 x 50 x 10             |                          | 776.369                     |                         |

**Rulers**

- Measuring range: 0- 4000 mm.
- Graduation: 1 mm.
- Material: bright steel or stainless steel.
- Zero coincides with left end.
- Accuracy and construction according DIN 866 form B.



| Dimensions<br>l x w x t/mm | Bright steel<br>Item No. | Stainless steel<br>Item No. | Wooden case<br>Item No. |
|----------------------------|--------------------------|-----------------------------|-------------------------|
| 500 x 25 x 5               | 776.270                  | 776.276                     | 776.568                 |
| 1000 x 30 x 6              | 776.271                  | 776.277                     | 776.468                 |
| 1500 x 30 x 6              | 776.272                  | 776.360                     | 776.561                 |
| 2000 x 40 x 8              | 776.273                  | 776.373                     | 776.562                 |
| 3000 x 40 x 8              | 776.274                  | 776.357                     |                         |
| 4000 x 50 x 10             |                          | 776.410                     |                         |

**Rulers**

Rulers with beveled edge for parallax-free reading.

- Measuring range: 0- 2000 mm.
- Graduation: 1 mm.
- Accuracy according DIN 866 form B.
- Bright steel or stainless steel.
- Zero coincides with left end.



| Dimensions<br>l x w x t/mm | Bright steel<br>Item No. | Stainless steel<br>Item No. | Wooden case<br>Item No. |
|----------------------------|--------------------------|-----------------------------|-------------------------|
| 500 x 30 x 6               | 776.416                  | 776.250                     | 776.568                 |
| 1000 x 40 x 8              | 776.417                  | 776.251                     | 776.468                 |
| 1500 x 40 x 8              | 776.398                  | 776.252                     | 776.561                 |
| 2000 x 50 x 10             | 776.418                  |                             | 776.562                 |

**Rulers**

Rulers with beveled edge for parallax-free reading.

- Measuring range: 0- 2000 mm.
- Graduation: 1 mm.
- Material: bright steel.
- Zero coincides with left end.
- With hanger hole.



| Item No. | Dimensions l x w x t/mm |
|----------|-------------------------|
| 910.216  | 300 x 40 x 5            |
| 910.217  | 500 x 40 x 5            |
| 910.218  | 1000 x 40 x 5           |
| 910.219  | 1500 x 40 x 5           |
| 910.220  | 2000 x 50 x 5           |



**Aluminum rulers**

- Measuring range: 0- 1000 mm.
- Graduation: 1 mm.
- Material: anodized aluminum.
- Zero coincides with left end.
- With hanger hole.



| Item No. | Dimensions l x w x t/mm |
|----------|-------------------------|
| 906.615  | 300 x 50 x 5            |
| 906.616  | 600 x 50 x 5            |
| 906.617  | 1000 x 50 x 5           |

**Aluminum rulers**

- Measuring range: 0- 1000 mm.
- Graduation: 1 mm.
- Material: anodized aluminum.
- With hanger hole.



| Item No.                        | Dimensions l x w x t/mm |
|---------------------------------|-------------------------|
| 775.590                         | 300 x 35 x 5            |
| 775.592                         | 600 x 35 x 5            |
| 775.593                         | 1000 x 35 x 5           |
| <b>With handle and magnets:</b> |                         |
| 775.600                         | 450 x 50 x 5            |
| 775.602                         | 1000 x 50 x 5           |

**Stainless steel rulers**

- Measuring range: 0- 3000 mm.
- Graduation: 1 mm.
- Matt chrome-plated stainless steel surface.
- With mm graduation on the upper edge.
- With 0.5 mm graduation on the lower edge.



| Item No.   | Dimensions<br>l x w x t/mm |
|--|----------------------------|
| <b>With mm/0.5 mm graduation:</b>                            |                            |
| 775.584  | 1000 x 35 x 1.2            |
| 775.585  | 1500 x 40 x 2              |
| 775.586  | 2000 x 40 x 2              |
| <b>With mm/mm graduation:</b>                                |                            |
| The first 100 mm on the lower edge have a 0.5 mm graduation. |                            |
| 775.303  | 1000 x 35 x 1.5            |
| 775.304  | 2000 x 41 x 2              |
| 775.305  | 3000 x 39 x 3              |

**Stainless steel rulers**

- Measuring range: 0- 1000 mm.
- Graduation: 1 mm on the front side on the upper and lower edges, 0.5 mm on the back side on the upper and lower edges.
- Matt chrome-plated stainless steel surface.
- EC class II.
- Etched graduation.



| Item No. | Dimensions<br>l x w x t/mm |
|----------|----------------------------|
| 910.323  | 300 x 30 x 1               |
| 910.324  | 500 x 30 x 1               |
| 910.325  | 1000 x 30 x 1              |

**Self-adhesive rulers**

- Measuring range: 0- 400 mm.
- Graduation: 1 mm, vernier: 0.1 mm.
- Blue anodized aluminum.
- With self-adhesive back.
- Suitable for positioning on measuring devices and machine elements.

- Vernier 0.1 mm**
- 10 scale deviations on 9 mm.
- Non-adhesive, furnished with two fixing holes ø2.5 mm.

| Item No. | Measuring range/mm | Dimensions<br>l x w x t/mm |
|----------|--------------------|----------------------------|
| 775.901  | 0-200              | 208 x 16 x 0.5             |
| 775.902  | 0-300              | 308 x 16 x 0.5             |
| 775.903  | 0-400              | 408 x 16 x 0.5             |
| 775.900  | Vernier 0.1 mm     | 40 x 10 x 0.5              |

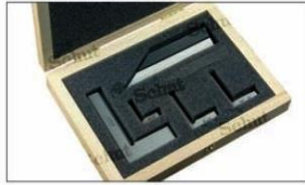
### Toolmakers' sets

Consisting of:

- 1 beveled straight edge: 100 mm,
- 1 flat beveled edge square: 75 x 50 mm,
- 1 flat beveled edge square: 40 x 28 mm,
- 1 flat beveled edge square: 25 x 20 mm,
- 1 scriber: 8 x 8 x 60 mm.

Consisting of:

- 1 beveled straight edge: 100 mm,
- 1 flat beveled edge square: 75 x 50 mm,
- 1 flat beveled edge square: 40 x 28 mm,
- 1 flat beveled edge square: 25 x 20 mm,
- 1 flat beveled edge square: 40 x 28 mm (90°30').



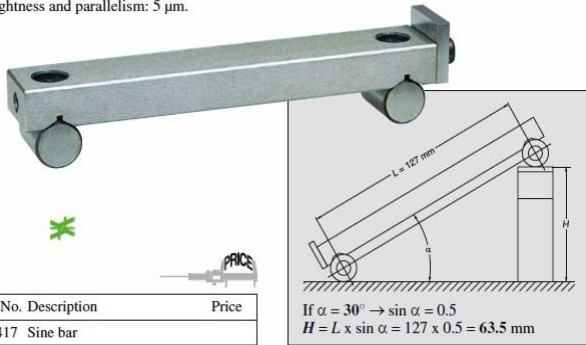
| Item No. | Description     | Price |
|----------|-----------------|-------|
| 852.201  | Toolmakers' set |       |

| Item No. | Description     | Price |
|----------|-----------------|-------|
| 852.202  | Toolmakers' set |       |

### Sine bar

By means of a sine bar and with gauge blocks, a reference plane can be created ( $l=150$  mm,  $w=25$  mm) at an angle of  $0^\circ$  to  $60^\circ$  with respect to the base. The base of the sine bar consists of two rollers with a center to center distance of  $127 \pm 0.004$  mm. In order to make a curve the gauge blocks are placed under one of the rollers.

- Straightness and parallelism: 5  $\mu$ m.



| Item No. | Description | Price |
|----------|-------------|-------|
| 909.417  | Sine bar    |       |

### Beveled straight edges

- Straightness tolerance according DIN 874/00.
- Hardened and ground.
- Lapped measuring faces.
- With insulated grip over the entire length.



| Item No.             | Length/mm | Price |
|----------------------|-----------|-------|
| <b>Bright steel:</b> |           |       |
| 772.075              | 75        |       |
| 772.100              | 100       |       |
| 772.125              | 125       |       |
| 772.150              | 150       |       |
| 772.200              | 200       |       |
| 772.300              | 300       |       |
| 772.400              | 400       |       |
| 772.500              | 500       |       |

| Item No.                | Length/mm | Price |
|-------------------------|-----------|-------|
| <b>Stainless steel:</b> |           |       |
| 772.076                 | 75        |       |
| 772.101                 | 100       |       |
| 772.126                 | 125       |       |
| 772.151                 | 150       |       |
| 772.201                 | 200       |       |
| 772.301                 | 300       |       |
| 772.401                 | 400       |       |
| 772.501                 | 500       |       |

### Beveled straight edges

- Straightness tolerance according DIN 874/00.
- Hardened and ground.
- Lapped measuring faces.
- With insulated grip over the entire length.



| Item No.                      | Length/mm | Price |
|-------------------------------|-----------|-------|
| <b>Chrome finished steel:</b> |           |       |
| 907.750                       | 75        |       |
| 907.751                       | 100       |       |
| 907.752                       | 125       |       |
| 907.753                       | 150       |       |
| 907.754                       | 200       |       |
| 907.755                       | 300       |       |
| 907.756                       | 400       |       |
| 907.765                       | 500       |       |
| 909.237                       | 600       |       |

| Item No.                | Length/mm | Price |
|-------------------------|-----------|-------|
| <b>Stainless steel:</b> |           |       |
| 907.757                 | 75        |       |
| 907.758                 | 100       |       |
| 907.759                 | 125       |       |
| 907.760                 | 150       |       |
| 907.761                 | 200       |       |
| 907.762                 | 300       |       |
| 907.763                 | 400       |       |
| 907.764                 | 500       |       |
| 909.240                 | 600       |       |

OUTRA REGUAS - FAVOR CONSULTAR