



CACONETES MACHOS TARRACHAS - BSW

CAÇONETES REDONDOS - BSW

HSS DIREITOS

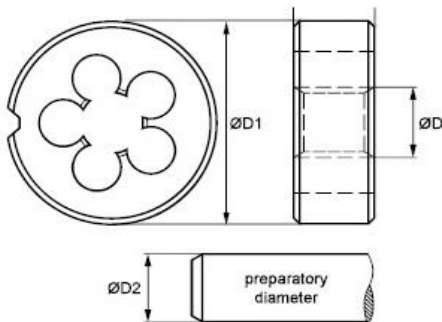
HSS ESQUERDOS

**HSSE - INOX
POR CONSULTA**

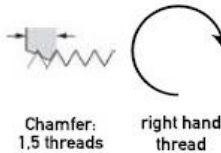
BSW

British standard BS 84
whitworth coarse thread

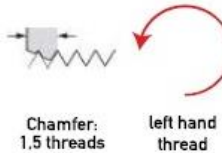
Round Dies



Round Dies
for general use



Round Dies
for general use
Left Hand



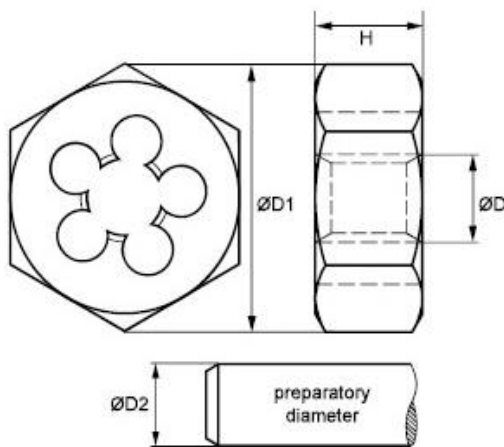
BSW

	D	D1	H	D2	No.	€	No.	€
BSW 3/32 x 48	2,38	16	5	2,30	211401002	11,69		
BSW 1/8 x 40	3,18	20	5	3,09	211401003	11,69	211402001	18,04
BSW 5/32 x 32	3,97	20	5	3,88	211401004	11,69	211402002	18,04
BSW 3/16 x 24	4,76	20	7	4,66	211401005	11,69	211402003	18,04
BSW 7/32 x 24	5,56	20	7	5,46	211401006	11,69		
BSW 1/4 x 20	6,35	20	7	6,24	211401007	11,69	211402004	18,04
BSW 5/16 x 18	7,94	25	9	7,82	211401008	13,36	211402005	21,05
BSW 3/8 x 16	9,53	30	11	9,40	211401009	14,82	211402006	25,62
BSW 7/16 x 14	11,11	30	11	10,98	211401010	17,15	211402007	25,62
BSW 1/2 x 12	12,70	38	14	12,56	211401011	19,27	211402008	40,09
BSW 9/16 x 12	14,29	38	14	14,14	211401012	23,84	211402009	40,09
BSW 5/8 x 11	15,88	45	18	15,72	211401013	26,06	211402010	51,24
BSW 3/4 x 10	19,05	45	18	18,89	211401014	26,06	211402011	51,24
BSW 7/8 x 9	22,23	55	22	22,10	211401015	44,54	211402012	74,62
BSW 1" x 8	25,40	55	22	25,27	211401016	44,54	211402013	74,62
BSW 1.1/8 x 7	28,58	65	25	28,44	211401017	67,39		
BSW 1.1/4 x 7	31,75	65	25	31,61	211401018	67,39		
BSW 1.3/8 x 6	34,93	65	25	34,77	211401019	67,39		
BSW 1.1/2 x 6	38,10	65	25	37,95	211401020	67,39		
BSW 1.1/2 x 6	38,10	75	30	37,95	211401021	120,29		
BSW 1.5/8 x 5	41,28	75	30	41,11	211401022	120,29		
BSW 1.3/4 x 5	44,45	90	36	44,28	211401023	183,77		
BSW 1.7/8 x 4,5	47,63	90	36	47,46	211401024	183,77		
BSW 2" x 4,5	50,80	90	36	50,63	211401025	183,77		
BSW 2.1/4 x 4	57,15	105	36	56,98	211401026	473,35		
BSW 2.1/2 x 4	63,50	105	36	63,34	211401027	473,35		
BSW 2.3/4 x 3,5	69,85	120	36	69,68	211401028	580,26		
BSW 3" x 3,5	76,20	120	36	76,03	211401029	580,26		

BSW

British standard BS 84
whitworth coarse thread

Hexagon Die Nuts

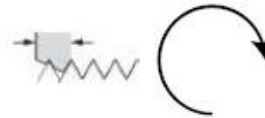


Hexagon Die Nuts for general use



material:
HSS

2A



Chamfer:
1,5 threads

right hand
thread



BSW

	D	D1	H	D2	No.	€
BSW 1/8 x 40	3,18	20	5	3,09	211501001	14,48
BSW 3/16 x 24	4,76	20	7	4,66	211501002	14,48
BSW 1/4 x 20	6,35	20	7	6,24	211501003	14,48
BSW 5/16 x 18	7,94	25	9	7,82	211501004	15,03
BSW 3/8 x 16	9,53	30	11	9,40	211501005	18,16
BSW 7/16 x 14	11,11	30	11	10,98	211501006	18,16
BSW 1/2 x 12	12,70	38	14	12,56	211501007	22,27
BSW 9/16 x 12	14,29	38	14	14,14	211501008	22,27
BSW 5/8 x 11	15,88	45	18	15,72	211501009	30,41
BSW 3/4 x 10	19,05	45	18	18,89	211501010	30,41
BSW 7/8 x 9	22,23	55	22	22,10	211501011	63,16
BSW 1" x 8	25,40	55	22	25,27	211501012	63,16
BSW 1.1/8 x 7	28,58	65	25	28,44	211501013	95,79
BSW 1.1/4 x 7	31,75	65	25	31,61	211501014	95,79
BSW 1.3/8 x 6	34,93	65	25	34,77	211501015	95,79
BSW 1.1/2 x 6	38,10	65	25	37,95	211501016	114,72
BSW 2" x 4,5	50,80	90	36	50,63	211501017	150,35
BSW 2.1/4 x 4	57,15	105	36	56,98	211501018	529,05
BSW 2.1/2 x 4	63,50	105	36	63,34	211501019	529,05
BSW 2.3/4 x 3,5	69,85	120	36	69,68	211501020	654,88
BSW 3" x 3,5	76,20	120	36	76,03	211501021	654,88

Thread Cutting Kits with Taps, Dies and Tools

BSW

British standard BS 84
whitworth coarse thread

Hand-Tap Sets, Round Dies and Tools Sets
(example picture)



Set BSW 1/8" - 1/2"		€/Set
HSSG Hand Tap Sets & HSS Round Dies & Tools		
HSSG Hand Tap Sets (3 parts)	BSW 1/8 x 40 BSW 3/16 x 24 BSW 1/4 x 20 BSW 5/16 x 18 BSW 3/8 x 16 BSW 7/16 x 14 BSW 1/2 x 12	322,00 € Item No.: 26480310
HSS Round Dies	BSW 1/8 x 40 BSW 3/16 x 24 BSW 1/4 x 20 BSW 5/16 x 18 BSW 3/8 x 16 BSW 7/16 x 14 BSW 1/2 x 12	
adjustable Tap Wrenches - zinc die cast	M 1-10 1/16-3/8 G 1/8 & M 4-12 5/32-1/2 G 1/8	
Die Stocks - zinc die cast	20 x 5 20 x 7 25 x 9 30 x 11 38 x 14	
Screw extractor		

Set BSW 1/4" - 1/2"		€/Set
HSSG Hand Tap Sets & HSS Round Dies & Tools		
HSSG Hand Tap Sets (3 parts)	BSW 1/4 x 20 BSW 5/16 x 18 BSW 3/8 x 16 BSW 7/16 x 14 BSW 1/2 x 12	275,00 € Item No.: 264803110
HSS Round Dies	BSW 1/4 x 20 BSW 5/16 x 18 BSW 3/8 x 16 BSW 7/16 x 14 BSW 1/2 x 12	
adjustable Tap Wrenches - zinc die cast	M 1-10 1/16-3/8 G 1/8 & M 4-12 5/32-1/2 G 1/8	
Die Stocks - zinc die cast	20 x 7 25 x 9 30 x 11 38 x 14	
Screw extractor		

Set BSW 1/4" - 3/4"		€/Set
HSSG Hand Tap Sets & HSS Round Dies & Tools		
HSSG Hand Tap Sets (3 parts)	BSW 1/4 x 20 BSW 5/16 x 18 BSW 3/8 x 16 BSW 7/16 x 14 BSW 1/2 x 12 BSW 5/8 x 11 BSW 3/4 x 10	485,00 € Item No.: 264803210
HSS Round Dies	BSW 1/4 x 20 BSW 5/16 x 18 BSW 3/8 x 16 BSW 7/16 x 14 BSW 1/2 x 12 BSW 5/8 x 11 BSW 3/4 x 10	
adjustable Tap Wrenches - zinc die cast	M 1-10 1/16-3/8 G 1/8 & M 5-20 7/32-3/4 G 1/8-1/2	
Die Stocks - zinc die cast	20 x 7 25 x 9 30 x 11 38 x 14 45 x 18	
Screw extractor		

Set BSW 1/4" - 1"		€/Set
HSSG Hand Tap Sets & HSS Round Dies & Tools		
HSSG Hand Tap Sets (3 parts)	BSW 1/4 x 20 BSW 5/16 x 18 BSW 3/8 x 16 BSW 7/16 x 14 BSW 1/2 x 12 BSW 5/8 x 11 BSW 3/4 x 10 BSW 7/8 x 9	725,00 € Item No.: 264803410
HSS Round Dies	BSW 1/4 x 20 BSW 5/16 x 18 BSW 3/8 x 16 BSW 7/16 x 14 BSW 1/2 x 12 BSW 5/8 x 11 BSW 3/4 x 10 BSW 7/8 x 9	
adjustable Tap Wrenches - zinc die cast	M 1-10 1/16-3/8 G 1/8 & M 11-27 7/16-1" G 1/4-3/4	
Die Stocks - zinc die cast	20 x 7 25 x 9 30 x 11 38 x 14 45 x 18 55 x 22	
Screw extractor		

Set BSW 1/4" - 1.1/2"		€/Set
HSSG Hand Tap Sets & HSS Round Dies & Tools		
HSSG Hand Tap Sets (3 parts)	BSW 1/4 x 20 BSW 5/16 x 18 BSW 3/8 x 16 BSW 7/16 x 14 BSW 1/2 x 12 BSW 5/8 x 11 BSW 3/4 x 10 BSW 7/8 x 9	1733,00 € Item No.: 264803510
HSS Round Dies	BSW 1/4 x 20 BSW 5/16 x 18 BSW 3/8 x 16 BSW 7/16 x 14 BSW 1/2 x 12 BSW 5/8 x 11 BSW 3/4 x 10 BSW 7/8 x 9	
adjustable Tap Wrenches - zinc die cast	M 1-10 1/16-3/8 G 1/8 & M 5-20 7/32-3/4 G 1/8-1/2 & M 13-32 1/2-1.1/4" G 1/4-1"	
Die Stocks - zinc die cast	20 x 7 25 x 9 30 x 11 38 x 14 45 x 18 55 x 22 65 x 25	
Screw extractor		



Thread Cutting Kits with Taps and Dies

Short Machine Taps and Round Dies

Sets BSW 1/4" - 1/2" (example picture)

British standard BS 84
whitworth coarse thread

BAER Set BSW 1/4" - 1/2"		€/Set
HSSG Short Machine Taps & Drill bits for core holes		
HSS Round Dies		168,21 € Item No.: BES4
BAER HSSG Short Machine Tap Form D for through hole & blind hole (up to 4 x D)	BSW 1/4 x 20 BSW 5/16 x 18 BSW 3/8 x 16 BSW 7/16 x 14 BSW 1/2 x 12	
BAER HSSG Drill bits for core holes	5,1 mm 6,5 mm 7,9 mm 9,3 mm 10,5 mm	
BAER HSS Round Dies	BSW 1/4 x 20 BSW 5/16 x 18 BSW 3/8 x 16 BSW 7/16 x 14 BSW 1/2 x 12	

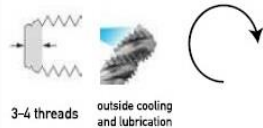
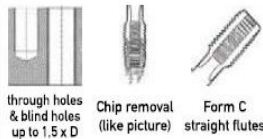
BSW British standard BS 84
whitworth coarse thread

Hand Tap Sets

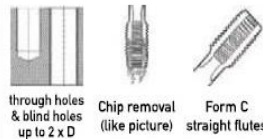
Efficient internal thread cutting.
The short structural type makes that tap usable by hand.

A Hand-Tap-Set includes 3 taps:
Taper Tap
Intermediate Tap
Finish Tap

Short Machine Taps
Form D for through holes
and blind holes

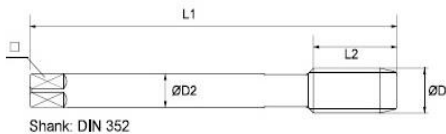
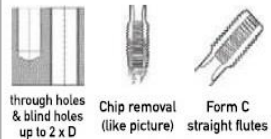


Hand Tap Sets
for general use



Hand Tap Sets
for general use

Left Hand



BSW	D1	D2	L1	L2	□	🔩	No.	€	No.	€	No.	€
BSW 1/16 x 60	1,59	2,5	36	10	2,1	1,20	210101001	10,26	210301001	20,05		
BSW 3/32 x 48	2,38	2,8	36	10	2,1	1,90	210101002	8,28	210301002	16,04		
BSW 1/8 x 40	3,18	3,5	40	12	2,7	2,60	210101003	7,38	210301003	14,37	210302001	23,06
BSW 5/32 x 32	3,97	4,5	45	14	3,4	3,20	210101004	7,38	210301004	14,37	210302002	23,06
BSW 3/16 x 24	4,76	6,0	50	18	4,9	3,80	210101005	7,20	210301005	14,03	210302003	23,06
BSW 7/32 x 24	5,56	6,0	50	18	4,9	4,60	210101006	7,20	210301006	14,03		
BSW 1/4 x 20	6,35	6,0	50	19	4,9	5,10	210101007	7,20	210301007	14,03	210302004	23,06
BSW 5/16 x 18	7,94	6,0	56	22	4,9	6,50	210101008	8,10	210301008	15,71	210302005	24,06
BSW 3/8 x 16	9,53	7,0	70	24	5,5	7,90	210101009	8,99	210301009	17,37	210302006	28,07
BSW 7/16 x 14	11,11	8,0	70	24	6,2	9,30	210101010	11,33	210301010	22,05	210302007	34,42
BSW 1/2 x 12	12,70	9,0	75	29	7,0	10,50	210101011	13,67	210301011	26,73	210302008	41,10
BSW 9/16 x 12	14,29	11,0	80	30	9,0	12,00	210101012	17,99	210301012	35,08	210302009	53,46
BSW 5/8 x 11	15,88	12,0	80	32	9,0	13,50	210101013	20,15	210301013	39,43	210302010	60,81
BSW 3/4 x 10	19,05	14,0	95	40	11,0	16,50	210101014	26,99	210301014	52,79	210302011	81,19
BSW 7/8 x 9	22,23	18,0	100	40	14,5	19,50	210101015	35,98	210301015	70,17	210302012	101,24
BSW 1" x 8	25,40	18,0	110	50	14,5	22,00	210101016	41,38	210301016	80,86	210302013	121,62
BSW 1,1/8 x 7	28,58	22,0	132	56	18,0	25,00	210101017	63,87	210301017	124,63		
BSW 1,1/4 x 7	31,75	22,0	132	56	18,0	28,00	210101018	71,97	210301018	140,34		
BSW 1,3/8 x 6	34,93	28,0	150	63	22,0	30,50	210101019	93,55	210301019	182,43		
BSW 1,1/2 x 6	38,10	32,0	150	63	24,0	33,50	210101020	107,95	210301020	210,50		
BSW 1,5/8 x 5	41,28	32,0	160	70	24,0	35,50	210101021	215,90	210301021	421,00		
BSW 1,3/4 x 5	44,45	36,0	160	70	29,0	39,00	210101022	215,90	210301022	421,00		
BSW 1,7/8 x 4,5	47,63	36,0	190	80	29,0	41,50	210101023	280,67	210301023	547,98		
BSW 2" x 4,5	50,80	40,0	190	80	32,0	44,50	210101024	280,67	210301024	547,98		
BSW 2,1/4 x 4	57,15	45,0	220	80	35,0	50,00	210101025	611,71	210301025	1303,14		
BSW 2,1/2 x 4	63,50	50,0	220	80	39,0	56,50	210101026	782,62	210301026	1737,44		
BSW 2,3/4 x 3,5	69,85	50,0	240	80	39,0	62,00	210101027	2015,03	210301027	4343,57		
BSW 3" x 3,5	76,20	50,0	260	80	39,0	68,00	210101028	2590,75	210301028	5345,95		

MACHOS MAQUINA
- BSW -

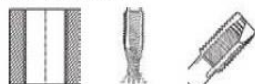
SP-HSSE
DIN371- DIN376

SF-HSSE
DIN371- DIN376

BSW British standard BS 84
whitworth coarse thread

Machine Taps

Machine Tap
for general use
in through hole



through holes up to 4 x D
Chip removal (like picture)
Form B with spiral point



material: HSSE
medium
to 900 N/mm²
27.1 HRC



4-5 threads
outside cooling and lubrication

through holes

Machine Tap
for general use
in blind hole



blind holes up to 3 x D
Chip removal (like picture)
Form C 35° spiral flute

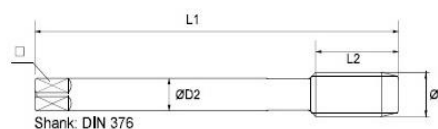
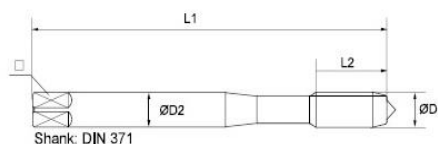


material: HSSE
medium
to 900 N/mm²
27.1 HRC



2-3 threads
outside cooling and lubrication

blind holes



BSW

D1 D2 L1 L2 □

No. €

D1 D2 L1 L2 □

No. €

DIN 371	D1	D2	L1	L2	□	No.	€	
BSW 1/8 x 40	3,18	3,5	56	11	2,7	2,60	210401001	9,58
BSW 5/32 x 32	3,97	4,5	63	13	3,4	3,20	210401002	9,58
BSW 3/16 x 24	4,76	6,0	70	15	4,9	3,80	210401003	9,58
BSW 1/4 x 20	6,35	7,0	80	17	5,5	5,10	210401004	9,58
BSW 5/16 x 18	7,94	8,0	90	20	6,2	6,50	210401005	12,14
BSW 3/8 x 16	9,53	9,0	100	22	7,0	7,90	210401006	13,58
BSW 7/16 x 14	11,11	11,0	100	22	9,0	9,30	210401007	16,15
BSW 1/2 x 12	12,70	12,0	110	25	9,0	10,50	210401008	16,15

DIN 371	D1	D2	L1	L2	□	No.	€	
BSW 1/8 x 40	3,18	3,5	56	7	2,7		210601001	11,92
BSW 5/32 x 32	3,97	4,5	63	7	3,4		210601002	11,92
BSW 3/16 x 24	4,76	6,0	70	10	4,9		210601003	11,92
BSW 1/4 x 20	6,35	7,0	80	13	5,5		210601004	11,92
BSW 5/16 x 18	7,94	8,0	90	14	6,2		210601005	14,93
BSW 3/8 x 16	9,53	9,0	100	16	7,0		210601006	16,37
BSW 7/16 x 14	11,11	11,0	100	17	9,0		210601007	20,16
BSW 1/2 x 12	12,70	12,0	110	20	9,0		210601008	20,16

DIN 376	D1	D2	L1	L2	□	No.	€	
BSW 1/4 x 20	6,35	4,5	80	17	3,4	5,10	210401009	9,58
BSW 5/16 x 18	7,94	6,0	90	20	4,9	6,50	210401010	12,14
BSW 3/8 x 16	9,53	7,0	100	22	5,5	7,90	210401011	13,58
BSW 7/16 x 14	11,11	8,0	100	22	6,2	9,30	210401012	16,15
BSW 1/2 x 12	12,70	9,0	110	25	7,0	10,50	210401013	16,15
BSW 9/16 x 12	14,29	11,0	110	26	9,0	12,00	210401014	24,62
BSW 5/8 x 11	15,88	12,0	110	27	9,0	13,50	210401015	24,62
BSW 3/4 x 10	19,05	14,0	125	30	11,0	16,50	210401016	47,89
BSW 7/8 x 9	22,23	18,0	140	32	14,5	19,50	210401017	57,92
BSW 1" x 8	25,40	20,0	160	36	16,0	22,00	210401018	65,71
BSW 1.1/4 x 7	31,75	22,0	180	40	18,0	28,00	210401019	91,88
BSW 1.3/8 x 6	34,93	28,0	200	50	22,0	30,50	210401020	191,56
BSW 1.1/2 x 6	38,10	32,0	200	50	24,0	33,50	210401021	191,56

DIN 376	D1	D2	L1	L2	□	No.	€	
BSW 1/4 x 20	6,35	4,5	80	13	3,4		210601009	11,92
BSW 5/16 x 18	7,94	6,0	90	14	4,9		210601010	14,93
BSW 3/8 x 16	9,53	7,0	100	16	5,5		210601011	16,37
BSW 7/16 x 14	11,11	8,0	100	17	6,2		210601012	20,16
BSW 1/2 x 12	12,70	9,0	110	20	7,0		210601013	20,16
BSW 9/16 x 12	14,29	11,0	110	20	9,0		210601014	29,73
BSW 5/8 x 11	15,88	12,0	110	22	9,0		210601015	29,73
BSW 3/4 x 10	19,05	14,0	125	25	11,0		210601016	59,26
BSW 7/8 x 9	22,23	18,0	140	27	14,5		210601017	72,39
BSW 1" x 8	25,40	20,0	160	30	16,0		210601018	81,31
BSW 1.1/4 x 7	31,75	22,0	180	35	18,0		210601019	103,58
BSW 1.3/8 x 6	34,93	28,0	200	40	22,0		210601020	226,09
BSW 1.1/2 x 6	38,10	32,0	200	40	24,0		210601021	226,09