

PROFESSIONAL TORQUE WRENCHES MODELS 650 - 1500 ADJUSTABLE & 'P' TYPE



For precision applications to 1500 N·m

- Exceptionally clear torque signal from unique mechanism
- Non length dependant so can be used with or without the supplied extension handle (optional on Model 650)
- Extension handle significantly reduces operator effort to achieve high torque values
- Accurate to $\pm 3\%$ of reading which meets the requirements of ISO6789-2:2017

2 ADJUSTABLE RATCHET - DUAL SCALE

14037	Pro 650, 3/4", 130 - 650 N·m, 100 - 480 lbf·ft
14015	Pro 800, 3/4", 200 - 800 N·m, 150 - 600 lbf·ft
14016	Pro 800, 1", 200 - 800 N·m, 150 - 600 lbf·ft
14002	Pro 1000, 3/4", 300 - 1000 N·m, 220 - 750 lbf·ft
14003	Pro 1000, 1", 300 - 1000 N·m, 220 - 750 lbf·ft
14004	Pro 1500, 3/4", 500 - 1500 N·m, 370 - 1100 lbf·ft
14005	Pro 1500, 1", 500 - 1500 N·m, 370 - 1100 lbf·ft

2 ADJUSTABLE RATCHET - N·m ONLY

14038	Pro 650, 3/4", 130 - 650 N·m
14024	Pro 800, 3/4", 200 - 800 N·m
14025	Pro 800, 1", 200 - 800 N·m
14026	Pro 1000, 3/4", 300 - 1000 N·m
14027	Pro 1000, 1", 300 - 1000 N·m
14028	Pro 1500, 3/4", 500 - 1500 N·m
14029	Pro 1500, 1", 500 - 1500 N·m

2 ADJUSTABLE RATCHET - lbf·ft ONLY

14044	Pro 650, 3/4", 100 - 480 lbf·ft
14045	Pro 800, 3/4", 150 - 600 lbf·ft
14046	Pro 800, 1", 150 - 600 lbf·ft
14047	Pro 1000, 3/4", 220 - 750 lbf·ft
14048	Pro 1000, 1", 220 - 750 lbf·ft
14049	Pro 1500, 3/4", 370 - 1100 lbf·ft
14050	Pro 1500, 1", 370 - 1100 lbf·ft



2 TORQUE HANDLE ADJUSTABLE - DUAL SCALE

14040	Pro 650, 22mm spigot, 130 - 650 N·m, 100 - 480 lbf·ft
-------	-------------------------------------------------------



2 FEMALE TORQUE HANDLE ADJUSTABLE - DUAL SCALE

14041	Pro 650, 14 x 18mm, 130 - 650 N·m, 100 - 480 lbf·ft
-------	-----------------------------------------------------



2 RATCHET PRODUCTION 'P' TYPE (Must be set using a Torque Tester, see pages 76 - 83)

14039	Pro 650, 3/4", 130 - 650 N·m, 100 - 480 lbf·ft
14017	Pro 800, 3/4", 200 - 800 N·m, 150 - 600 lbf·ft
14018	Pro 800, 1", 200 - 800 N·m, 150 - 600 lbf·ft
14007	Pro 1000, 3/4", 300 - 1000 N·m, 220 - 750 lbf·ft
14008	Pro 1000, 1", 300 - 1000 N·m, 220 - 750 lbf·ft
14009	Pro 1500, 3/4", 500 - 1500 N·m, 370 - 1100 lbf·ft
14010	Pro 1500, 1", 500 - 1500 N·m, 370 - 1100 lbf·ft
SQ2222	Pre-set, etch and certify (Allow 3 days delivery for this service)



8 MODELS 650-1500 ACCESSORY

14142	Extension Handle (included with 800-1500 Models as standard)
-------	--------------------------------------------------------------



2 TORQUE HANDLE PRODUCTION 'P' TYPE (Must be set using a Torque Tester, see pages 76 - 83)

14042	Pro 650, 22mm spigot, 130 - 650 N·m, 100 - 480 lbf·ft
SQ2222	Pre-set, etch and certify (Allow 3 days delivery for this service)



2 FEMALE TORQUE HANDLE PRODUCTION 'P' TYPE (Must be set using a Torque Tester, see pages 76 - 83)

14043	Pro 650, 14 x 18mm, 130 - 650 N·m, 100 - 480 lbf·ft
SQ2222	Pre-set, etch and certify (Allow 3 days delivery for this service)



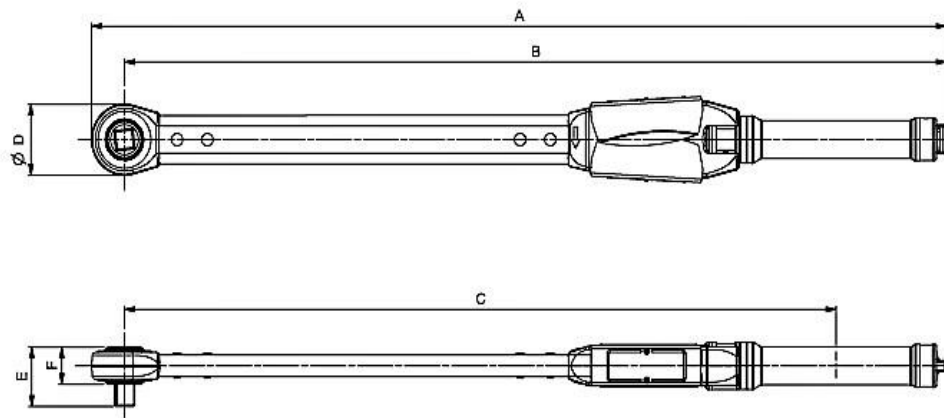
All models supplied in carry case

PROFESSIONAL TORQUE WRENCHES MODELS 650 - 1500 ADJUSTABLE AND 'P' TYPE



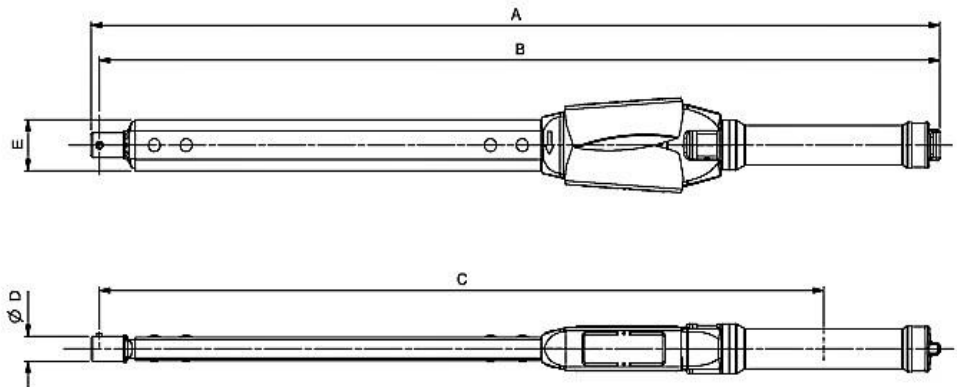
Push-Through Ratchet

Model	Pro 650	Pro 800 ¾"	Pro 800 1"	Pro 1000 ¾"	Pro 1000 1"	Pro 1500 ¾"	Pro 1500 1"	Pro 650	Pro 800 ¾" 'P' Type	Pro 800 1" 'P' Type	Pro 1000 ¾" 'P' Type	Pro 1000 1" 'P' Type	Pro 1500 ¾" 'P' Type	Pro 1500 1" 'P' Type	
Part Number/s	14037 14038 14044	14015 14024 14045	14016 14025 14046	14002 14026 14047	14003 14027 14048	14004 14028 14049	14005 14029 14050	14039	14017	14018	14007	14008	14009	14010	
Dimensions (mm)	A	856	1037	1037	1245	1245	1571	1571	848	1030	1030	1238	1238	1563	1563
	B	823	999	999	1208	1208	1533	1533	816	992	992	1201	1201	1526	1526
	C	713	889	889	1097	1097	1423	1422	713	889	889	1097	1097	1424	1423
	∅D	66	75	75	75	75	75	75	66	75	75	75	75	75	75
	E	56	58	66	58	66	58	66	55	58	66	58	58	58	66
	F	30	33	33	38	38	38	38	35	38	38	38	38	38	38
Weight (Kg)	4	5.2	5.2	5.8	5.8	6.7	6.7	4	5.2	5.2	5.7	5.7	6.7	6.7	



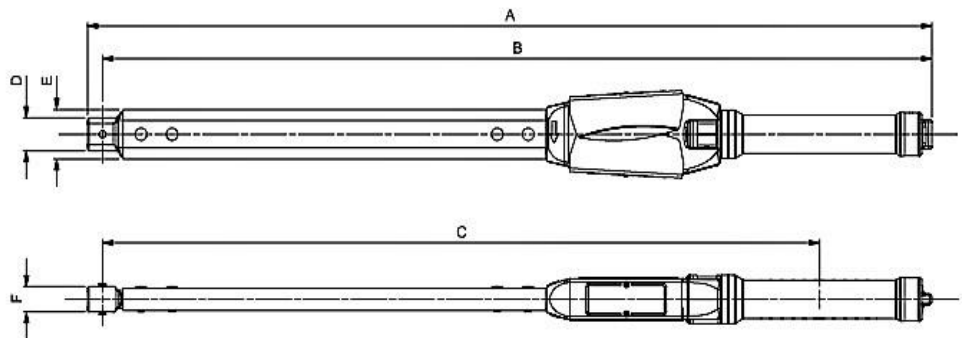
Spigot Torque Handle

Model	Pro 650	Pro 650 'P' Type
Part Number/s	14040	14042
Dimensions (mm)	A	807
	B	799
	C	688
	∅D	22
	E	45
Weight (Kg)	3.6	3.6



Female Torque Handle

Model	Pro 650	Pro 650 'P' Type
Part Number/s	14041	14043
Dimensions (mm)	A	830
	B	815
	C	704
	D	30
	E	45
	F	23
Weight (Kg)	3.6	3.6



NOTE: When using a 14142 Extension Handle add 495mm to dimensions 'A' and 'B', add 515mm to dimension C and add 1.6 Kg to the weight.

INDUSTRIAL 2R AND 2AR



A re-engineered, robust, easy to use industrial torque wrench. Ideal for light commercial vehicle maintenance.

- Unique profiled cam and reaction plate- gives much clearer 'torque break point' reducing the possibility of over torquing
- Robust construction gives accurate results, to $\pm 4\%$, even in arduous working conditions meeting the requirements of ISO 6789-1:2017
- Easy to read scale is shielded from dust, dirt and spray
- Integral pull-out adjustment bar - no additional torque setting tool required
- Push-through ratchet allows two direction torquing
- Provided with sturdy, padded fabric carry case with shoulder strap
- Easily replaceable ratchet - held in place with pin and clip
- New handle – more comfortable and guides operator's hand to correct position
- Tethering point allows the wrench to be attached to a harness

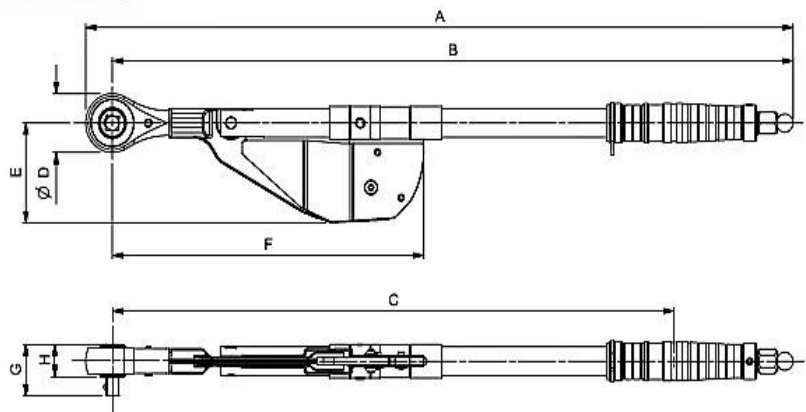


2	RATCHET ADJUSTABLE - DUAL SCALE
12110	2R, ½", 70 - 270 N·m, 50 - 200 lbf·ft
12111	2AR, ¾", 80 - 340 N·m, 60 - 250 lbf·ft

2	RATCHET ADJUSTABLE - lbf·ft ONLY
12112	2R, ½", 50 - 200 lbf·ft



Model	2R	2AR	
Part Number/s	12110 12112	12111	
Dimensions (mm)	A	690	784
	B	629	724
	C	548	643
	ØD	52	52
	E	89	89
	F	304	304
	G	45	45
	H	28	28
Weight (Kg)	2.65	3.00	



INDUSTRIAL TORQUE WRENCHES ADJUSTABLE AND 'P' TYPE



For ultimate torque control in heavy duty applications

- Unique 'break action' mechanism gives unparalleled control over the applied torque
- Perfect for wheel nuts and many other applications
- Accurate to $\pm 4\%$ of reading which meets the requirements of ISO 6789-1:2017
- Split versions available for when storage space is limited such as vehicle tool kits
- 2000 N·m 6R, see 'split' versions on page 28

2	RATCHET ADJUSTABLE - DUAL SCALE
12001	3AR, 3/4", 100 - 500 N·m, 70 - 350 lbf·ft
12001.01	3AR, 1", 100 - 500 N·m, 70 - 350 lbf·ft
12006	4R, 3/4", 150 - 700 N·m, 100 - 500 lbf·ft
12006.01	4R, 1", 150 - 700 N·m, 100 - 500 lbf·ft
12007	4AR, 3/4", 200 - 800 N·m, 150 - 600 lbf·ft
12007.01	4AR, 1", 200 - 800 N·m, 150 - 600 lbf·ft
12009	5R, 3/4", 300 - 1000 N·m, 200 - 750 lbf·ft
12009.01	5R, 1", 300 - 1000 N·m, 200 - 750 lbf·ft
12012	5AR, 3/4", 700 - 1500 N·m, 500 - 1000 lbf·ft
12012.01	5AR, 1", 700 - 1500 N·m, 500 - 1000 lbf·ft

2	RATCHET ADJUSTABLE - N·m ONLY
12105	4AR, 3/4", 200 - 800 N·m
12106	4AR, 1", 200 - 800 N·m
12107	5R, 3/4", 300 - 1000 N·m
12108	5R, 1", 300 - 1000 N·m

2	TORQUE HANDLE ADJUSTABLE - DUAL SCALE
12003*	No.4, 22mm spigot, 130 - 550 N·m, 100 - 400 lbf·ft

*Carry case not included



Production 'P' type versions are designed to discourage unauthorised alteration. They have no scale and so must be set against a torque testing device such as Norbar's TruCheck™ - see page 79.

- Unique 'break action' mechanism gives unparalleled control over the applied torque
- Perfect for wheel nuts and many other applications
- Accurate to $\pm 4\%$ of reading

2	RATCHET PRODUCTION 'P' TYPE (Must be set using a Torque Tester, see pages 76 - 83)
12015	3AR, 3/4", 100 - 500 N·m, 70 - 350 lbf·ft
12020	4R, 3/4", 150 - 700 N·m, 100 - 500 lbf·ft
12023	5R, 3/4", 300 - 1000 N·m, 200 - 750 lbf·ft
12002	5AR, 3/4", 700 - 1500 N·m, 500 - 1000 lbf·ft
SQ2222	Pre-set, etch and certify (Allow 3 days delivery for this service)



2	TORQUE HANDLE 'P' TYPE (Must be set using a Torque Tester, see pages 76 - 83)
12017*	No.4, P Type, 22mm spigot, 130 - 550 N·m, 100 - 400 lbf·ft
SQ2222	Pre-set, etch and certify (Allow 3 days delivery for this service)

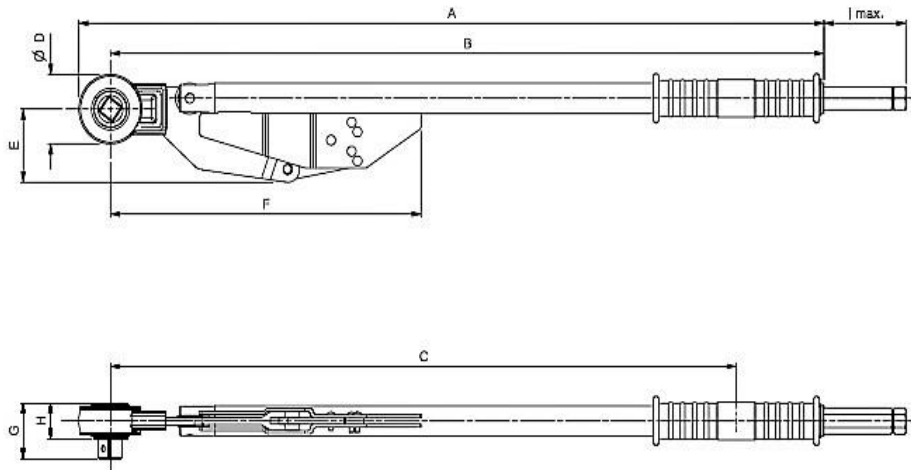
*Carry case not included

INDUSTRIAL TORQUE WRENCHES ADJUSTABLE AND 'P' TYPE



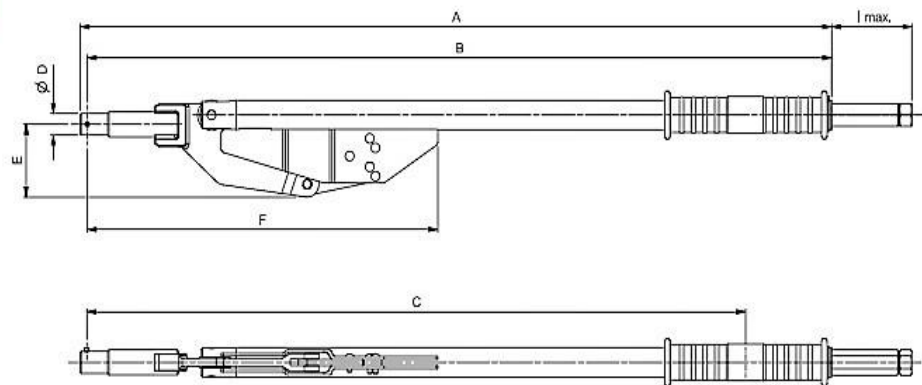
Industrial Push-Through Ratchets / Split / Bi-Square

Model	3AR	3AR 'P' Type	4R	4R 'P' Type	4R Split	4AR	5R	5R 'P' Type	5R Split	5AR	5AR 'P' Type	6R Split	Bi-Square	
Part Number/s	12001 12001.01	12015	12006 12006.01	12020	12102 12102.01	12007 12007.01 12105 12106	12009 12009.01 12107 12108	12023	12101 12101.01	12012 12012.01	12002	12100	12026	
Ratchet teeth	36	36	36	36	36	36	36	36	36	36	36	36	N/A	
Dimensions (mm)	A	808	811	1049	1052	1049	1149	1382	1385	1382	1382	1385	1802	1351
	B	773	777	1014	1018	1015	1114	1347	1351	1348	1347	1351	1767	1313
	C	678	678	919	919	915	1019	1252	1252	1248	1267	1267	1687	1218
	∅D	69	69	69	69	69	69	69	69	69	69	69	69	76
	E	73	73	73	73	73	73	73	73	73	73	73	73	73
	F	337	337	578	578	578	678	911	911	911	911	911	1331	877
	G	3/4" = 55 1" = 63	55	3/4" = 55 1" = 63	55	3/4" = 55 1" = 63	3/4" = 55 1" = 63	3/4" = 55 1" = 63	55	3/4" = 55 1" = 63	3/4" = 55 1" = 63	55	63	N/A
	H	35	35	35	35	35	35	35	35	35	35	35	35	N/A
I max.	105	N/A	105	N/A	105	105	105	N/A	105	105	N/A	105	105	
Weight (Kg)	5.2	5.2	6.3	6.3	6.3	6.4	7.3	7.3	7.3	10.4	10.4	13	7.1	



Spigot Torque Handle

Model	No.4	No.4 'P' Type	
Part Number/s	12003	12017	
Dimensions (mm)	A	833	837
	B	826	829
	C	731	731
	D	22	22
	E	73	73
	F	389	389
	G	N/A	N/A
	H	N/A	N/A
I max.	105	N/A	
Weight (Kg)	4.6	4.6	



INDUSTRIAL TORQUE WRENCHES - SPLIT



Split Industrials are supplied in two parts for easier transportation and storage, but can be assembled and disassembled in seconds.

2	RATCHET SPLIT ADJUSTABLE - DUAL SCALE
12102	4R, ¾", 150 - 700 N-m, 100 - 500 lbf-ft
12102.01	4R, 1", 150 - 700 N-m, 100 - 500 lbf-ft
12101	5R, ¾", 300 - 1000 N-m, 200 - 750 lbf-ft
12101.01	5R, 1", 300 - 1000 N-m, 200 - 750 lbf-ft
12100	6R, 1", 900 - 2000 N-m, 700 - 1500 lbf-ft



INDUSTRIAL TORQUE WRENCH - BI-SQUARE



The 1¹¹/₁₆" Bi-square version of the Industrial Torque Wrench was developed specifically with rail track maintenance in mind. The critical need of the rail industry is to reduce the chance of any object being left on the track. Fitting directly onto rail fishplate bolts means that no socket or square drive is required, two components that could potentially be separated from the regular version of the Industrial Torque Wrench.

Other versions of this tool available on request.

2	BI-SQUARE - DUAL SCALE
12026	1 ¹¹ / ₁₆ " Bi-Square, 300 - 1000 N-m, 200 - 750 lbf-ft

ELECTRODE WRENCHES



9	LOW RANGE
12506	8" (200mm) 312 N-m
12530	10" (250mm) 542 N-m
12531	12" (300mm) 780 N-m

Other models available on request.

9	HIGH RANGE
12532	14" (350mm) 1140 N-m
12533	16" (400mm) 1300 N-m
12535	18" (450mm) 1500 N-m
12536	20" (500mm) 2000 N-m
12537	22" (550mm) 2370 N-m
12538	24" (600mm) 2370 N-m
12538.HD	24" (600mm) 3200 N-m

For torque tightening of carbon electrodes.

Standard torque settings are shown. Other settings are available. The 8" diameter electrode wrench uses the professional torque handle as the control mechanism. Above 8" the Industrial wrench is used as the control mechanism.

