

TORQUE SCREWDRIVERS

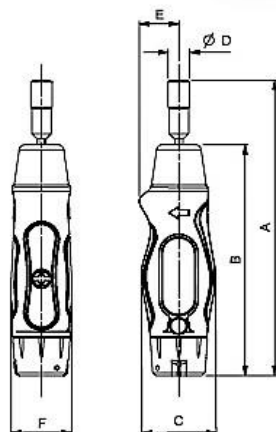


Versatile, accurate and easy torquing for smaller fasteners and restricted spaces

- Accuracy meets the requirements of ISO6789-1:2017
- Supplied with ¼" hexagon bit holder
- Single scale, either N·m or lbf·in



MODEL	ALL MODELS	
Dimensions (mm)	A	155
	B	121
	C	38
	ØD	11
	E	20
	F	31
Weight (Kg)	0.24	



2 ADJUSTABLE N·m

13850	TTs1.5 N·m, ¼", 0.3 - 1.5 N·m
13851	TTs3.0 N·m, ¼", 0.6 - 3 N·m
13852	TTs6.0 N·m, ¼", 1.2 - 6 N·m

2 ADJUSTABLE lbf·in

13853	TTs13 in·lb, ¼", 2.5 - 13 lbf·in
13854	TTs26 in·lb, ¼", 5 - 26 lbf·in
13855	TTs53 in·lb, ¼", 10 - 53 lbf·in

2 PRODUCTION 'P' TYPE

13856	TTs1.5, ¼", 0.3 - 1.5 N·m, 2.5 - 13 lbf·in
13857	TTs3.0, ¼", 0.6 - 3 N·m, 5 - 26 lbf·in
13858	TTs6.0, ¼", 1.2 - 6 N·m, 10 - 53 lbf·in
SQ2222	Pre-set, etch and certify (Allow 3 days delivery for this service)

2 ADJUSTABLE N·m KIT

13700	TTs0.3 - 1.5 N·m Kit with 12 piece bit set and case
13701	TTs0.6 - 3 N·m Kit with 12 piece bit set and case
13702	TTs1.2 - 6 N·m Kit with 12 piece bit set and case
28937	12 Piece ¼", Hex Bit Set

TT TORQUE WRENCHES



For no-nonsense torquing - comfortable, accurate and easy to use

- Accurate to ±3% of reading which meets the requirements of ISO6789-1:2017
- Micrometer scale for simple and error free setting
- All models feature a lock to prevent accidental adjustment of the set torque
- Handle and lens materials resistant to commonly used industrial chemicals



2 RATCHET ADJUSTABLE - DUAL SCALE

13830	TTI20 ¼", 4 - 20 N·m, 35 - 180 lbf·in
13831	TTI20 ⅜", 4 - 20 N·m, 35 - 180 lbf·in
13841	TTI50 ⅜", 10 - 50 N·m, 8 - 35 lbf·ft
13842	TTI50 ½", 10 - 50 N·m, 8 - 35 lbf·ft

2 RATCHET ADJUSTABLE - N·m ONLY

13832	TTI20 N·m ¼", 4 - 20 N·m
13833	TTI20 N·m ⅜", 4 - 20 N·m
13843	TTI50 N·m ⅜", 10 - 50 N·m
13844	TTI50 N·m ½", 10 - 50 N·m

2 RATCHET ADJUSTABLE - lbf·ft ONLY

13834	TTI15 ft·lb ¼", 35 - 180 lbf·in
13835	TTI15 ft·lb ⅜", 35 - 180 lbf·in
13845	TTI35 ft·lb ⅜", 8 - 35 lbf·ft
13846	TTI35 ft·lb ½", 8 - 35 lbf·ft

2 FIXED HEAD ADJUSTABLE

13836	TTf 20 ⅜", 4 - 20 N·m, 35 - 180 lbf·in
13837	TTf 20 N·m ⅜", 4 - 20 N·m (N·m ONLY)
13838	TTf 15 ft·lb ⅜", 35 - 180 lbf·in (lbf·in ONLY)

2 FEMALE TORQUE HANDLE ADJUSTABLE

13839	TTfth 20 9x12 mm, 4 - 20 N·m, 35 - 180 lbf·in
13847	TTfth 50 9x12 mm, 10 - 50 N·m, 8 - 35 lbf·ft
13840	TTfth 20 N·m 9x12 mm, 4 - 20 N·m (N·m ONLY)
13848	TTfth 50 N·m 9x12 mm, 10 - 50 N·m (N·m ONLY)

TTi TETHERED TORQUE WRENCHES



Features inbuilt tethering point to secure the tool for safe work at height and double sided locking plunger square

- Pinned head in line with DROPS recommendation for ultra safe handling of sockets when working at height
- Built on a trusted, versatile torque wrench design
- Micrometer scale for simple and error free setting
- Handle and lens materials resistant to commonly used industrial chemicals
- Lock feature helps prevent accidental adjustment of the set torque

2	RATCHET ADJUSTABLE - DUAL SCALE
13723	TTi100, 3/8", 20 - 100 N-m, 15 - 75 lbf-ft
13724	TTi200, 1/2", 40 - 200 N-m, 30 - 150 lbf-ft
13725	TTi300, 1/2", 60 - 300 N-m, 45 - 220 lbf-ft

TTi NON-MAGNETIC TORQUE WRENCHES



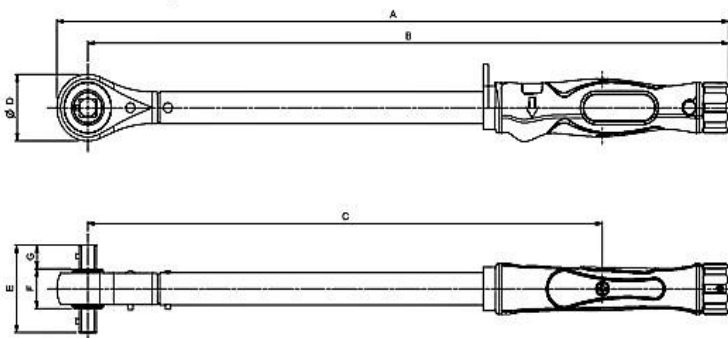
Carefully selected and tested materials replace the ferrous components present in standard torque wrenches, thereby giving an extremely low magnetic footprint. Being based on the TT range of torque wrenches means that they also retain the high standards of Norbar's other torque wrenches. Perfect for MRI scanner applications.

4	ADJUSTABLE - DUAL SCALE
13900	TTi20 1/4" Non-Mag, 4 - 20 N-m, 35 - 180 lbf-in
13901	TTi20 3/8" Non-Mag, 4 - 20 N-m, 35 - 180 lbf-in
13902	TTi50 3/8" Non-Mag, 10 - 50 N-m, 8 - 35 lbf-ft
13903	TTi50 1/2" Non-Mag, 10 - 50 N-m, 8 - 35 lbf-ft

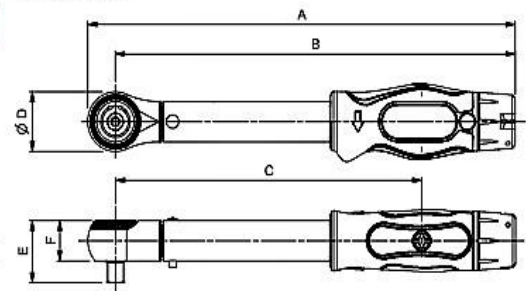
TT Torque Wrenches

Model	TTi20	TTi50	TTi100	TTi200	TTi300	TTf20	TTfth20	TTfth50
Part Number/s	13830 13831 13832 13833 13834 13835 13900 13901	13841 13842 13843 13844 13845 13846 13902 13903	13723	13724	13725	13836 13837 13838	13839 13840	13847 13848
Dimensions (mm)	A	232	328	401	501	607	225	214
	B	217	313	378	478	581	217	204
	C	166	263	284	384	487	166	153
	∅D	30	30	46	46	52	20	22
	E	31	31	60	60	60	28	17
	F	20	20	28	28	28	18	N/A
Weight (Kg)	0.5	0.7	1.1	1.5	1.8	0.5	0.4	0.6

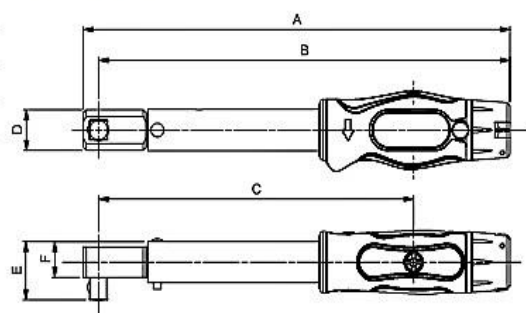
TTi Tethered Torque Wrench



TTi Ratchet



TTf Fixed Head



TTfth Female Torque Handle

