

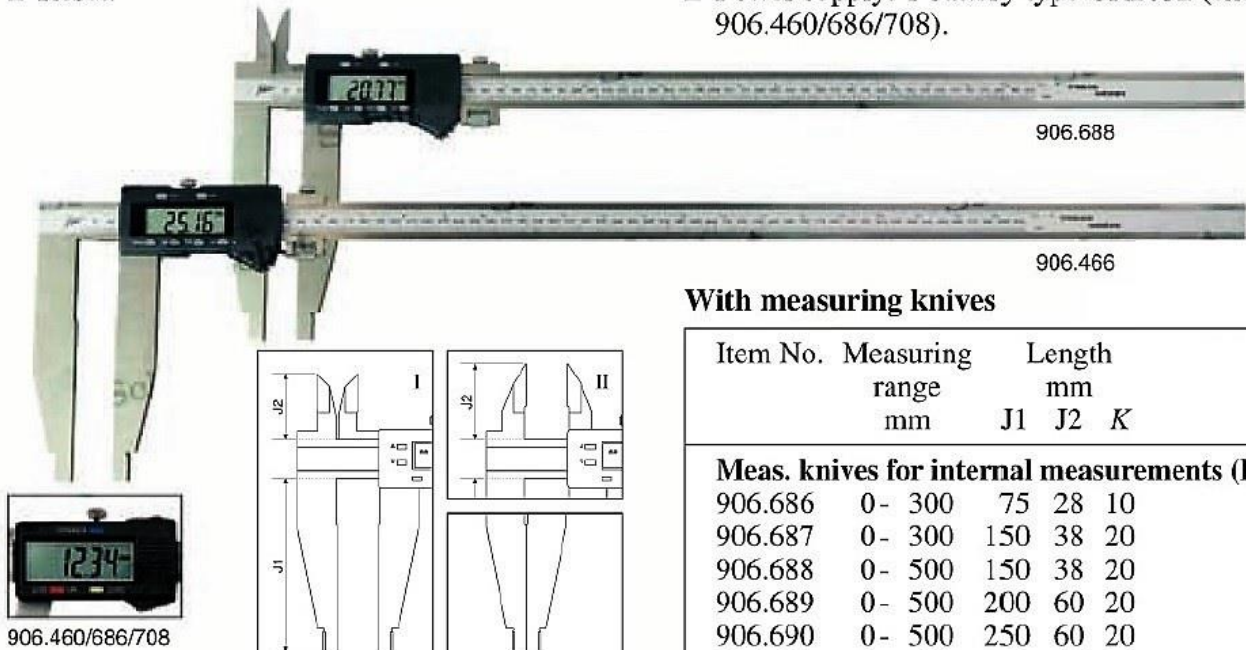


## Absolute digital workshop calipers

- Measuring range: 0-2000 mm.
- Resolution: 0.01 mm.
- mm/inch conversion.
- ABS/INC switchable (except 906.460/686/708).
- On/off switch.
- Reset.



- Preset (except 906.460/686/708).
- Memory for measuring values when the display is switched off.
- Fine adjustment.
- Rounded jaw ends for internal measurements.
- Locking screw.
- Power supply: 1 battery type CR2032 (except 906.460/686/708).



906.460/686/708

### Without measuring knives

Item No.	Measuring range mm	Length mm	
		J1	K
906.708	0- 300	75	10
906.709	0- 300	150	20
906.465	0- 500	150	20
906.470	0- 500	200	20
906.718	0- 500	250	20
906.466	0- 600	150	20
906.471	0- 600	200	20
906.719	0- 600	300	20
906.467	0-1000	200	20
906.472	0-1000	300	20
906.468	0-1500	200	20
906.473	0-1500	300	20
906.469	0-2000	200	20
906.474	0-2000	300	20

Item No.	Description
495.157	Spare battery type CR2032
836.535	Spare battery type V357

### With measuring knives

Item No.	Measuring range mm	Length mm		
		J1	J2	K
<b>Meas. knives for internal measurements (I):</b>				
906.686	0- 300	75	28	10
906.687	0- 300	150	38	20
906.688	0- 500	150	38	20
906.689	0- 500	200	60	20
906.690	0- 500	250	60	20
906.691	0- 600	150	45	20
906.692	0- 600	200	60	20
906.693	0- 600	300	60	20
906.694	0-1000	200	60	20
906.695	0-1000	300	60	20
906.696	0-1500	200	60	20
906.697	0-1500	300	60	20
906.698	0-2000	200	60	20
906.699	0-2000	300	60	20

### Meas. knives for external measurements (II):

906.460	0- 300	75	38	10
906.758	0- 300	150	56	20
906.461	0- 500	150	56	20
906.759	0- 500	200	67	20
906.760	0- 500	250	80	20
906.761	0- 600	150	56	20
906.762	0- 600	200	67	20
906.763	0- 600	300	80	20
906.462	0-1000	200	67	20
906.764	0-1000	300	80	20
906.463	0-1500	200	80	20
906.765	0-1500	300	80	20
906.464	0-2000	200	80	20
906.766	0-2000	300	80	20

## Digital lightweight workshop calipers

Lightweight digital aluminum workshop calipers with both measuring jaws moveable. Hardened stainless steel measuring jaws, with rounded jaw ends for internal and external measurements. Excellent sliding properties due to double prismatic joint.

- Measuring range: 0 - 800 mm.
- Resolution: 0.01 mm.
- mm/inch conversion.
- On/off switch.
- Reset.
- Jaw length standard delivered jaw: 90 mm.
- Length meas. knives for external measurements: 40 mm.
- Locking screws.
- Delivery in a case with a manufacturer's certificate.
- Power supply: 1 battery type V357.

**NEW**



Item No.	Measuring range/mm	Accuracy mm	Weight kg
853.200	0 - 300	0.04	0.5
853.201	0 - 500	0.05	0.6
853.202	0 - 800	0.06	0.8

**Options:**

853.219 <sup>1</sup>	Pair measuring jaws 90 mm
853.220	Pair measuring jaws 125 mm
853.221	Pair measuring jaws 150 mm
836.535	Spare battery

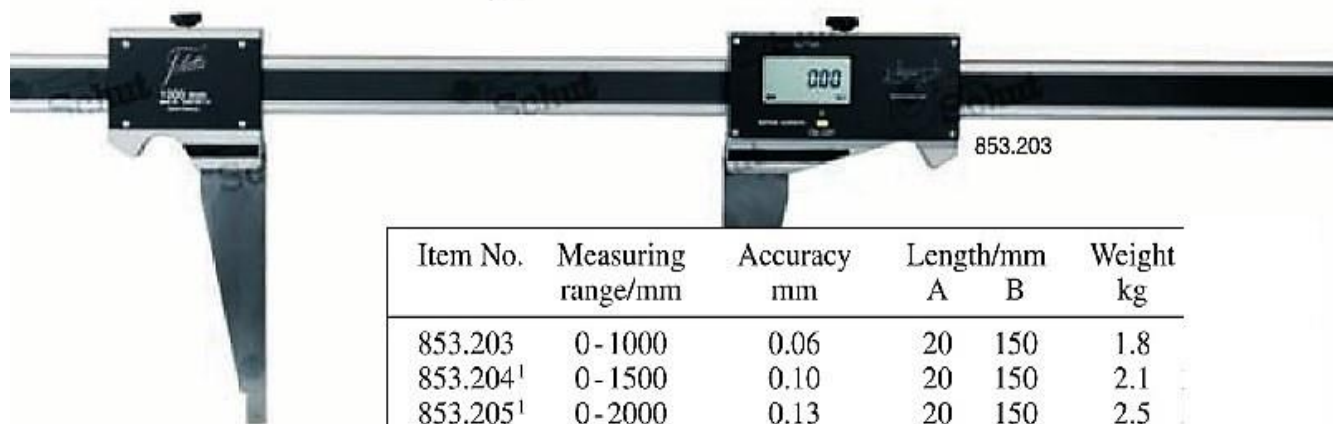
<sup>1</sup> Standard included.

## Digital lightweight workshop calipers

Lightweight digital aluminum workshop calipers with both measuring jaws moveable. Hardened stainless steel measuring jaws, with rounded jaw ends for internal and external measurements. Excellent sliding properties due to double prismatic joint.

- Measuring range: 0 - 2000 mm.
- Resolution: 0.01 mm.
- On/off switch.
- Reset.
- Locking screws.
- Delivery in a case with a manufacturer's certificate.
- Power supply: 1 battery type CR2032.

**NEW**



Item No.	Measuring range/mm	Accuracy mm	Length/mm		Weight kg
			A	B	
853.203	0 - 1000	0.06	20	150	1.8
853.204 <sup>1</sup>	0 - 1500	0.10	20	150	2.1
853.205 <sup>1</sup>	0 - 2000	0.13	20	150	2.5

**Option:**  
495.157 Spare battery

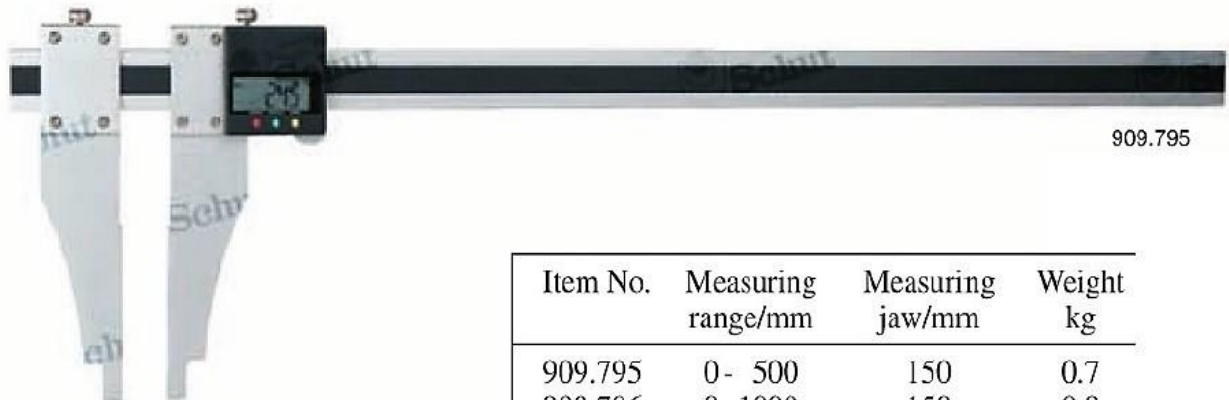
<sup>1</sup> Delivery ex Groningen, Netherlands.



## Digital aluminum workshop calipers

Lightweight digital aluminum workshop calipers with both measuring jaws moveable.

- Measuring range: 0 - 1500 mm.
- Resolution: 0.1 mm.
- mm/inch conversion.
- ABS/INC switchable.
- On/off switch.
- Reset.
- Aluminum scale with hollow construction (8 x 30 mm).
- Both of the measuring jaws can be moved.
- Power supply: 1 battery type V357.

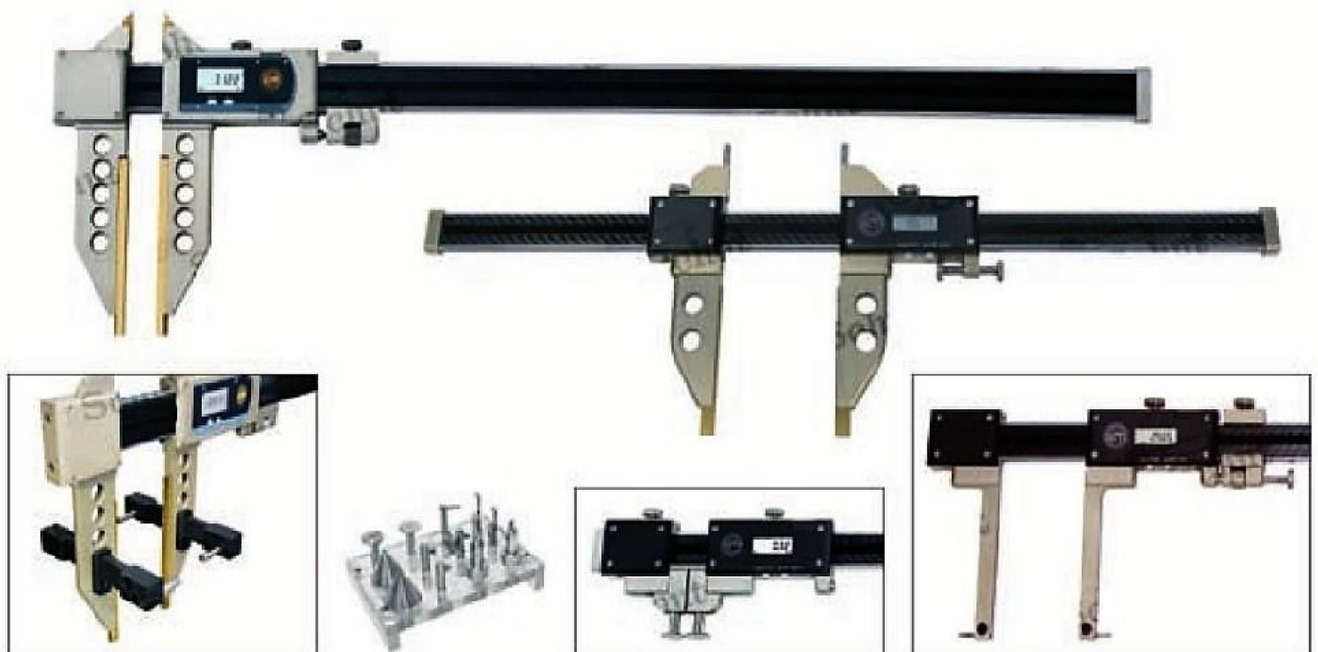


Item No.	Measuring range/mm	Measuring jaw/mm	Weight kg
909.795	0 - 500	150	0.7
909.796	0 - 1000	150	0.9
909.797	0 - 1500	150	1.1

**Option:**  
836.535 Spare battery

## Digital lightweight carbon workshop calipers

Different models are available in many lengths. Calipers can be supplied with for instance extra long measuring jaws, TiN coated or hardened measuring jaws or both measuring jaws moveable. There are also models where special inserts or slide on probes can be used for measuring for instance center distances, grooves or diameters.



## TESA TWIN-Cal digital workshop calipers IP67

New generation IP67 workshop calipers with measuring ranges up to 1000 mm, TESA TWIN-Cal, with an absolute measuring system and a “soft touch” grip. These workshop calipers have a unique connectivity concept TESA LINK. All TWIN-Cal workshop calipers are equipped with a data output. Connect the TESA Link Connector to the TWIN-Cal for “plug and play” (wireless) data transfer. Hardened stainless steel measuring jaws, with rounded jaw ends for internal and external measurements. Available with or without measuring knives for internal or external measurements.

- Measuring range: 0- 1000 mm.
- Resolution: 0.01 mm.
- mm/inch conversion.
- Digit height: 11 mm.
- Automatic switch-off.
- Reset.
- Hold function.
- Max. measuring speed: approx. 2.5 m/s.
- Locking screw.
- Protection: IP67 (also in combination with data output cable).
- Standard supplied with data output (USB, Digimatic or wireless).
- Delivery in a case with an inspection report and a declaration of conformity.
- Power supply: 1 battery type CR2032.



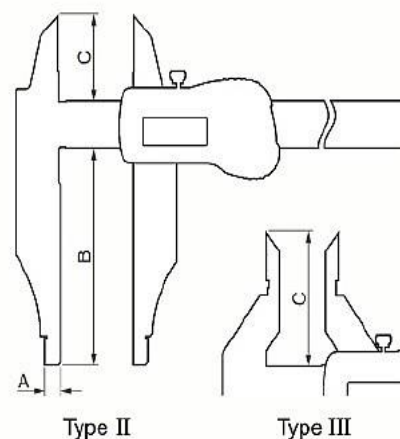
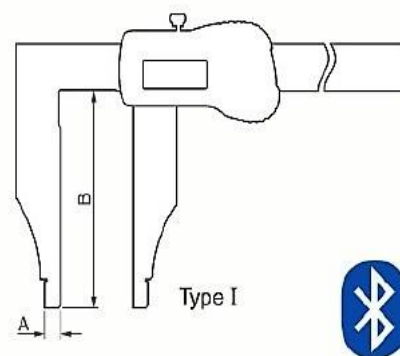
Item No.	Measuring range/mm	Length/mm		
		A	B	C
<b>Without measuring knives (I):</b>				
783.335	0- 200	5	80	–
783.337	0- 300	5	90	–
783.338	0- 500	10	150	–
783.339	0- 600	10	150	–
783.340	0- 800	10	150	–
783.341	0-1000	10	150	–

<b>With measuring knives for external measurements (II):</b>				
783.342	0- 200	5	80	30
783.344	0- 300	5	90	37
783.345	0- 500	10	150	60
783.346	0- 600	10	150	60
783.347	0- 800	10	150	56
783.348	0-1000	10	150	56

<b>With measuring knives for internal measurements (III):</b>				
783.349	0- 250	5	80	54

### Options:

- 495.157 Spare battery
- 783.301<sup>1</sup> TESA Link Connector USB
- 783.302<sup>1</sup> TESA Link Connector Digimatic
- 783.555<sup>1</sup> TESA Link Connector Bluetooth



<sup>1</sup> The TESA Link Connector will replace the battery cover.

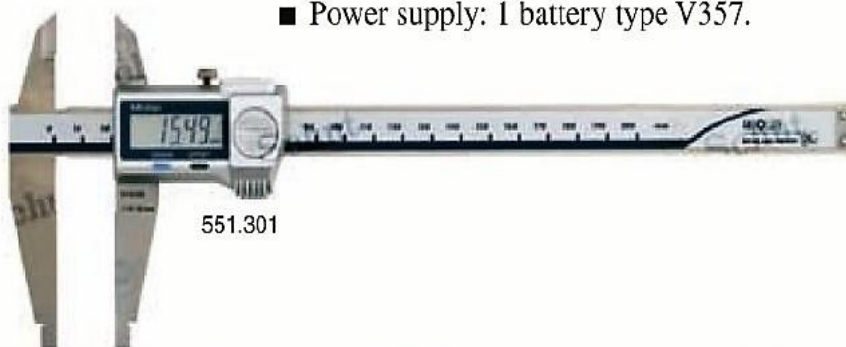
## Mitutoyo Absolute Digimatic workshop calipers

Series large digital calipers with the unique Absolute measuring system to prevent inaccuracy because of an incorrect zero position. The one-time setting of origin remains as the absolute zero position until the battery has to be changed.

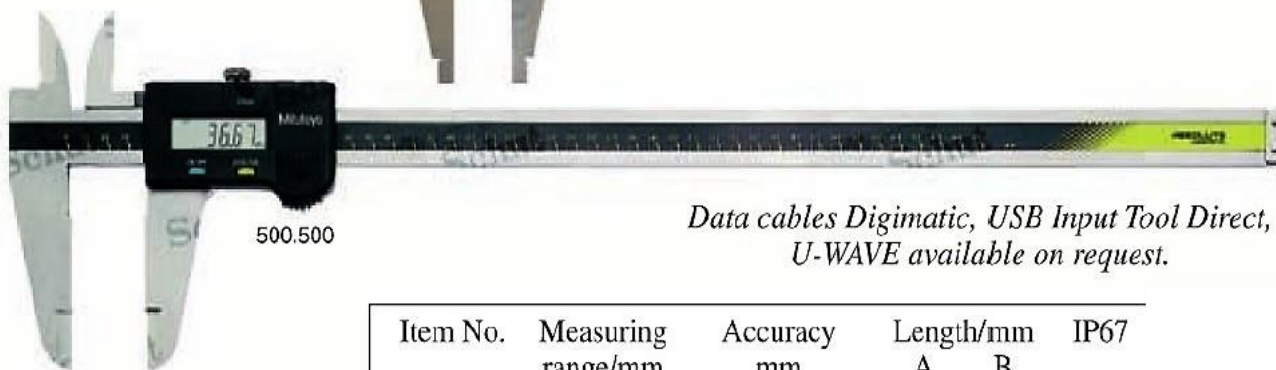
- Measuring range: 0-1000 mm.
- Resolution: 0.01 mm.
- ABS/INC switchable.
- Digimatic data output.
- On/off switch.
- Reset.
- Max. measuring speed: unlimited.
- With or without measuring knives.
- Locking screw.



- Types I and II with rounded jaw ends for internal measurements:  
measuring range  $\leq 300$  mm: from 10 mm,  
measuring range  $\geq 450$  mm: from 20 mm.
- Protection: IP40 or IP67.
- Conforms to factory standard.
- Delivery in a case.
- Power supply: 1 battery type V357.

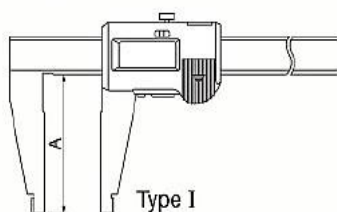


551.301

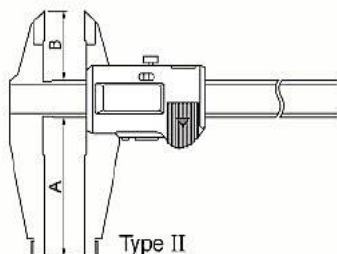


500.500

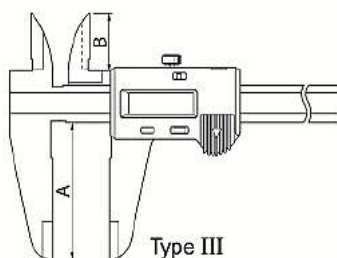
*Data cables Digimatic, USB Input Tool Direct, U-WAVE available on request.*



Type I



Type II



Type III

Item No.	Measuring range/mm	Accuracy mm	Length/mm		IP67
			A	B	
<b>Without measuring knives (I):</b>					
550.301 <sup>1</sup>	0- 200	$\pm 0.03$	60	-	IP67
550.331 <sup>2</sup>	0- 300	$\pm 0.04$	75	-	IP67
550.203	0- 450	$\pm 0.05$	100	-	-
550.205	0- 600	$\pm 0.05$	100	-	-
550.207	0-1000	$\pm 0.07$	140	-	-
<b>With measuring knives for external measurements (II):</b>					
551.301 <sup>1</sup>	0- 200	$\pm 0.03$	60	30	IP67
551.331 <sup>2</sup>	0- 300	$\pm 0.04$	90	40	IP67
551.204	0- 500	$\pm 0.06$	150	56	-
551.206	0- 750	$\pm 0.06$	150	56	-
551.207	0-1000	$\pm 0.07$	150	56	-
<b>With measuring knives for internal measurements (III):</b>					
500.500	0- 450	$\pm 0.05$	90	38	-
500.501	0- 600	$\pm 0.05$	90	38	-
500.502	0-1000	$\pm 0.07$	130	50	-
<b>Option:</b>					
836.535	Spare battery				

<sup>1</sup> Offset function.

<sup>2</sup> Offset and preset function.

## Universal digital calipers

Large universal digital calipers made of stainless steel for internal and external measurements. In combination with these universal calipers many inserts are available e.g. for measuring thread. See accessories universal digital calipers. By intake with M2.5 thread very many inserts can be used. Please see the dial indicator accessories section for these inserts.

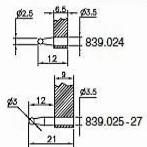
## Universal digital calipers

- Internal measuring range: 24-650 mm.
- External measuring range: 0-570 mm.
- Resolution: 0.01 mm.
- Accuracy:  $\pm 0.02$  or  $\pm 0.03$  mm.
- mm/inch conversion.
- Opto-RS232C data output.
- On/off switch.
- Reset/preset.
- Interchangeable measuring inserts.
- Many extensions and inserts available.
- Protection: IP65.
- Conforms to factory standard.
- Delivery in a case with two inserts, two insert holders and a measuring report.
- Power supply: 1 battery type CR2032.



Item No.	Measuring range/mm		Accuracy mm	Jaw length mm
	internal	external		
839.024 <sup>1</sup>	24-250	0-210	$\pm 0.02$	64
839.025 <sup>2</sup>	42-350	0-270	$\pm 0.03$	103
839.026 <sup>2</sup>	42-450	0-370	$\pm 0.03$	103
839.027 <sup>2</sup>	42-650	0-570	$\pm 0.03$	103

Options:  
 495.157 Spare battery  
 781.887 Opto-RS232C cable 9p (2 m)



<sup>1</sup> Inserts 837.820 and insert holders standard included.  
<sup>2</sup> Inserts 837.821 and insert holders standard included.

## Universal digital calipers with dial indicator

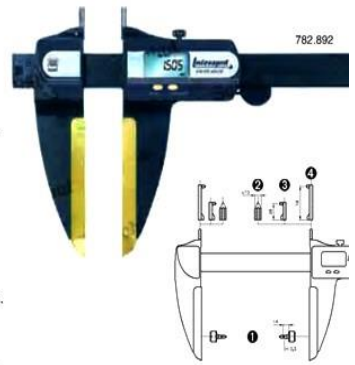
- Internal measuring range: 20-500 mm.
- External measuring range: 0-430 mm.
- Resolution: 0.01 mm.
- Dial indicator: measuring range: 0-5 mm, graduation: 0.01 mm.
- mm/inch conversion.
- Opto-RS232C data output.
- On/off switch.
- Reset/preset.
- Interchangeable measuring inserts.
- Fine adjustment and locking screw.
- Protection: IP65.
- Conforms to factory standard.
- Delivery in a case with a dial indicator, a removable bridge, two inserts  $\phi 3$  mm, two insert holders and a measuring report.
- Power supply: 1 battery type CR2032.



## Interapid Light universal digital workshop calipers

Lightweight workshop calipers with the patented inductive measuring system and a large measuring range. Flawless guiding and high shock resistance. For internal as well as external measurements.

- Measuring range: 0-3050 mm.
- Resolution: 0.01 mm.
- mm/inch conversion.
- Opto-RS232C data output, bidirectional.
- On/off switch.
- Reset/preset.
- Hold, min/max and tolerance functions.
- Max. measuring speed: 1.5 m/s.
- Two reference memories (REF I and REF II).
- Jaw length: 150 mm.
- Reset/preset.
- Left measuring jaw fixed (for the models up to 600 mm) or slidable.
- Hardened steel measuring jaws with a titanium nitride (TiN) coating.
- Measuring pins:  $\phi 5$  mm. Tungsten carbide inserts for various applications available.
- Aluminum scale with hollow construction, reinforced by two hardened stainless steel rods.
- Protection: IP40.
- DIN 862.
- Accuracy conforms to factory standard.
- Delivery with an inspection report (models up to 1500 mm) and a declaration of conformity.
- Power supply: 1 battery type CR2032.
- Authentic Swiss made product.



Item No.	Type	Measuring range/mm	Accuracy mm	Repeatability mm	Total length/mm	Weight kg
782.891	Light 300	0-330	$\pm 0.03$	0.02	618	1.1
782.859	Light 600	0-630	$\pm 0.04$	0.02	918	1.3
782.892	Light 1000	0-1025	$\pm 0.06$	0.02	1306	1.6
782.893	Light 1500	0-1525	$\pm 0.15$	0.02	1806	2.0
782.894	Light 2000	0-2040	$\pm 0.25$	0.03	2306	2.3
782.895	Light 2500	0-2545	$\pm 0.35$	0.03	2806	2.6
782.896	Light 3000	0-3050	$\pm 0.45$	0.04	3306	3.0

- Options:  
 495.157 Spare battery  
 781.887 Opto-RS232C cable 9p, monodirectional (2 m)  
 782.943 Wooden case for Interapid Light 300  
 782.944 Wooden case for Interapid Light 600  
 782.945 Wooden case for Interapid Light 1000  
 782.946 Wooden case for Interapid Light 1500  
 782.939 ① Pair of insert holders with M2.5 thread  
 782.940 ② Pair of hardened steel cone probes 60°, for center distances > 10 mm  
 782.941 ③ Pair of dial indicator insert holders for groove measurements,  $l=28$  mm  
 782.942 ④ Pair of dial indicator insert holders for groove measurements,  $l=58$  mm