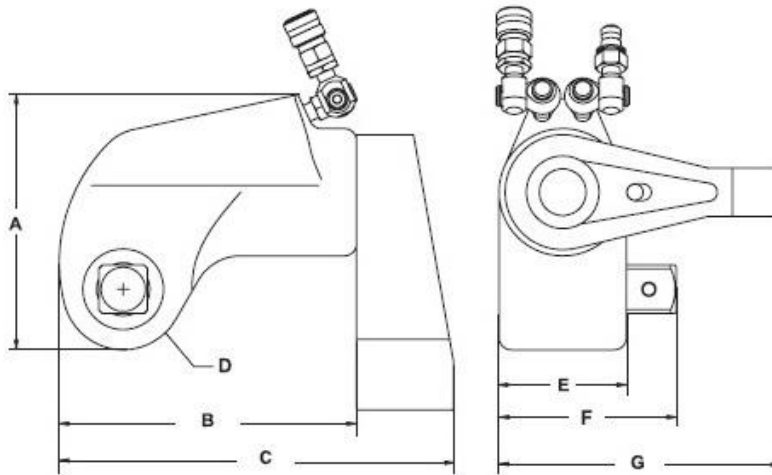




COD		N.m	Ft.lbs		Precisión Accuracy	Repit.	Ciclo de trabajo Cycle
56578	3/4"	172-1722	127-1270	1,7	±3%	100%	100%
56572	1"	447-4514	330-3330	4,0			
56579	1.1/2"	1003-10031	740-7400	8,5			
56580		1491-14925	1100-11010	13			
56581	2.1/2"	2630-27964	1940-20625	28			
56582		3687-36872	2720-27200	32			
56583		7862-78625	5800-58000	60			

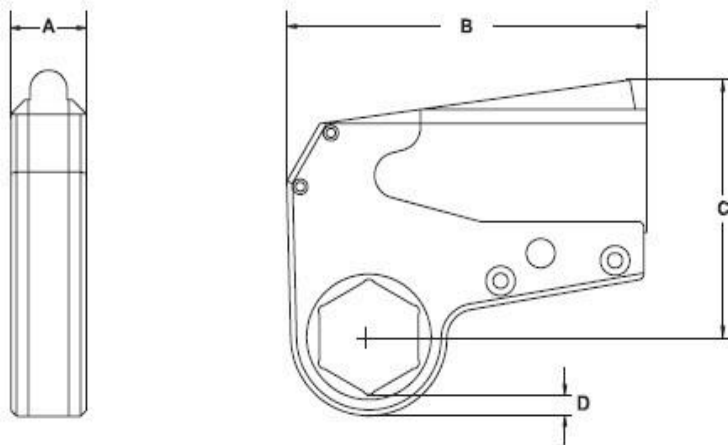


COD	A (mm)	B (mm)	C (mm)	D (mm)	E (mm)	F (mm)	G (mm)
56578	105	120	160	25	50	70	110
56572	135	155	210	33	65	95	150
56579	180	210	280	45	90	130	200
56580	200	230	310	49	100	140	220
56581	230	240	410	60	125	180	280
56582	260	310		65	135	190	300
56583	290	390	520	80	165	230	360

UNIDAD DE IMPULSIÓN / DRIVE UNIT
 UNIDADE DE IMPULSÃO



COD	N.m	Ft.lbs	Kg	Kg	Precisión Accuracy	Repit.	Ciclo de trabajo Cicle
56586	61-759	45-560	0,5	0,5	±3%	100%	100%
56573	260-2614	192-1928	1,5	1,0 - 1,5			
56587	535-5335	395-3950	2,7	2,4 - 3,4			
56588	1125-11699	830-8630	5	5,5 - 6,5			
56589	2115-22503	1560-16600	7,5	9,5 - 13			
56590	4365-48335	3220-35650	12	13 - 18			
56591	6575-64239	4850-47380	13				



COD	A (mm)	B (mm)	C (mm)	D (mm)
56586	20	110	85	6
56573	32	165	100	9
56587	41	200	145	12
56588	50	260	180	14
56589	65	330	195	17
56590	80	400	240	24
56591	125	430	260	

CASSETTES HEXAGONALES / HEXAGONAL LINKS MATRIZES HEXAGONAIS



mm	inch	56586	56573	56587	56588	56589	56590 / 56591
	1/2	56594					
13		56595					
	9/16	56596					
14		56597					
	5/8	56598					
15		56599					
17		56600					
	11/16	56601					
19	3/4	56602	56621				
	13/16	56603	56622				
21		56604					
22	7/8	56605	56623				
	15/16	56606	56624				
24		56607	56625				
	1	56608	56626	56654			
27	1 1/16	56609	56627	56655			
	1 1/8	56610	56628	56656			
30	1 3/16	56611	56629	56657			
	1 1/4	56612	56630	56658			
32		56613	56631	56659			
	1 5/16	56614	56632	56660			
35	1 3/8	56615	56633	56661			
36		56616	56634	56662			
	1 7/16	56617	56635	56663			
38	1 1/2	56618	56574	56664			
	1 9/16	56619	56636	56665			
41	1 5/8	56620	56637	56666			
	1 11/16		56638	56667			
	1 3/4		56639	56668			
46	1 13/16		56640	56669			
	1 7/8		56641	56670	56692		
49	1 15/16		56642	56671	56693		
50			56643	56672	56694		
	2		56644	56673	56695		
	2 1/16		56645	56674	56696		
	2 1/8		56646	56675	56697		
55	2 3/16		56647	56676	56698	56733	
	2 1/4		56648	56677	56699	56734	
	2 5/16		56649	56678	56700	56735	
60	2 3/8		56650	56679	56701	56736	
	2 7/16		56651	56680	56702	56737	
	2 1/2		56652	56681	56703	56738	
65	2 9/16		56653	56682	56704	56739	
	2 5/8			56683	56705	56740	
	2 11/16			56684	56706	56741	
70	2 3/4			56685	56707	56742	
	2 13/16			56686	56708	56743	
	2 7/8			56687	56709	56744	
75	2 15/16			56688	56710	56745	
	3			56689	56711	56746	
	3 1/16			56690	56712	56747	
	3 1/8			56691	56713	56748	56791
80					56714	56749	56792
	3 3/16				56715	56750	56793
	3 1/4				56716	56751	56794
	3 5/16				56717	56752	56795
85					56718	56753	56796
	3 3/8				56719	56754	56797
	3 7/16				56720	56755	56798
	3 1/2				56721	56756	56799
90					56722	56757	56800
	3 9/16				56723	56758	56801
	3 5/8				56724	56759	56802
	3 11/16				56725	56760	56803
95	3 3/4				56726	56761	56804
	3 13/16				56727	56762	56805
	3 7/8				56728	56763	56806
100	3 15/16				56729	56764	56807
	4				56730	56765	56808
	4 1/16				56731	56766	56809
105	4 1/8				56732	56767	56810
	4 3/16					56768	56811

mm	inch	56589	56590 / 56591
	4 1/4	56769	56812
	4 5/16	56770	56813
110		56771	56814
	4 3/8	56772	56815
	4 7/16	56773	56816
	4 1/2	56774	56817
115		56775	56818
	4 9/16	56776	56819
	4 5/8	56777	56820
	4 11/16	56778	56821
120		56779	56822
	4 3/4	56780	56823
	4 13/16	56781	56824
	4 7/8	56782	56825
125		56783	56826
	4 15/16	56784	56827
	5	56785	56828
	5 1/16	56786	56829
130	5 1/8	56787	56830
	5 3/16	56788	56831
	5 1/4	56789	56832
135	5 5/16	56790	56833
	5 3/8		56834
	5 7/16		56835
140	5 1/2		56836
	5 9/16		56837
	5 5/8		56838
	5 11/16		56839
145			56840
	5 3/4		56841
	5 13/16		56842
	5 7/8		56843
150			56844
	5 15/16		56845
	6		56846
	6 1/16		56847
155			56848
	6 1/8		56849
	6 3/16		56850
	6 1/4		56851
160			56852
	6 5/16		56853
	6 3/8		56854
	6 7/16		56855
165	6 1/2		56856
	6 9/16		56857
	6 5/8		56858
170	6 11/16		56859
	6 3/4		56860
	6 13/16		56861
	6 7/8		56862
175			56863
	6 15/16		56864
	7		56865
	7 1/16		56866
180			56867
	7 1/8		56868
	7 3/16		56869
	7 1/4		56870
185			56871
	7 5/16		56872
	7 3/8		56873
	7 7/16		56874
190			56875
	7 1/2		56876
	7 9/16		56877
	7 5/8		56878
195	7 11/16		56879
	7 3/4		56880
	7 13/16		56881
200	7 7/8		56882

BOMBAS HIDRÁULICAS DE ACCIONAMIENTO ELÉCTRICO / ELECTRIC DRIVE



COD	kw	V	PUERTOS / PORTS	CAP L	Kg SIN ACEITE / WITHOUT OIL	Para uso con: For use with:
56888	0,8	115VAC	1	5,5	22	56572, 56573, 56578, 56579, 56586, 56587, 56588
56889		230VAC				

Especificaciones técnicas / Technical specification / Détails techniques

Caudal / Flow rate / Débit	8,6l/min. @ 75bar 0,75l/min @ 700bar
Botón de control de presión / Pressure control button / Bouton de contrôle de pression	•
Mando de control remoto (4m) / Remote pendant (4m) / Commande à distance (4m)	•
Manguera hidráulica doble (4m) / Tinline Hydraulic hose (4m) / Tuyau hydraulique double (4m)	•



COD	kw	V	PUERTOS / PORTS	CAP L	Kg SIN ACEITE / WITHOUT OIL	Para uso con: For use with:
56885	1,1	115VAC	1	5,5	29	56572, 56573, 56578, 56579, 56580, 56581, 56582, 56583, 56586, 56587, 56588, 56589, 56590, 56591
56575		230VAC				
56886	115VAC	4	7,5	30		
56887	230VAC					

Especificaciones técnicas / Technical specification / Détails techniques

Caudal / Flow rate / Débit	11,5l/min. @ 75bar 0,9l/min @ 700bar
Botón de control de presión / Pressure control button / Bouton de contrôle de pression	•
Mando de control remoto (4m) / Remote pendant (4m) / Commande à distance (4m)	•
Manguera hidráulica doble (4m) / Tinline Hydraulic hose (4m) / Tuyau hydraulique double (4m)	•